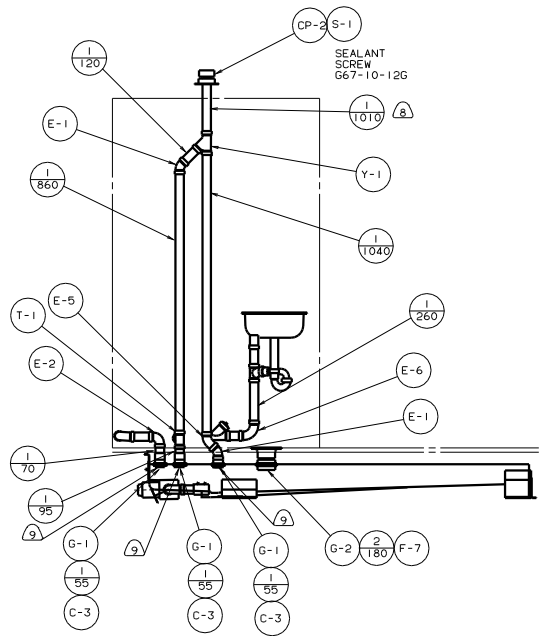
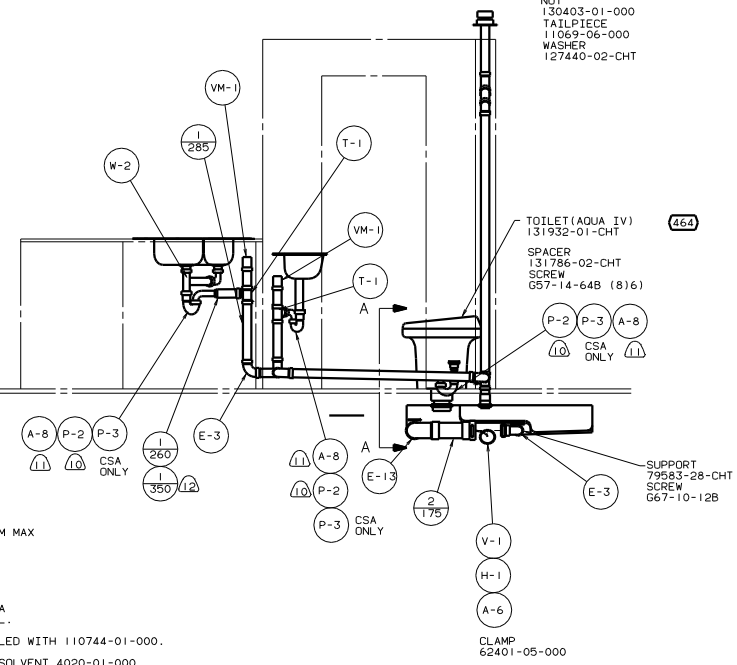


0
FRONT AXLE

SHOWER INSTL-ENCLOSURE
121478-01-000
STRAINER
66440-01-000
SEALER
69640-01-000
NUT
130403-01-000
TAILPIECE
11069-06-000
WASHER
127440-02-CHT



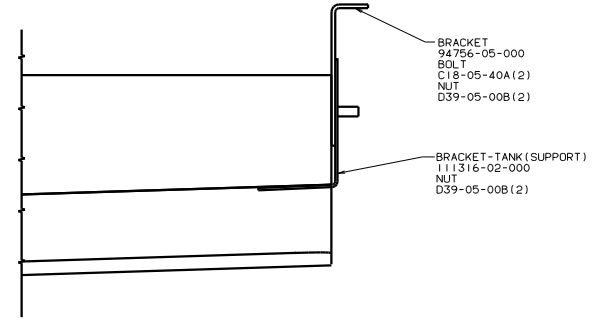
- 13 SECURE PIPES TO CABINET USING WIRE TIE 108046-02-000 AND SCREW G67-10-12U(8).
- 12 USE WITH CSA.
- 11 NOT USED ON CANADIAN UNITS.
- 10 TRIM P-TRAP TO FIT.
- 9 SECURE VENT TUBES TO FLOOR WITH BRACKET 95061-01-000 (2). CLAMP 62401-02-000, SCREW G67-10-12B (2).
- 8 VENT PIPE MUST PROJECT 51 MM MIN AND 63.5 MM MAX ABOVE ROOF FOR PROPER FIT AND FUNCTION.
- 7. SEE DWG 61607-01-000 FOR INSTL OF GROMMETS.
- 6. SEAL ALL AROUND SHOWER WITH SILICONE.
- 5. FOR CAN UNITS EACH HOLDING TANK SHALL HAVE A CSA APPROVAL STAMPED NEAR THE TANK APPROVAL.
- 4. ALL EXTERIOR OPENINGS AROUND PIPE TO BE SEALED WITH 110744-01-000.
- 3. ALL PIPE AND FITTINGS TO BE ASSEMBLED WITH SOLVENT 4020-01-000.
- 2. SLOPE OF TRAP ARM MUST BE 6 PER 305 MINIMUM.
- 1. SLOPE OF HORIZONTAL PIPING TO BE 6 PER 305 MINIMUM.

464

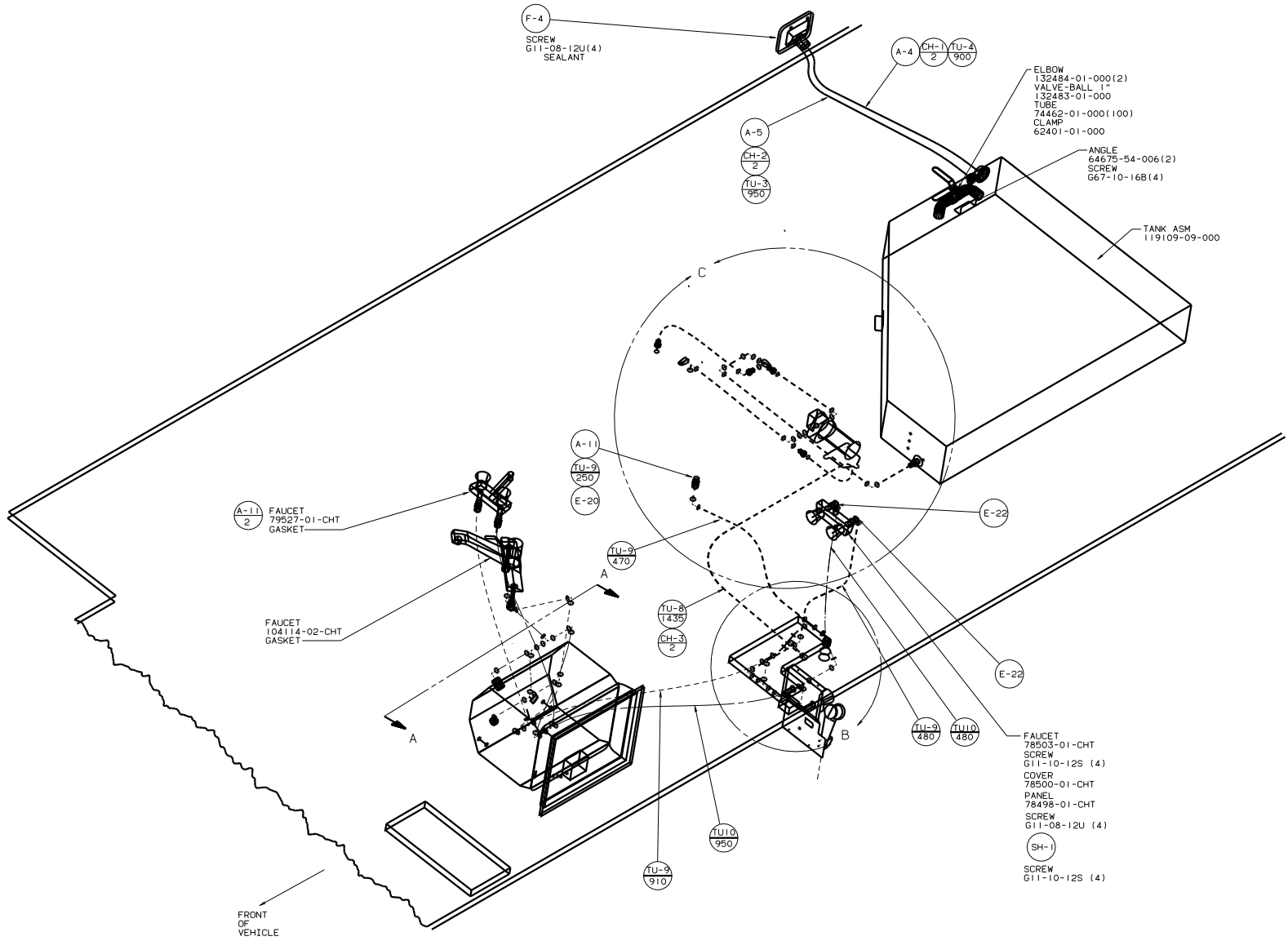
464 TOILET

X-X FOR DRAINAGE CALLOUTS SEE DWG NO. 116229-01-000

WINNEBAGO 96 431W0			
OF IN	DATE	UNSPECIFIED TOLERANCES ARE:	MATERIAL
OMP	DATE	HALF DIM (R)	
PIE	DATE	ONE-PLACE (R, R1)	
D/E	DATE	TWO-PLACE (R, R1)	
DATE	DATE	ANGLE	
DATE	DATE	THRU HOLE	
DATE	DATE	PROJECTION	
LANOT 431W06	TITLE	DRAINAGE SYSTEM INSTL	
REV #	SCALE	DO NOT SCALE DIMENSIONS	FIG NO
ALL DIMENSIONS ARE IN MILLIMETERS	SHEET 1 OF 2	1:6	121394



VIEW A-A



A-11 FAUCET 79527-01-CHT GASKET

FAUCET 104114-02-CHT GASKET

FAUCET 78503-01-CHT
 SCREW G11-10-12S (4)
 COVER 78500-01-CHT
 PANEL 78498-01-CHT
 SCREW G11-08-12U (4)
 SH-1
 SCREW G11-10-12S (4)

FRONT OF VEHICLE

- 64R EXTERIOR WASH STATION
- 611 WTR HTR-RR AUTO/MOTORAID
- 63F WATER HEATER-ELEC. IGNITION

3. ALL TUBING TO BE SECURED AT 1200 INTERVALS MAX WITH CLAMP 10495-01-000 OR CLIP 91951-01-000 AND SCREW G67-10-12B.
2. TUBING TO BE INSTALLED WITH SUFFICIENT SLOPE TO PROVIDE DRAINAGE TO NEAREST VALVE.
1. PLASTIC FITTINGS TO BE SEALED WITH SEALANT 84456-01-000.

LEGEND	
HOT	=====
COLD	*****

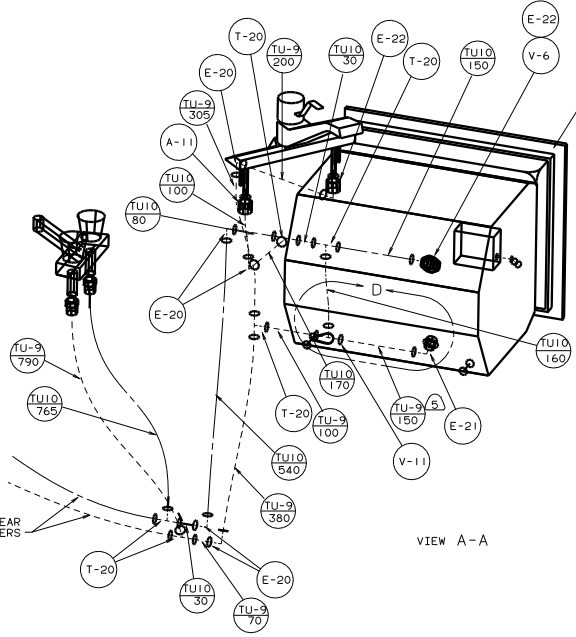
X-X FOR WATER CALLOUTS SEE DWG NO. 116230-01-000

WINNEBAGO 00 431A

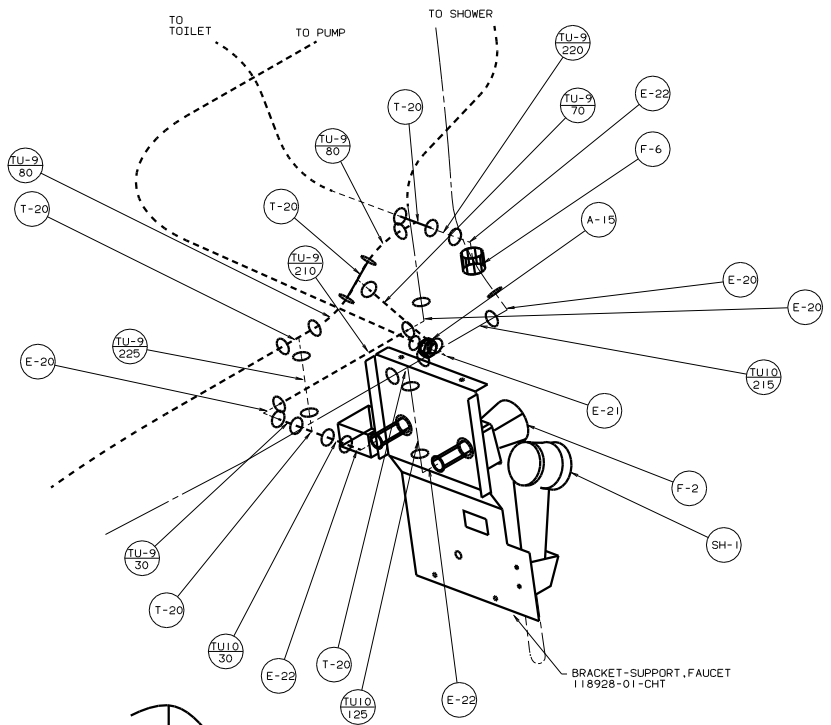
OF IN	DATE	UNSPECIFIED TOLERANCES ARE:	MATERIAL
CHP	DATE	WHOLE DIM (IN)	F
DYE	DATE	ONE-PLACE (IN.X1)	.
D/E	DATE	TWO-PLACE (IN.XX)	.
D/E	DATE	THREE-PLACE (IN.XXX)	.
DATE	DATE	ANGLE	
DATE	DATE	INDUS. WELD	
DATE	DATE	PRODUCTION	

LABOR 431A TITLE WATER SYSTEM INSTL
 REF: 123311 M 1
 SHEET 1 OF 2 133013

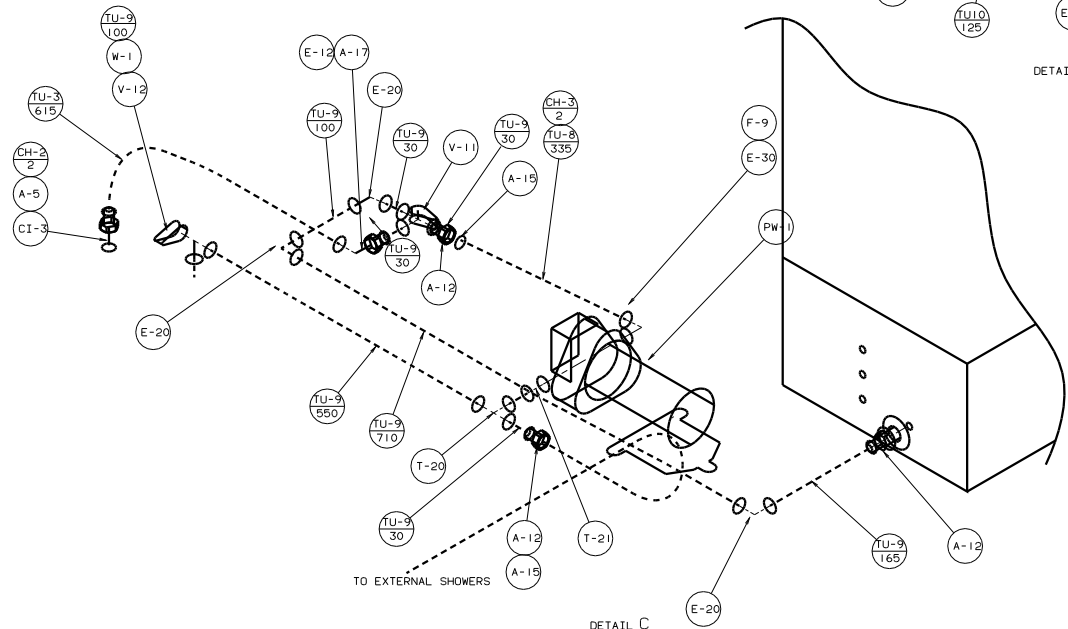
WATER HEATER
 51391-03-000
 (ELECTRONIC IGNITION)
 51393-01-000
 (WITH MOTOR AID) (611)
 DOOR
 52009-06-000
 AL EXTR
 2726-01-210
 2726-01-212 (2)
 SCREW
 G39-10-169 (18)
 SEALANT



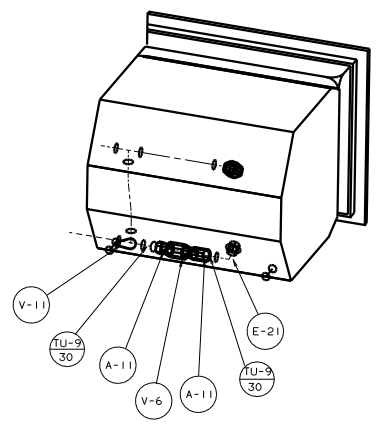
VIEW A-A



DETAIL B



DETAIL C



VIEW D (611)
WITH MOTOR AID

00 431A

TITLE		WATER SYSTEM INSTL	
30	NO SCALE	1/8"	1/8"
SHEET 2 OF 2		REV	133013