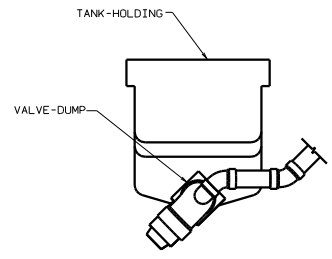
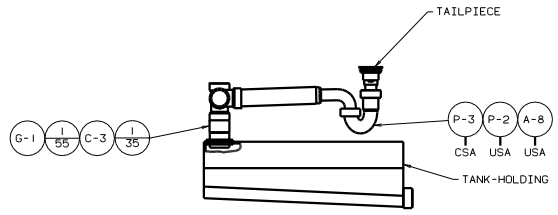
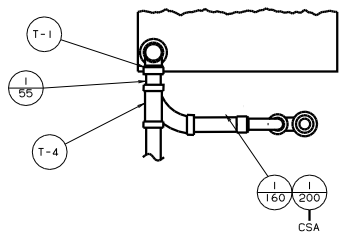
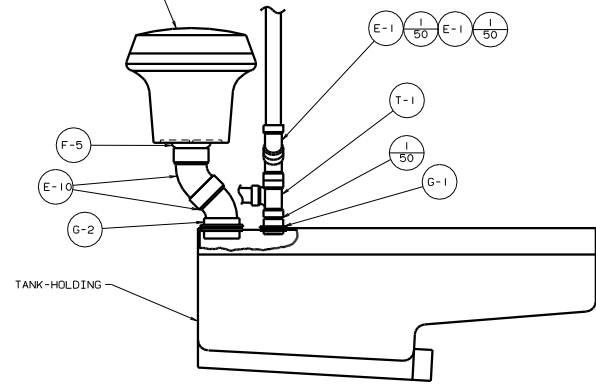
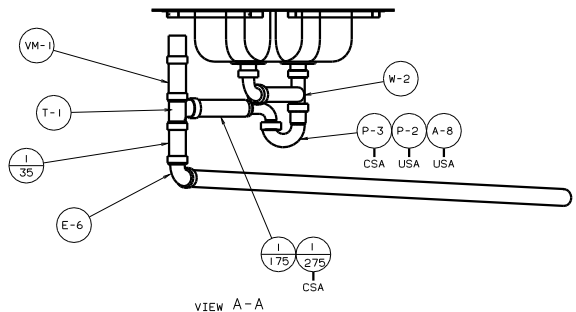
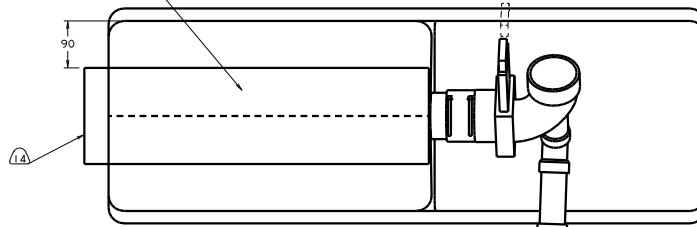


TOILET-SHORTY, AQUA IV
84738-01-CHT
(HAND FLUSH)
SCREW
87721-01-000 (6)
84738-02-CHT
(FOOT FLUSH)

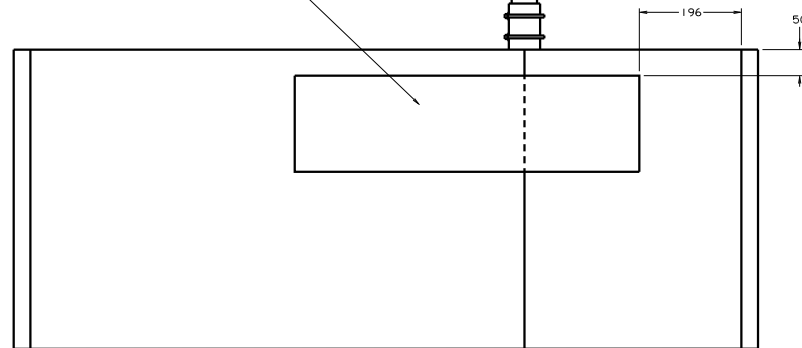


△(3) (23T) PAD-HEATER, HOLDING TANK, 40 GAL
133972-01-000



PAD-HEATER, ELBOW, 1.50
133972-03-000 △(3) (23T)

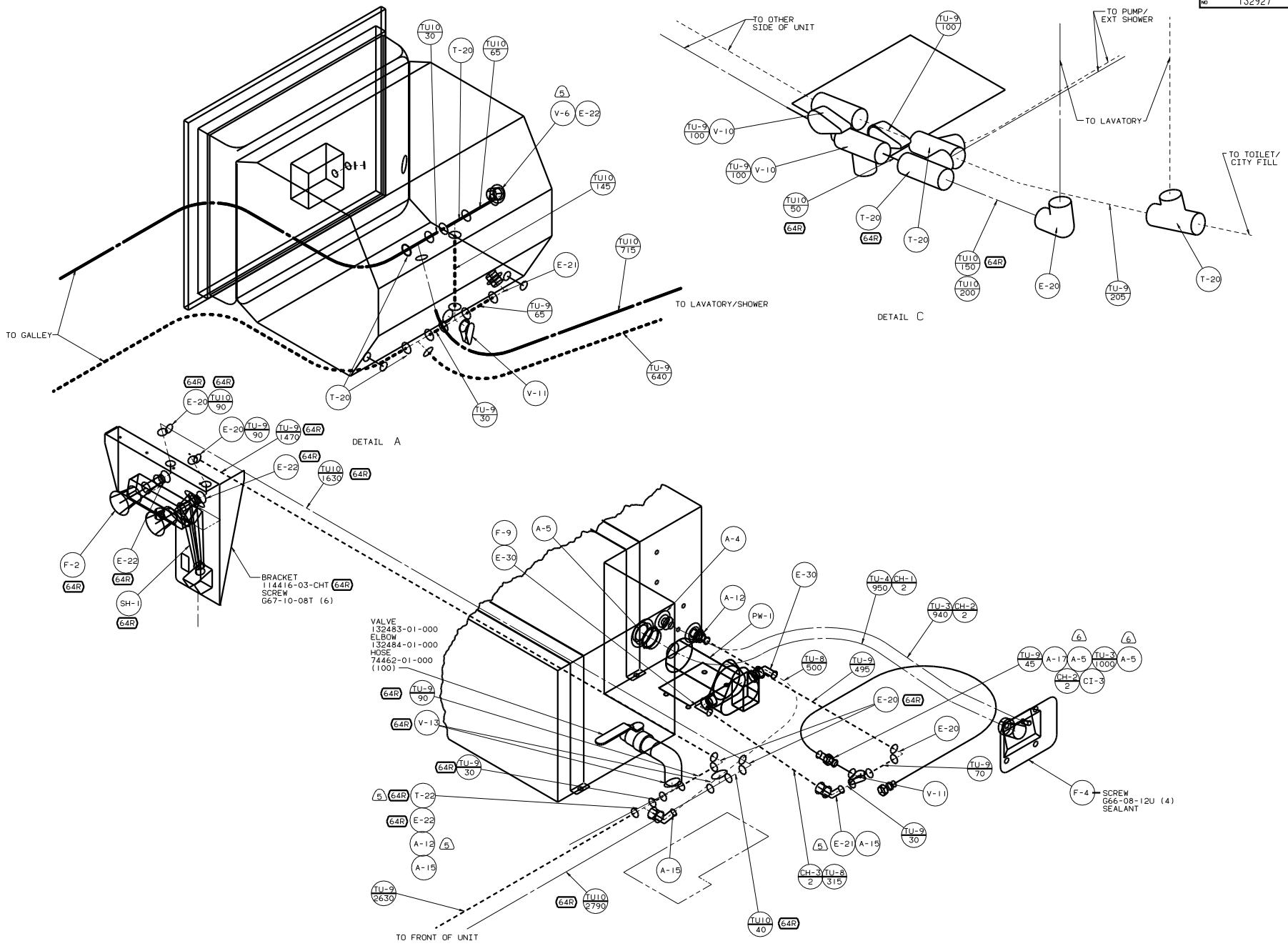
△(3) (23T) PAD-HEATER, HOLDING TANK, 40 GAL
133972-01-000



VIEW E-E

00 331C/T

TITLE: DRAINAGE SYSTEM INSL	
NO. OF SHEETS: 3	THIS SHEET: 3
DATE: 11/11/05	DWG. NO: 134355



VIEW B-B
49X BED-QUEEN, BACKWALL

00 331C/T

TITLE		WATER SYSTEM INSTL	
NO	REV	DATE	BY
2	1		
SHEET 2 OF 3		132927	

