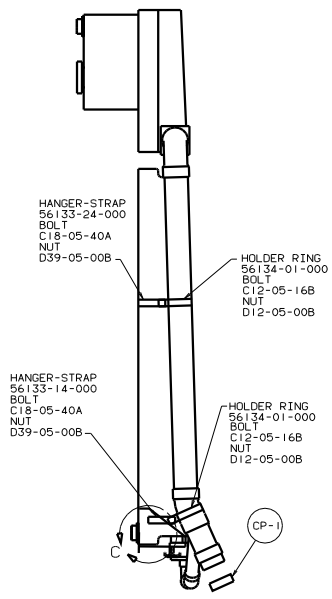
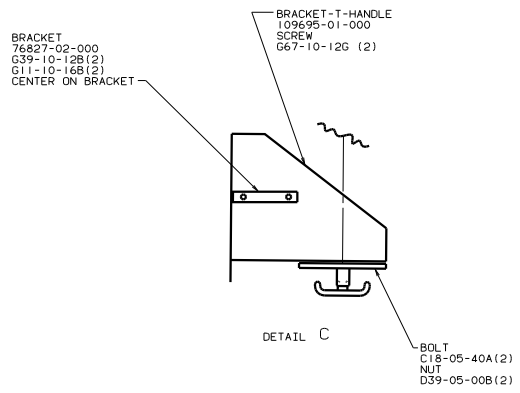


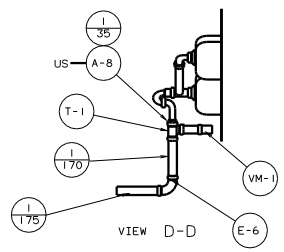
VIEW A-A



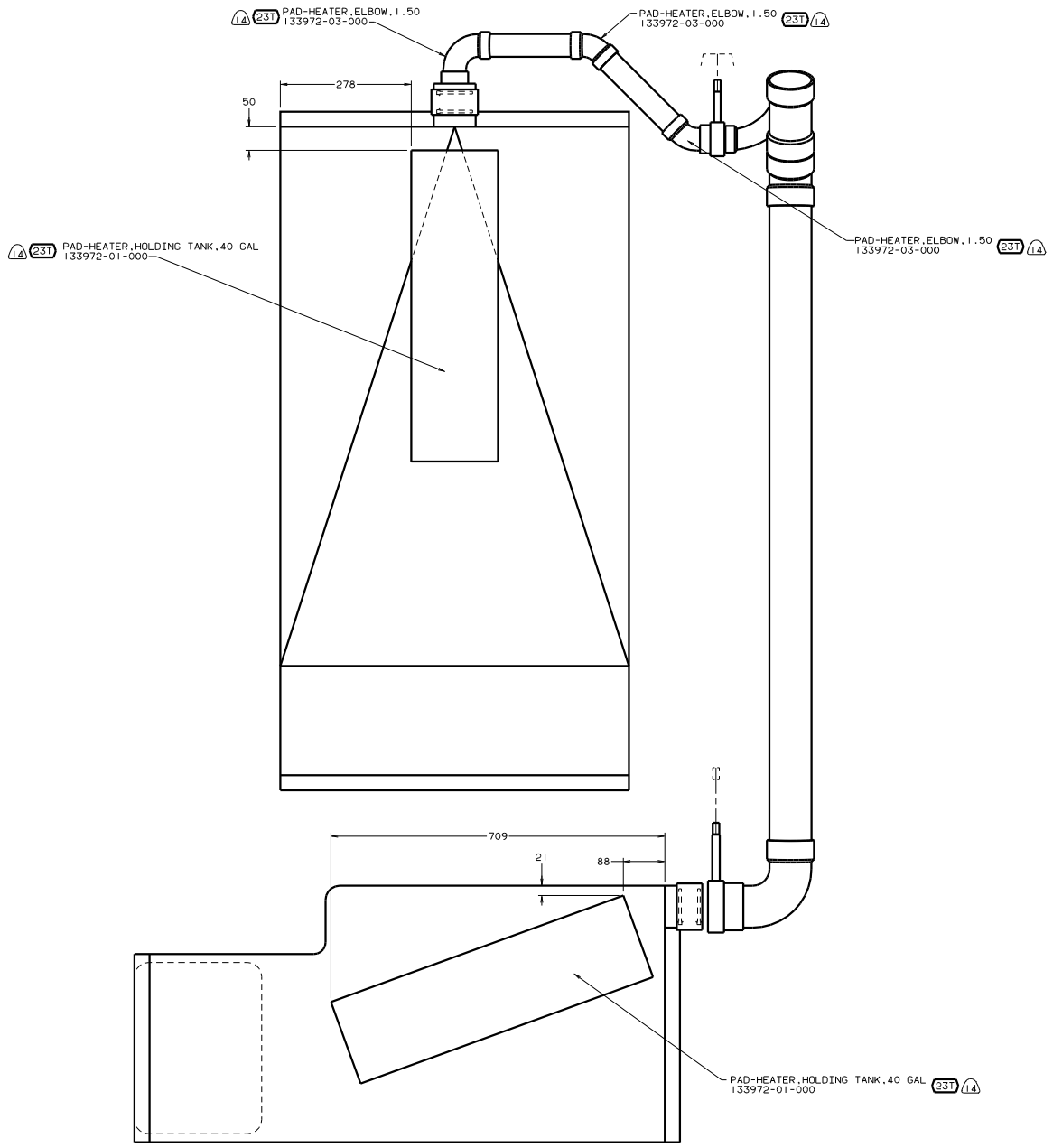
VIEW B-B



DETAIL C



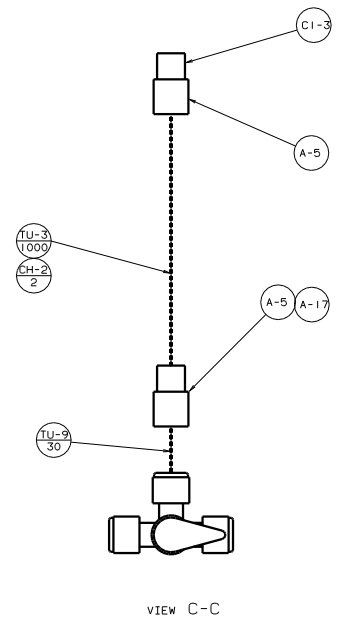
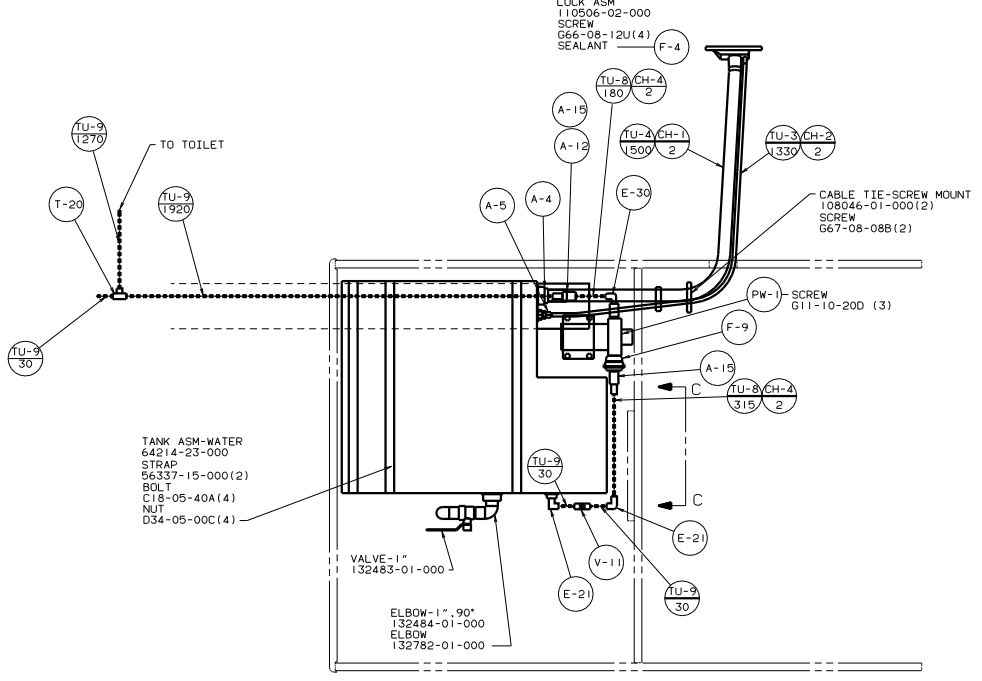
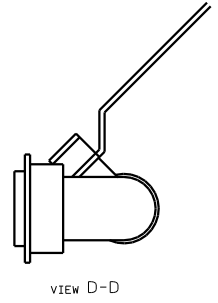
VIEW D-D



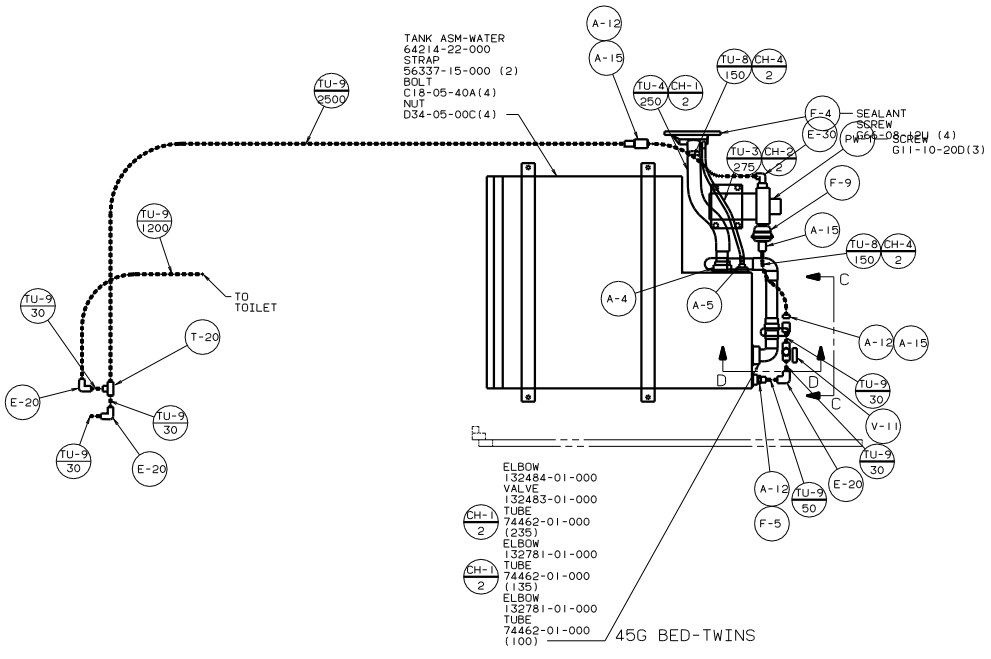
VIEW E-E

00 329N

TITLE: DRAINAGE SYSTEM INSTL	
30 THE SCALE DRAWING	1/E
SHEET 3 OF 3	134356



49X BED-QUEEN BACKWALL



45G BED-TWINS