

- SINK 104113-01-000
- STRAINER 92303-01-000 (2)
- SEAL 91255-02-000 (A/R)
- RETAINER 105497-01-000 (2)
- 105497-02-000 (2)
- SCREW G67-10-126 (20)

- SHOWER PAN 115611-02-CHT
- SHOWER ENCLOSURE INSTL 116119-01-000 (43F)
- TAILPIECE 11069-01-000
- NUT 130403-01-000
- WASHER 127440-02-CHT
- STRAINER 66729-01-000
- SEALANT

- HOLDER-RING 56134-02-000
- BOLT C12-05-16B
- NUT D12-05-00B
- HANGER-STRAP 56133-13-000
- BOLT C18-05-40A
- NUT D39-05-00B

- 13 SEE WIRING INSTL-BODY. 12V FOR ELECTRICAL CONNECTIONS.
- 12 SECURE PIPES TO CABINET USING WIRE TIE 108046-02-000 AND SCREW G67-10-12U(8).
- 11 TRIM P-TRAP EXTENSION TO FIT.
- 10 SECURE VENT TUBES TO FLOOR WITH BRACKET 95061-01-000(2), CLAMP 62401-02-000, SCREW G67-10-12B(2).
- 9 VENT PIPE MUST PROJECT 51 MM MIN AND 64 MM MAX ABOVE ROOF FOR PROPER FIT AND FUNCTION.
- 8 SEE DWG 61607-01-000 FOR INSTL OF GROMMETS.
- 7 SEAL ALL AROUND SHOWER WITH SILICONE.
- 6 FOR CAN UNITS EACH HOLDING TANK SHALL HAVE A CSA APPROVAL STAMPED NEAR THE IAMPO APPROVAL.
- 5 EXPOSED PIPE ABOVE ROOF TO BE PAINTED 37163-01-000.
- 4 ALL EXTERIOR OPENINGS AROUND PIPE TO BE SEALED WITH 110744-01-000.
- 3 ALL PIPE AND FITTINGS TO BE ASSEMBLED WITH SOLVENT 4020-01-000.
- 2 SLOPE OF TRAP ARM MUST BE 6 PER 305.
- 1 SLOPE OF HORIZONTAL PIPING TO BE 6 PER 305 MIN.

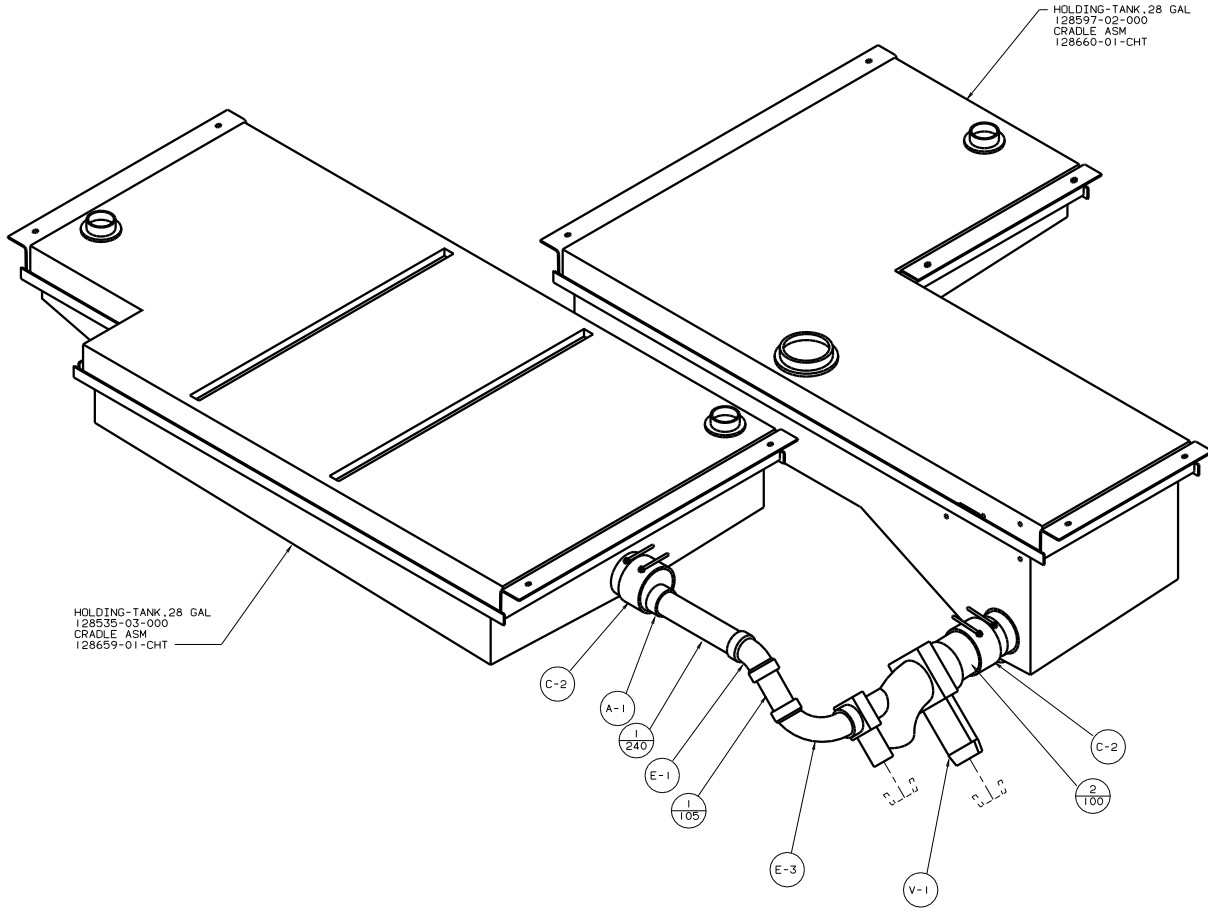
237 HEATED HOLDING TANK-PACKAGE  
 43F SHOWER SURROUND

DPRN		DATE	UNDESIGNED TOLERANCES ARE	MATERIAL:
DWG	DATE	NO. IN PLACE (1)	± .7	
P.E.	DATE	NO. IN PLACE (1)	± .1	
DWG	DATE	NO. IN PLACE (1)	± .1	
P.E.	DATE	NO. IN PLACE (1)	± .1	
DWG	DATE	NO. IN PLACE (1)	± .1	
P.E.	DATE	NO. IN PLACE (1)	± .1	
DWG	DATE	NO. IN PLACE (1)	± .1	
P.E.	DATE	NO. IN PLACE (1)	± .1	
LAYER NO.		---	TITLE:	
DIA #		SCALE:	NONE	
ALL DIMENSIONS ARE IN MILLIMETERS		SHEET	1 OF 4	133750

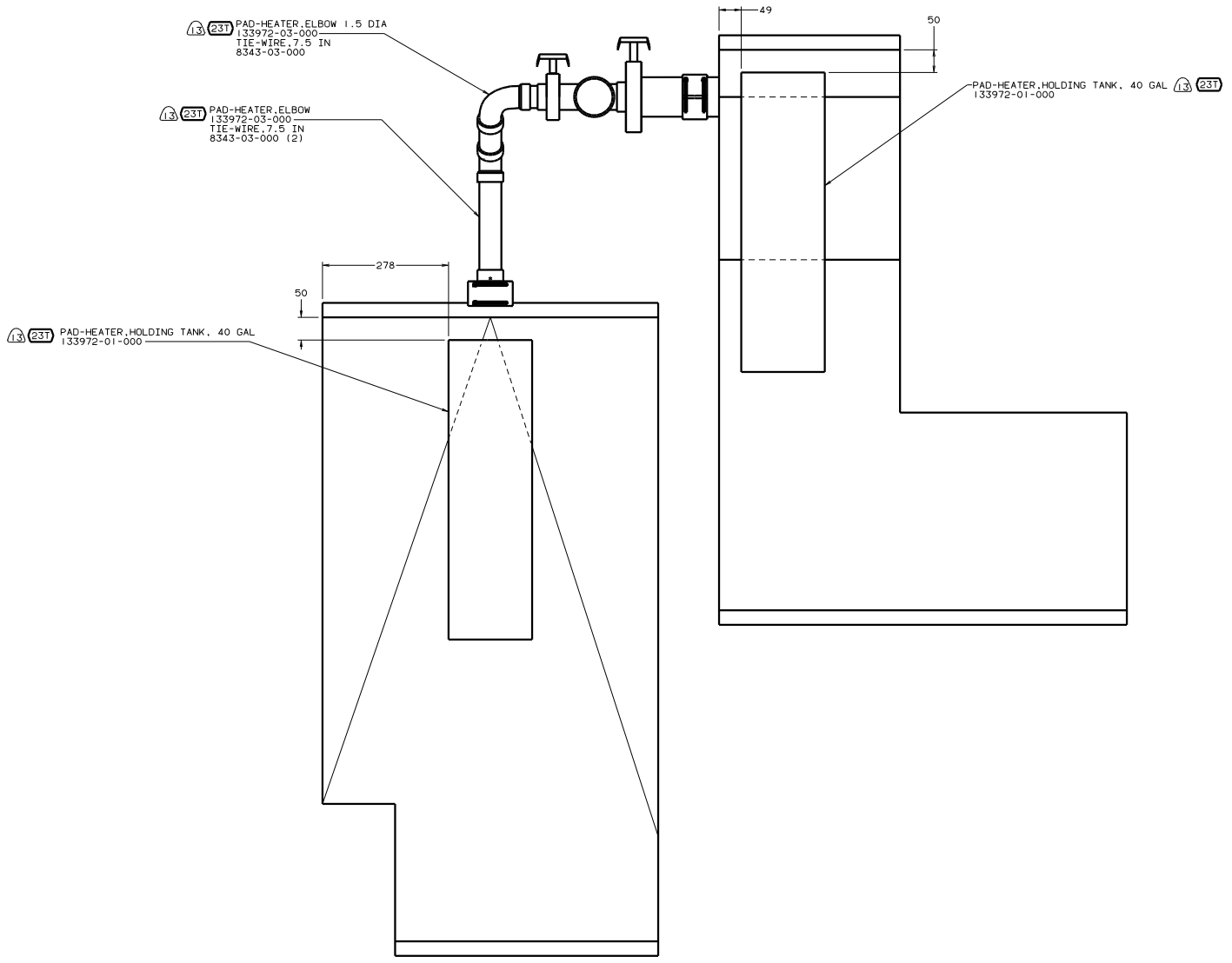
(X-X)  
 FOR DRAINAGE CALLOUTS SEE DWG NO. 116229-01-000

DRAINAGE SYSTEM INSTL  
 2 REF: 130428 E





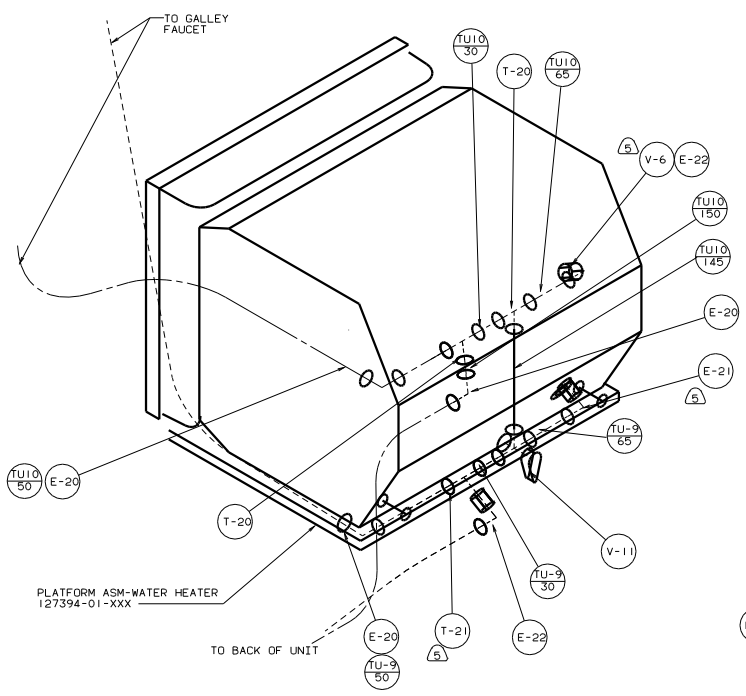
H  
G  
F  
E  
D  
C  
B  
A



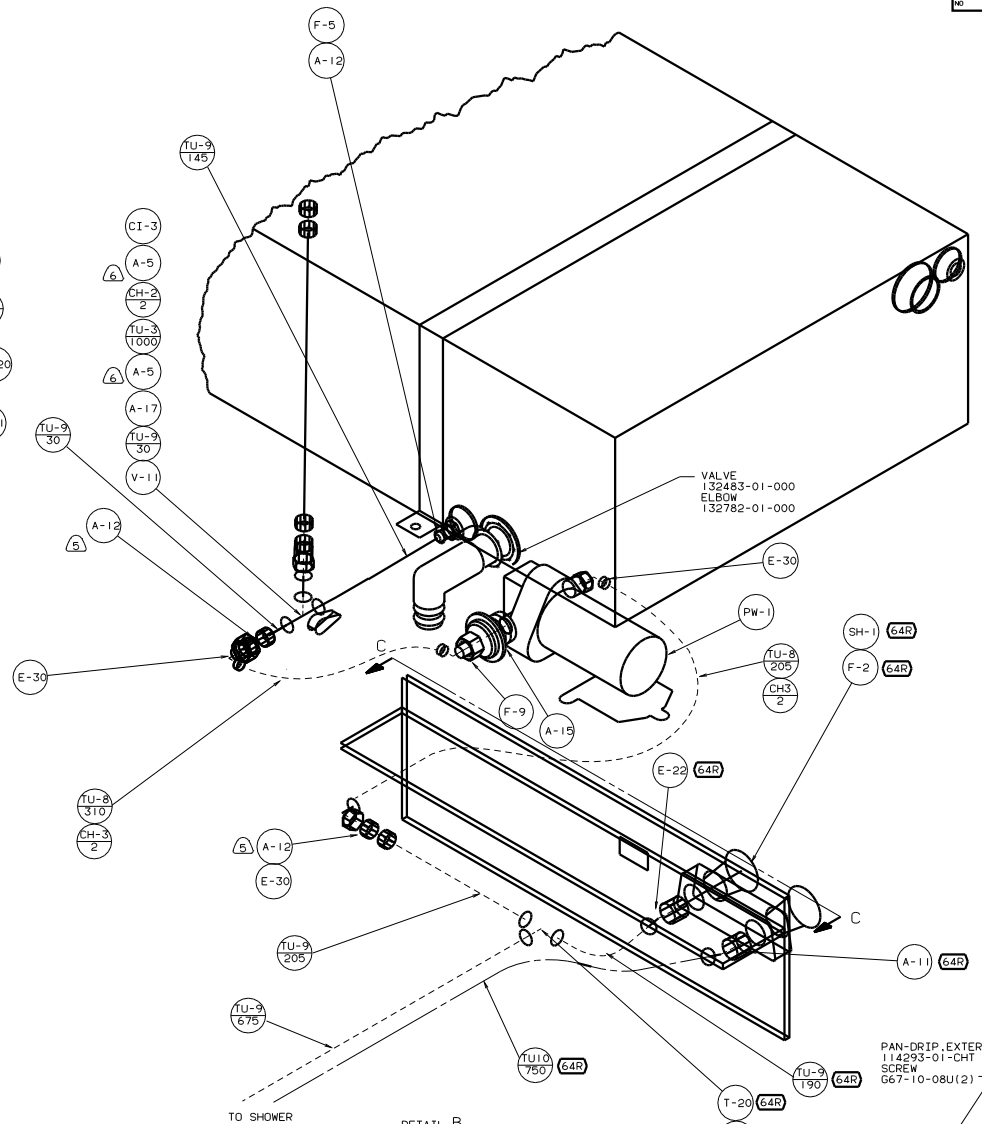
00 327P

TITLE: DRAINAGE SYSTEM INSL	
DATE: 00 327P	REV: 1
SHEET: 4 of 4	FIG. NO: 133750

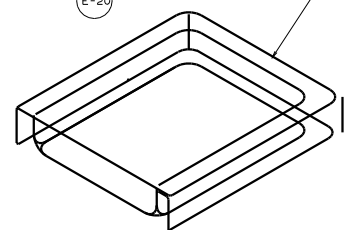




DETAIL A



DETAIL B (44V)



00 327P

TITLE		WATER SYSTEM INSTL	
30	NO SCALE	1	1
SHEET 2 OF 3		REV	DATE
		1	133780

