

CRADLE ASM
56076-22-000
BOLT
65115-04-000 (4)
NUT
D39-05-00B (4)

TANK ASM-HOLDING, 35 GAL
74861-15-000

EXTR-TUBE
69959-51-003 (2)
64241-51-005 (2)

TANK ASM-HOLDING, 30 GAL
74870-10-000

CRADLE ASM
74877-01-000
BOLT
65115-04-000 (5)
NUT
D39-05-00B (5)

EXTR-TUBE
64241-51-004 (2)

CP-2 S-1
SEALANT
SCREW
G67-10-12G (12)

C-2
A-1

I 35
I 35

E-6

VALVE-REMOTE
62421-03-000

I 935

BRACKET
134508-01-CHT
SCREW
G11-10-16B (2)
BRACKET
76827-02-000
SCREW
G39-10-12B (2)
G11-10-16B (2)

CABLE-VALVE, REMOTE
62421-05-000

VALVE
72346-01-000

B-1

A-2 H-1 A-6 CP-1

DETAIL B

SINK
104113-01-000
STRAINER
92303-01-000 (2)
SEAL
91255-02-000 A/R
RETAINER
105497-01-000 (2)
105497-02-000 (2)
SCREW
G67-10-12G (22)

USA
A-8

E-6

CSA
I 180

USA
I 80

I 130

VM-1

I 660

I 40

E-6

I 100

T-1

E-6

E-5

E-1

I 835

I 250

C-3

G-1

I 55

E-2

I 10

DETAIL A 49X

E-3

I 270

E-6

I 1240

W-2

P-3 P-2

CSA USA

E-6

I 250

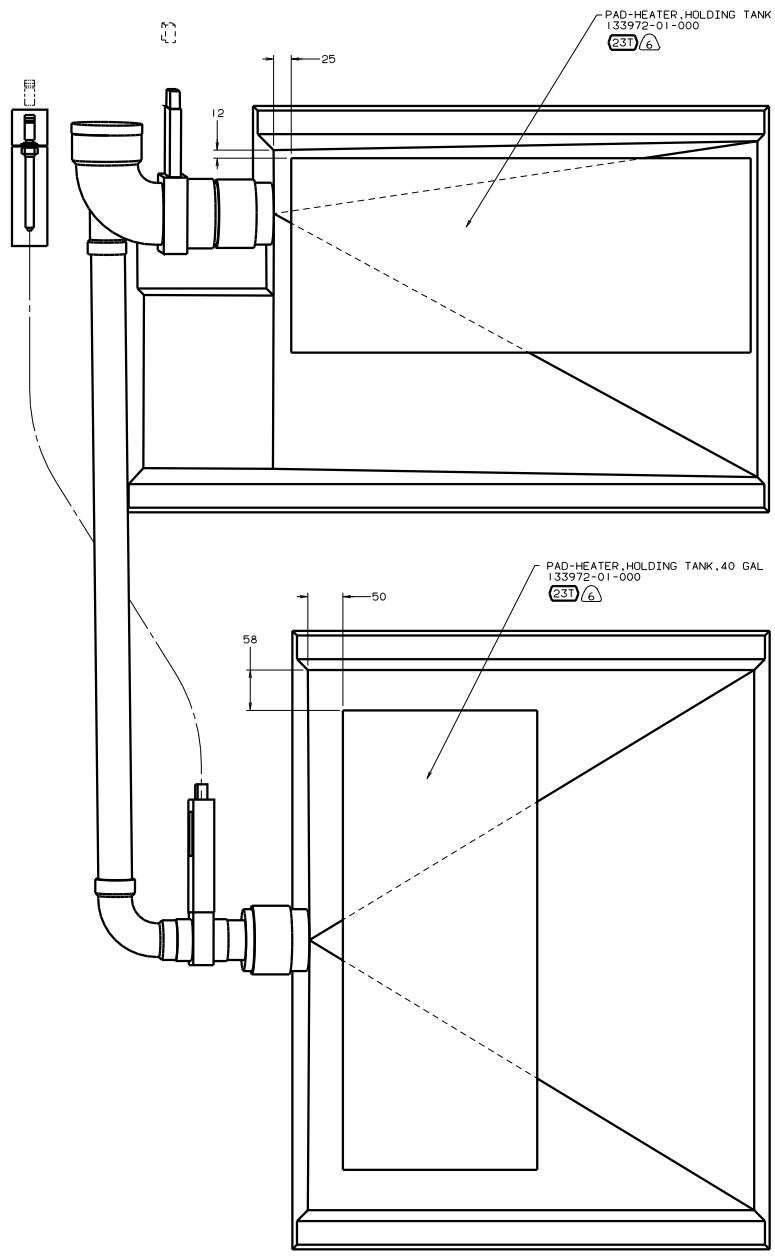
C-3

I 55

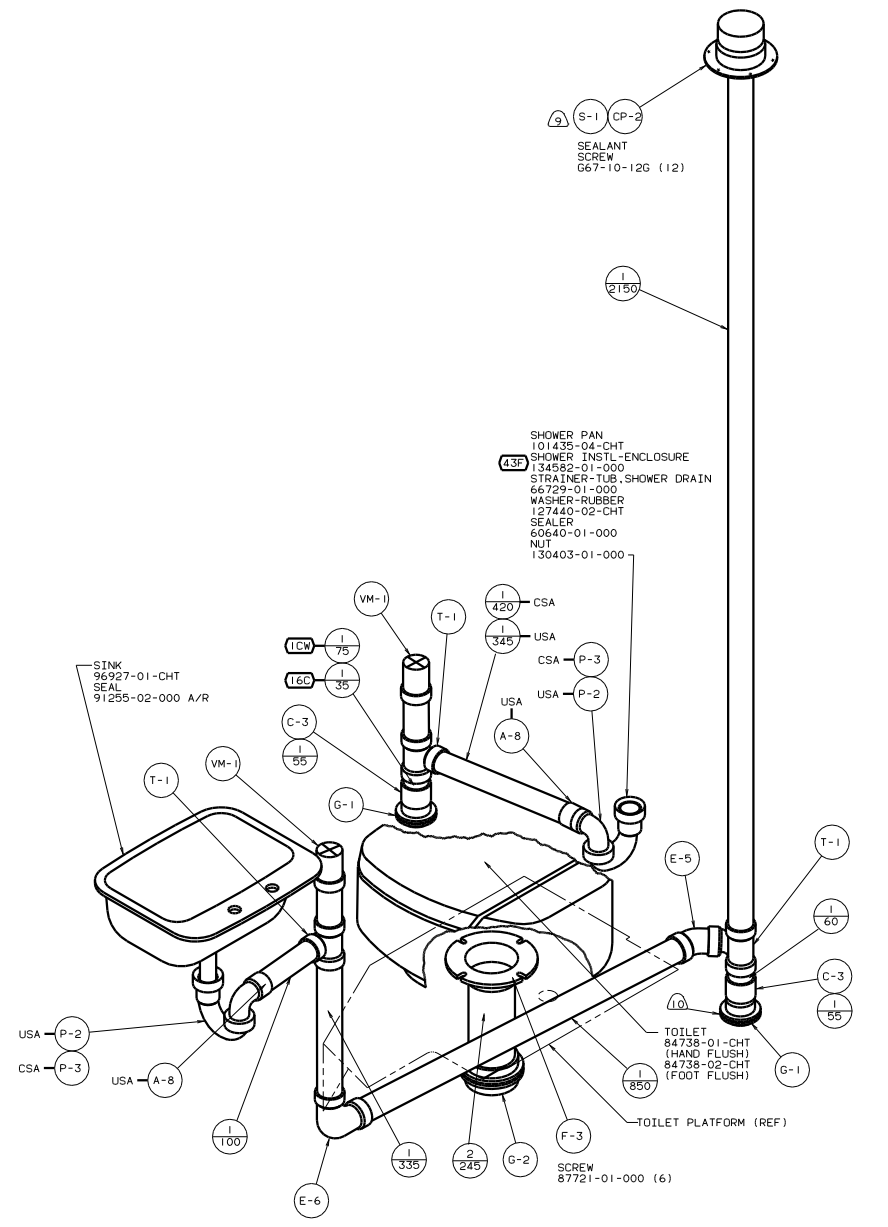
G-1

E-5

DETAIL A 33R 43B



VIEW D-D



DETAIL C

00 324V

TITLE		DRAINAGE SYSTEM INSTL	
NO. OF SHEETS	TOTAL SHEETS	FIG. NO.	134357
3	3	1	

