

- SINK 11029-03-000
- STRAINER 66437-02-000
- SEALER 69640-03-000
- TAILPIECE 11069-03-000
- ANGLE 107659-01-000(6)
- SCREW 667-10-16B(12)

CSA ONLY

CSA ONLY

CSA ONLY

CSA ONLY

CSA ONLY

CSA ONLY

CSA ONLY

CSA ONLY

CSA ONLY

CSA ONLY

CSA ONLY

CSA ONLY

CSA ONLY

CSA ONLY

CSA ONLY

CSA ONLY

CSA ONLY

CSA ONLY

CSA ONLY

CSA ONLY

CSA ONLY

CSA ONLY

CSA ONLY

CSA ONLY

CSA ONLY

CSA ONLY

CSA ONLY

CSA ONLY

CSA ONLY

CSA ONLY

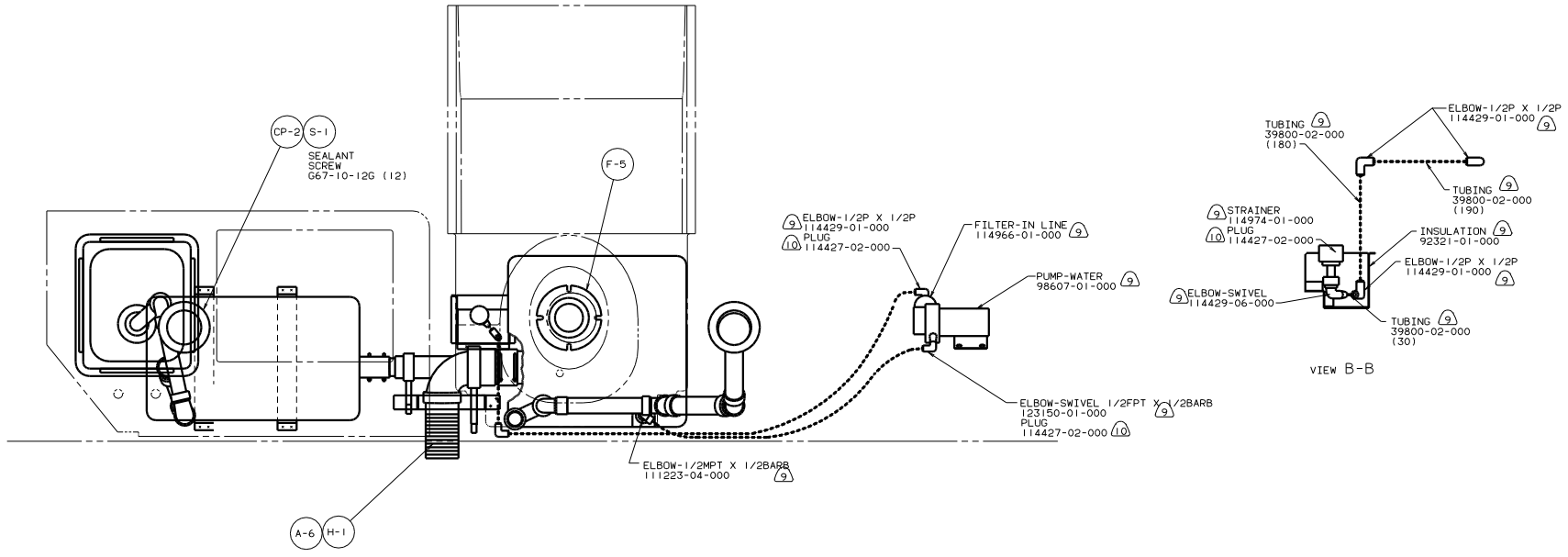
- 5. EXPOSED PIPE ABOVE ROOF TO BE PAINTED 37163-01-000.
- 4. ALL EXTERIOR OPENINGS AROUND PIPE TO BE SEALED WITH 69637-01-000.
- 3. ALL PIPE AND FITTINGS TO BE ASSEMBLED WITH SOLVENT 4020-01-000.
- 2. SLOPE OF TRAP ARM MUST BE 6 PER 305.
- 1. SLOPE OF HORIZONTAL PIPING TO BE 6 PER 305 MIN.
- 10. 1A7 SHOWER PACKAGE WITHOUT.
- 9. 1A0 SHOWER PACKAGE.
- 8. VENT PIPE MUST PROJECT 51 MM MIN AND 63.5 MM MAX ABOVE ROOF FOR PROPER FIT AND FUNCTION.
- 7. SEE DWG 61607-01-000 FOR INSTALLATION OF GROMMET.
- 6. FOR CANADIAN UNITS EACH HOLDING TANK SHALL HAVE A CSA APPROVAL STAMPED NEAR THE TAMPO APPROVAL.

- 13. SECURE PIPES TO CABINET USING WIRE TIE 108046-02-000 AND SCREW 667-10-12U (8).
- 12. NOT USED ON CANADIAN UNIT.
- 11. USE SCRAP CLOSED CELL NEOPRENE FROM 77075-01-02 OR -03 ON BRACKETS FOR VIBRATION DAMPENING.

FOR DRAINAGE CALCULATIONS SEE DWG NO. 116229-01-000

222RC/RT US/CANADIAN
 181 CODE STANDARDS-USA
 265 CODE STANDARDS-CSA

| | | | |
|---------------------|---------|------------------------------|---------|
| DRAWING NO. 2221R16 | | TITLE: DRAINAGE SYSTEM INSTL | |
| DATE | DATE | DATE | DATE |
| BY | BY | BY | BY |
| CHECKED | CHECKED | CHECKED | CHECKED |
| SCALE | SCALE | SCALE | SCALE |
| SHEET 1 OF 2 | | 126232 | |



VIEW A-A

VIEW B-B

