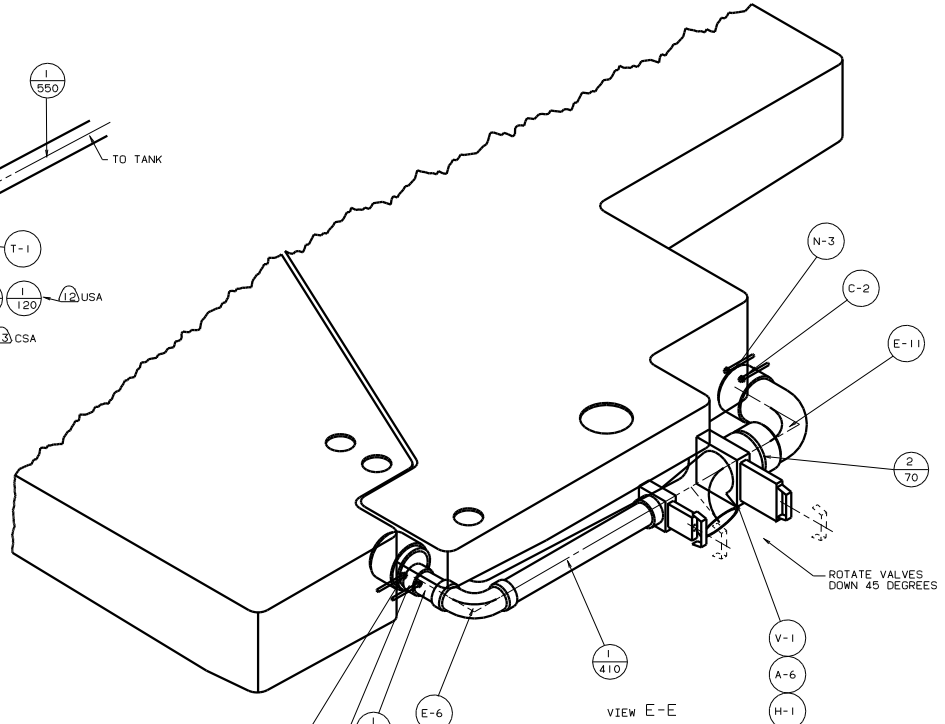
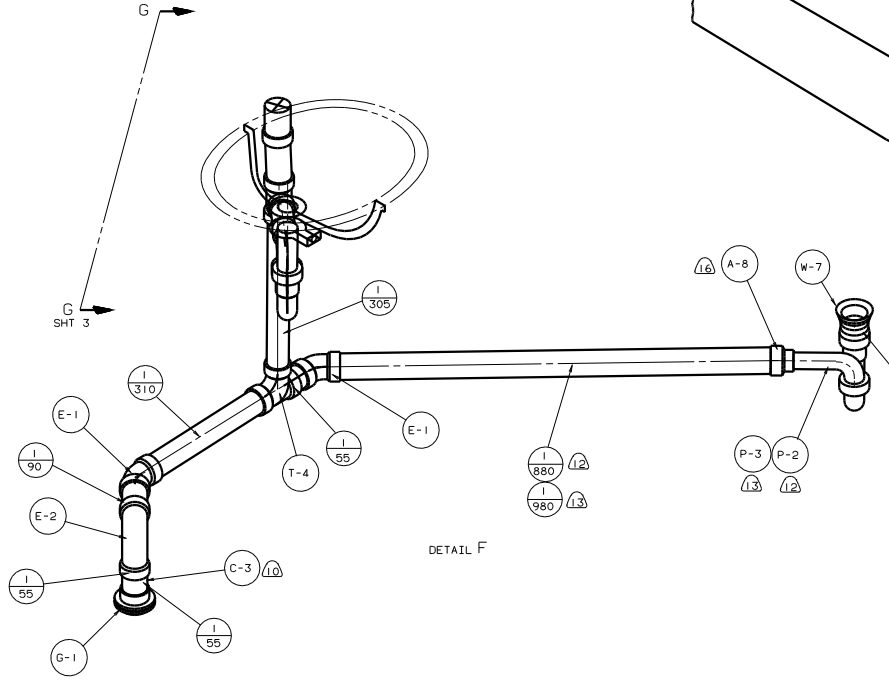


DETAIL D

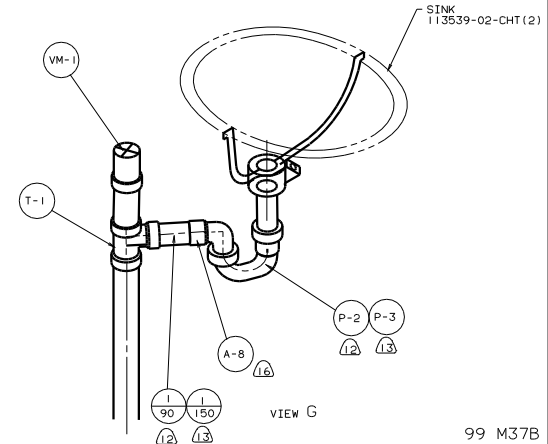


VIEW E-E



DETAIL F

SHOWER INSTL-ENCLOSURE  
 127290-01-000  
 DRAIN  
 120981-01-000  
 NUT  
 130403-01-000  
 TAILPIECE  
 11069-06-000



VIEW G



STRAP  
126413-02-CHT (2)  
SCREW  
G39-10-128 (8)

4724  
PANEL-CLOSEOUT, WATER HTR  
125028-04-CHT  
RIVET  
113133-01-CHT (2)  
47

25  
225

PLATFORM-HOLDING TANK  
126714-05-000

BRACKET-SEAT  
16604-01-000 (4)

TANK ASM-HOLDING  
(SEE TAB)

TANK ASM-HOLDING  
128561-02-000

PLATFORM-HOLDING TANK  
126714-07-000

PLATFORM-HOLDING TANK  
126714-04-000

BRACKET-TIEDOWN, WATER TANK  
112628-04-CHT

187

PLATFORM-HOLDING TANK  
126714-06-000

334

259

292

369

4046

38

54

BRACKET-TIEDOWN, WATER TANK  
112628-04-CHT

5464

PLATFORM-HOLDING TANK  
126714-15-000  
PLYWOOD  
860-51-864

ANGLE ASM  
131225-01-CHT (M37B)  
131225-02-CHT (M39Y)  
SCREW  
G39-10-12B (6)

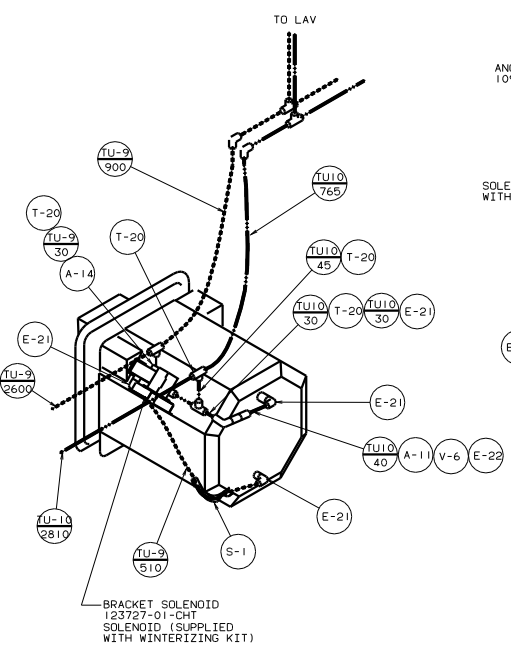
VIEW K-K

PLATFORM-HOLDING TANK  
126714-16-000

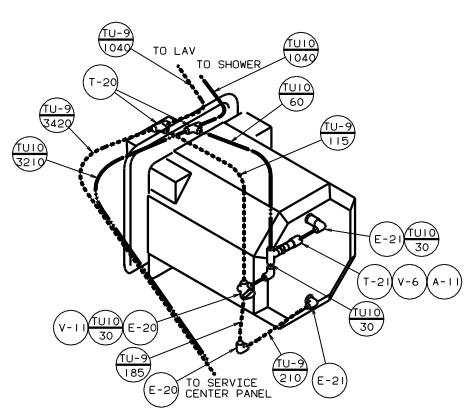
TITLE		DRAWING NO.	
DRAINAGE SYSTEM INSTL		128483	
NO. OF SHEETS	TOTAL SHEETS	SHEET NO.	TOTAL SHEETS
5	5	5	5



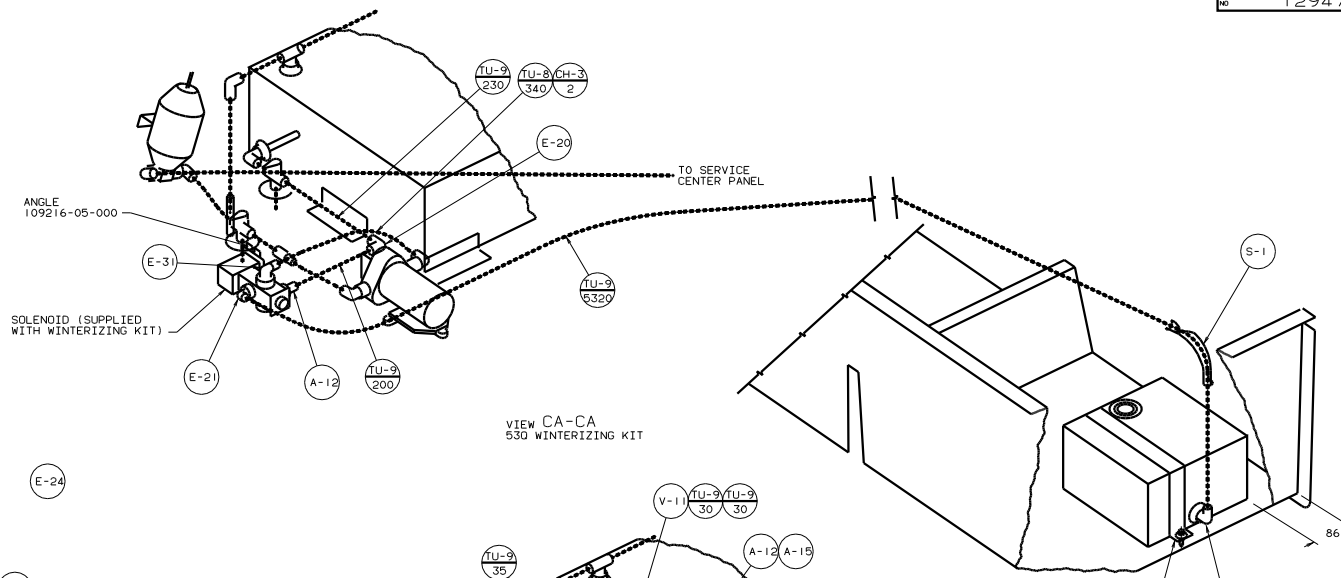




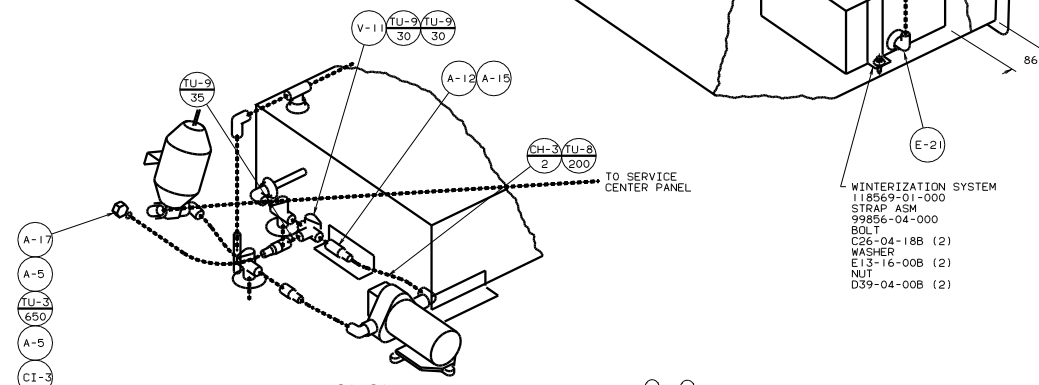
DETAIL CB  
530 WINTERIZING KIT



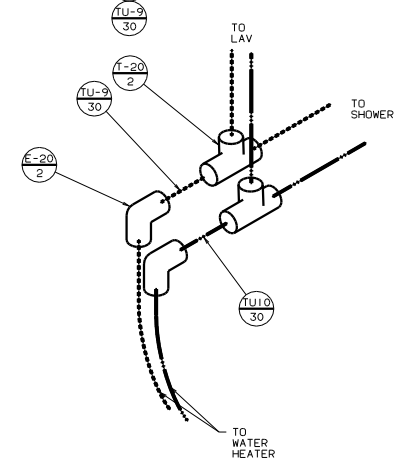
DETAIL CB  
WATER HEATER  
(MANUAL WINTERIZATION)



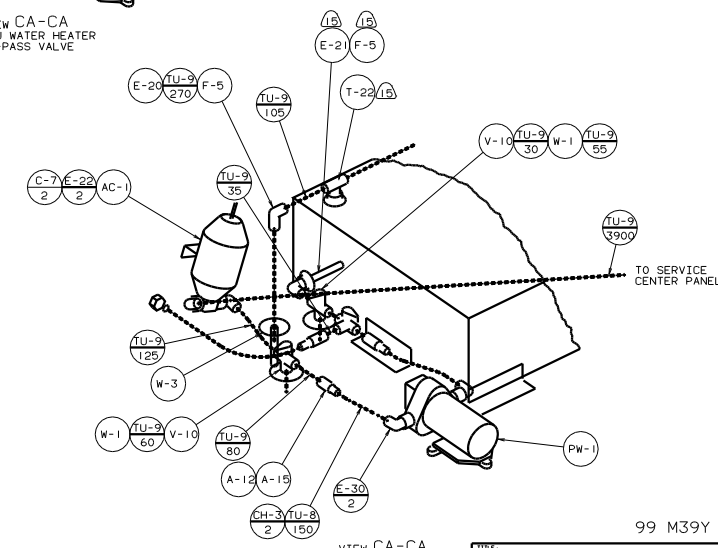
VIEW CA-CA  
530 WINTERIZING KIT



VIEW CA-CA  
53J WATER HEATER  
BY-PASS VALVE



DETAIL CC



VIEW CA-CA

NO	REV	DATE	BY	CHK
30	1			
SHEET 3 OF 3				

99 M39Y  
TITLE: WATER SYSTEM INSTL  
129478