

- RETAINER 81828-01-CHT
- 83699-15-CHT(2)
- 83699-16-CHT
- 83699-19-CHT(3)
- SINK-SST, DOUBLE 110654-01-000(US/CAN)
- STRAINER 92303-01-000(2)
- SEAL 91255-02-000 (A/R)
- RETAINER 105497-02-000(6)
- SCREW G67-06-10U(22)
- WASHER-RUBBER 127440-02-CHT(2)

- SINK 105921-01-CHT
- SPACER 105218-01-CHT
- STRAINER 106116-01-CHT
- SEAL 91255-02-000 (A/R)

- CLAMP-HOSE 62401-05-000
- BRACKET-PIPE 95061-01-000(2)

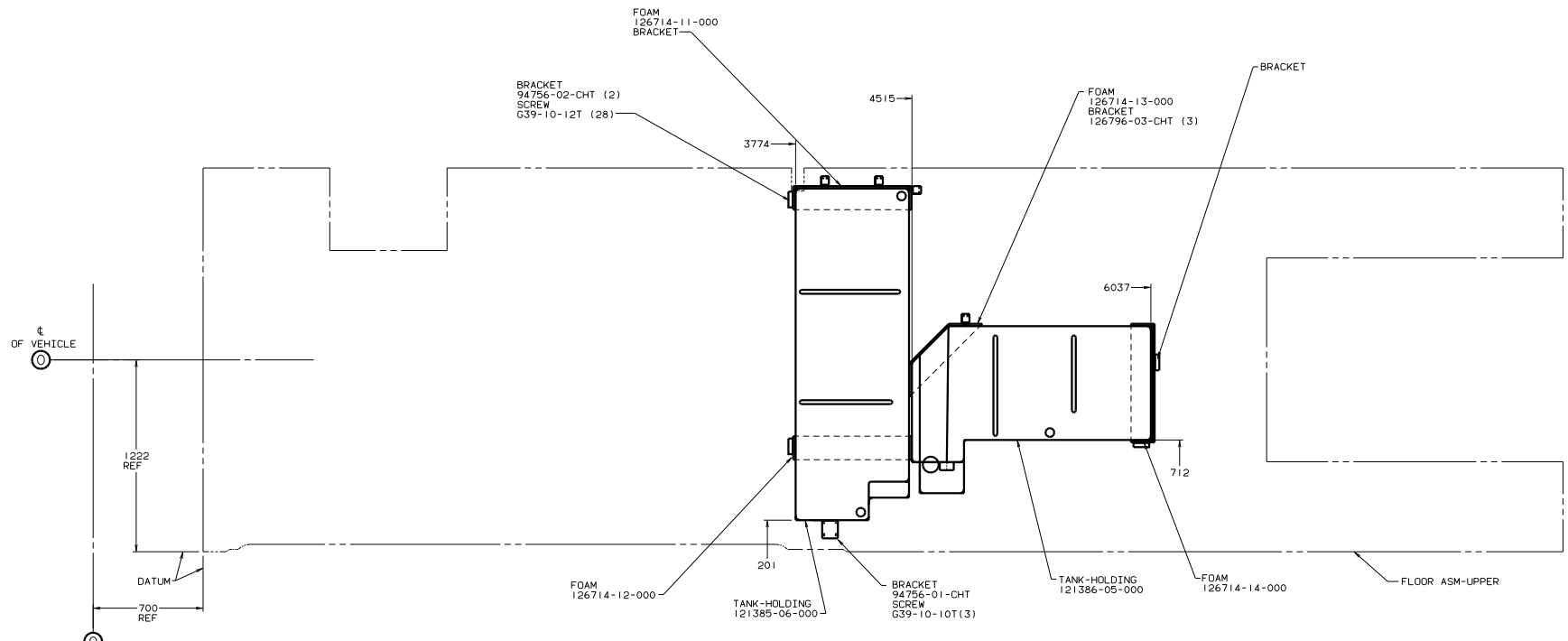
- SHOWER INSTL-ENCLOSURE 127290-01-000
- DRAIN 120981-01-CHT
- 69610-01-000
- WASHER 127440-02-CHT
- TAILPIECE 11069-02-000
- NUT 130403-01-000

- 15 BRACKET ON PLATFORM ASM MAY NEED TO BE REPOSITIONED.
- 14 CLAMP TO FIT. (2 PLACES).
- 13 TRIM TO FIT.
- 12 CSA ONLY.
- 11 US ONLY.
- 10 SECURE VENT TUBES TO FLOOR WITH BRACKET.
- 9 VENT PIPE MUST PROJECT 51 MIN AND 63.5 MAX ABOVE ROOF FOR PROPER FIT AND FUNCTION.
- 8. SEE DWG 61607-01-000 FOR INSTL OF GROMMETS.
- 7. SEAL ALL AROUND SHOWER WITH SILICONE.
- 6. FOR CANADIAN UNITS EACH HOLDING TANK SHALL HAVE A CSA APPROVAL STAMPED NEAR THE TAMPO APPROVAL.
- 5. EXPOSED PIPE ABOVE ROOF TO BE PAINTED WITH 37163-01-000.
- 4. ALL EXTERIOR OPENINGS AROUND PIPE TO BE SEALED WITH 11074-01-000.
- 3. ALL PIPE AND FITTINGS TO BE ASSEMBLED WITH SOLVENT 4020-01-000.
- 2. SLOPE OF TRAP ARM MUST BE 6 PER 305.
- 1. SLOPE OF HORIZONTAL PIPING TO BE 6 PER 305 MIN.

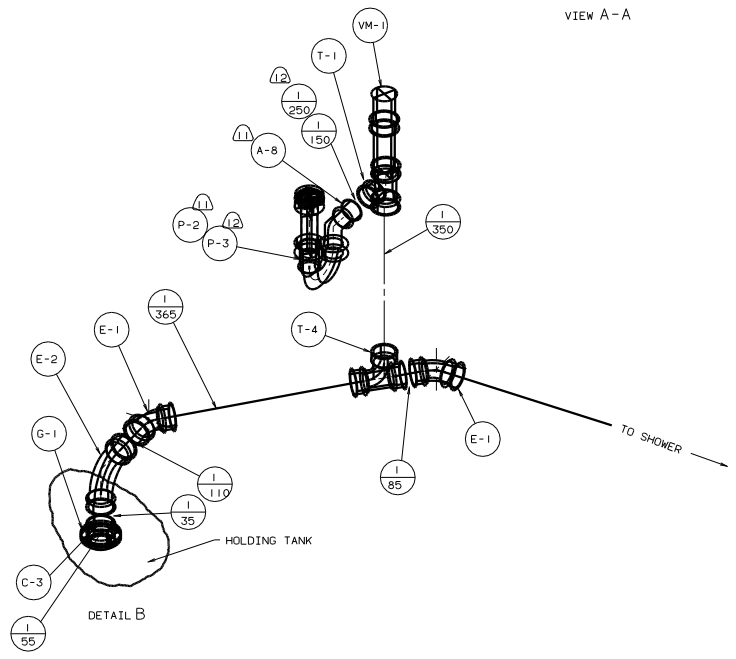
- 18 SECURE PIPES TO CABINET USING WIRE TIE 108046-02-000 AND SCREW G67-10-12U(8).
- 17 COVER PIPE FROM ELBOW UP USING SCRAP 9CARPT-02-000 WHEN AVAILABLE OR 9CARPT-02-000 (150 X 178).
- 16 OPTION 41K.

DATE		PROPOSED TOLERANCES ARE:		MATERIAL:	
DWG	DATE	WHOLE DIM (X1)	+		
P.E.	DATE	2ND-PLACE (X1.25)	+		
DWG	DATE	3RD-PLACE (X1.5)	+		
DWG	DATE	4TH-PLACE (X2)	+		
DWG	DATE	5TH-PLACE (X2.5)	+		
DWG	DATE	6TH-PLACE (X3)	+		
DWG	DATE	7TH-PLACE (X3.75)	+		
DWG	DATE	8TH-PLACE (X4.5)	+		
DWG	DATE	9TH-PLACE (X5.25)	+		
DWG	DATE	10TH-PLACE (X6)	+		
DWG	DATE	11TH-PLACE (X7)	+		
DWG	DATE	12TH-PLACE (X8)	+		
DWG	DATE	13TH-PLACE (X9)	+		
DWG	DATE	14TH-PLACE (X10)	+		
DWG	DATE	15TH-PLACE (X12)	+		
DWG	DATE	16TH-PLACE (X15)	+		
DWG	DATE	17TH-PLACE (X20)	+		
DWG	DATE	18TH-PLACE (X25)	+		
DWG	DATE	19TH-PLACE (X30)	+		
DWG	DATE	20TH-PLACE (X40)	+		
DWG	DATE	21ST-PLACE (X50)	+		
DWG	DATE	22ND-PLACE (X60)	+		
DWG	DATE	23RD-PLACE (X75)	+		
DWG	DATE	24TH-PLACE (X90)	+		
DWG	DATE	25TH-PLACE (X110)	+		
DWG	DATE	26TH-PLACE (X130)	+		
DWG	DATE	27TH-PLACE (X150)	+		
DWG	DATE	28TH-PLACE (X180)	+		
DWG	DATE	29TH-PLACE (X210)	+		
DWG	DATE	30TH-PLACE (X250)	+		
DWG	DATE	31ST-PLACE (X300)	+		
DWG	DATE	32ND-PLACE (X360)	+		
DWG	DATE	33RD-PLACE (X420)	+		
DWG	DATE	34TH-PLACE (X480)	+		
DWG	DATE	35TH-PLACE (X540)	+		
DWG	DATE	36TH-PLACE (X600)	+		
DWG	DATE	37TH-PLACE (X660)	+		
DWG	DATE	38TH-PLACE (X720)	+		
DWG	DATE	39TH-PLACE (X780)	+		
DWG	DATE	40TH-PLACE (X840)	+		
DWG	DATE	41ST-PLACE (X900)	+		
DWG	DATE	42ND-PLACE (X960)	+		
DWG	DATE	43RD-PLACE (X1020)	+		
DWG	DATE	44TH-PLACE (X1080)	+		
DWG	DATE	45TH-PLACE (X1140)	+		
DWG	DATE	46TH-PLACE (X1200)	+		
DWG	DATE	47TH-PLACE (X1260)	+		
DWG	DATE	48TH-PLACE (X1320)	+		
DWG	DATE	49TH-PLACE (X1380)	+		
DWG	DATE	50TH-PLACE (X1440)	+		
DWG	DATE	51ST-PLACE (X1500)	+		
DWG	DATE	52ND-PLACE (X1560)	+		
DWG	DATE	53RD-PLACE (X1620)	+		
DWG	DATE	54TH-PLACE (X1680)	+		
DWG	DATE	55TH-PLACE (X1740)	+		
DWG	DATE	56TH-PLACE (X1800)	+		
DWG	DATE	57TH-PLACE (X1860)	+		
DWG	DATE	58TH-PLACE (X1920)	+		
DWG	DATE	59TH-PLACE (X1980)	+		
DWG	DATE	60TH-PLACE (X2040)	+		
DWG	DATE	61ST-PLACE (X2100)	+		
DWG	DATE	62ND-PLACE (X2160)	+		
DWG	DATE	63RD-PLACE (X2220)	+		
DWG	DATE	64TH-PLACE (X2280)	+		
DWG	DATE	65TH-PLACE (X2340)	+		
DWG	DATE	66TH-PLACE (X2400)	+		
DWG	DATE	67TH-PLACE (X2460)	+		
DWG	DATE	68TH-PLACE (X2520)	+		
DWG	DATE	69TH-PLACE (X2580)	+		
DWG	DATE	70TH-PLACE (X2640)	+		
DWG	DATE	71ST-PLACE (X2700)	+		
DWG	DATE	72ND-PLACE (X2760)	+		
DWG	DATE	73RD-PLACE (X2820)	+		
DWG	DATE	74TH-PLACE (X2880)	+		
DWG	DATE	75TH-PLACE (X2940)	+		
DWG	DATE	76TH-PLACE (X3000)	+		
DWG	DATE	77TH-PLACE (X3060)	+		
DWG	DATE	78TH-PLACE (X3120)	+		
DWG	DATE	79TH-PLACE (X3180)	+		
DWG	DATE	80TH-PLACE (X3240)	+		
DWG	DATE	81ST-PLACE (X3300)	+		
DWG	DATE	82ND-PLACE (X3360)	+		
DWG	DATE	83RD-PLACE (X3420)	+		
DWG	DATE	84TH-PLACE (X3480)	+		
DWG	DATE	85TH-PLACE (X3540)	+		
DWG	DATE	86TH-PLACE (X3600)	+		
DWG	DATE	87TH-PLACE (X3660)	+		
DWG	DATE	88TH-PLACE (X3720)	+		
DWG	DATE	89TH-PLACE (X3780)	+		
DWG	DATE	90TH-PLACE (X3840)	+		
DWG	DATE	91ST-PLACE (X3900)	+		
DWG	DATE	92ND-PLACE (X3960)	+		
DWG	DATE	93RD-PLACE (X4020)	+		
DWG	DATE	94TH-PLACE (X4080)	+		
DWG	DATE	95TH-PLACE (X4140)	+		
DWG	DATE	96TH-PLACE (X4200)	+		
DWG	DATE	97TH-PLACE (X4260)	+		
DWG	DATE	98TH-PLACE (X4320)	+		
DWG	DATE	99TH-PLACE (X4380)	+		
DWG	DATE	100TH-PLACE (X4440)	+		

FOR DRAINAGE CALLOUTS SEE DWG NO. 16229-01-000



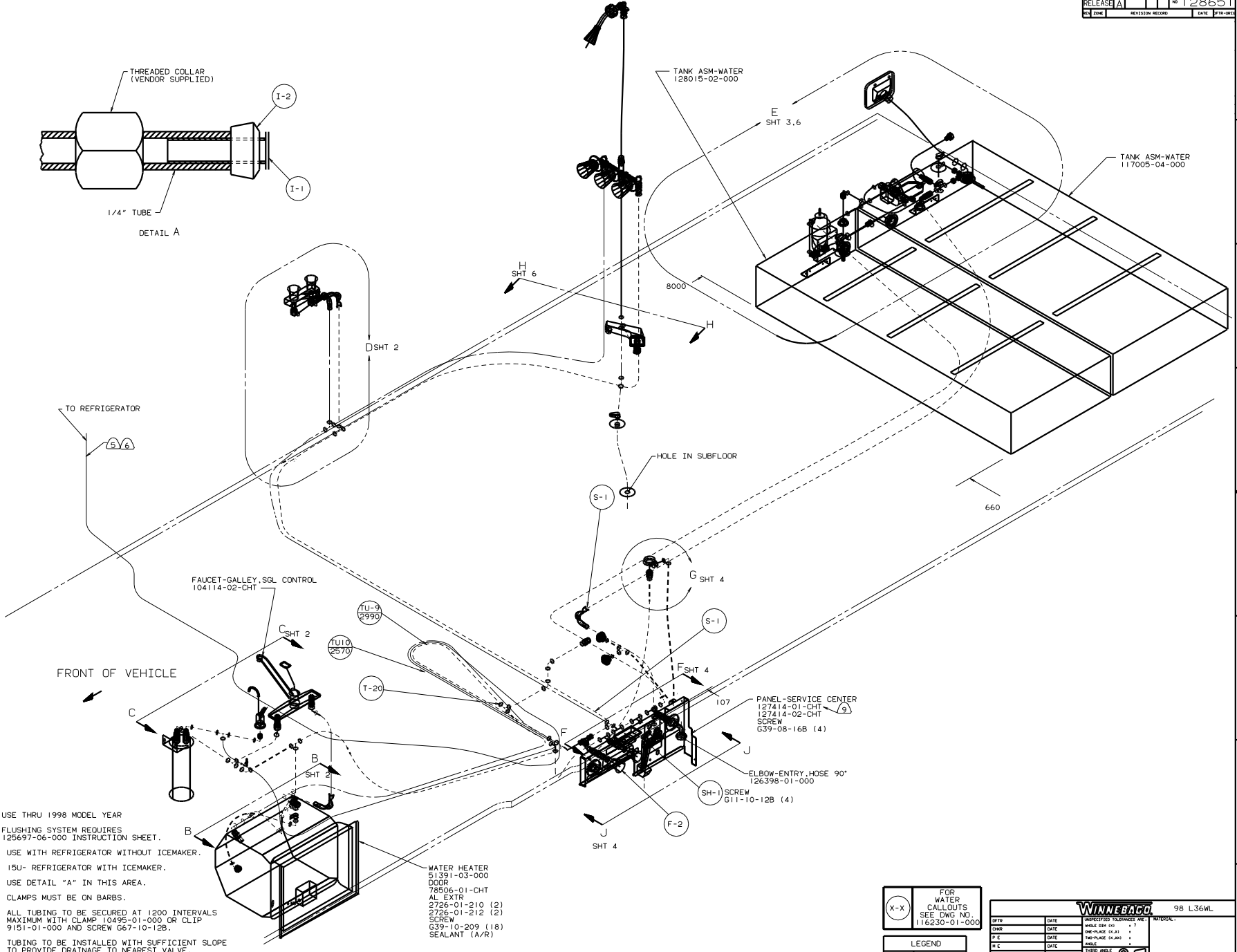
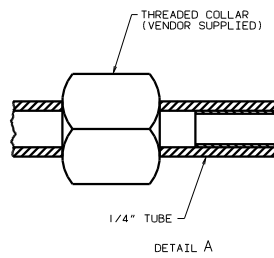
VIEW A-A



DETAIL B

98 L36WQ, PUSHER

TITLE: DRAINAGE SYSTEM INSUL		DWG NO: 125998	
DATE: 2/05	BY: J.E.	CHK: J.E.	APP: J.E.
SHEET 2 OF 2		PAGE 1	



- 9 USE THRU 1998 MODEL YEAR
- 8 FLUSHING SYSTEM REQUIRES 125697-06-000 INSTRUCTION SHEET.
- 7 USE WITH REFRIGERATOR WITHOUT ICEMAKER.
- 6 15U- REFRIGERATOR WITH ICEMAKER.
- 5 USE DETAIL "A" IN THIS AREA.
- 4 CLAMPS MUST BE ON BARBS.
3. ALL TUBING TO BE SECURED AT 1200 INTERVALS MAXIMUM WITH CLAMP 10495-01-000 OR CLIP 9151-01-000 AND SCREW G67-10-12B.
2. TUBING TO BE INSTALLED WITH SUFFICIENT SLOPE TO PROVIDE DRAINAGE TO NEAREST VALVE.
1. PLASTIC FITTINGS TO BE SEALED WITH SEALANT 84456-01-000.

FOR WATER CALLOUTS SEE DWG NO. 116230-01-000

LEGEND

HOT

COLD

WINNEBAGO 98 L36WL

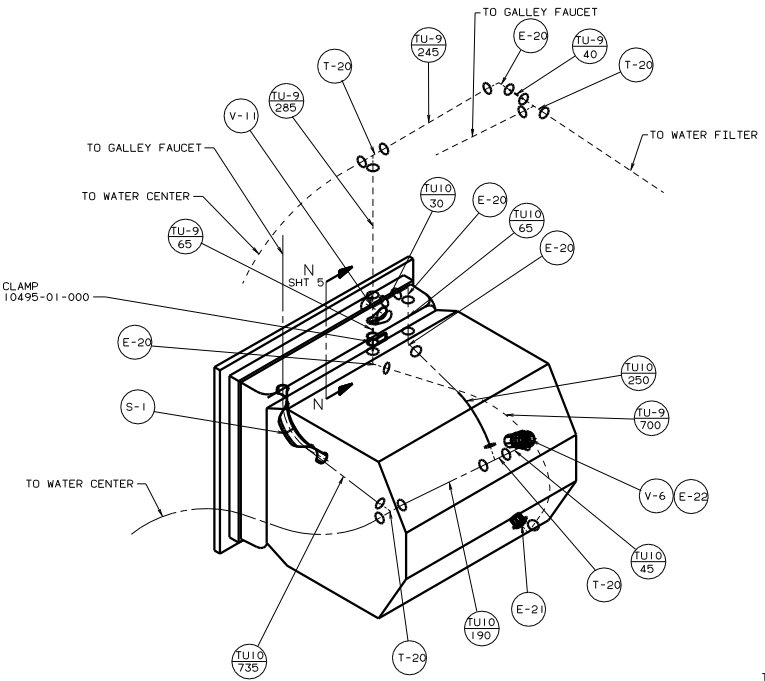
DATE	UNAPPROVED TOLERANCES ARE:	MATERIAL:
DATE	WHOLE DIM (X) .1	
DATE	ONE-PLACE (X) .01	
DATE	TWO-PLACE (X) .001	
DATE	THIRD PLACE (X) .0001	
DATE	FOURTH PLACE (X) .00001	

LAST REV. DATE: L36WD

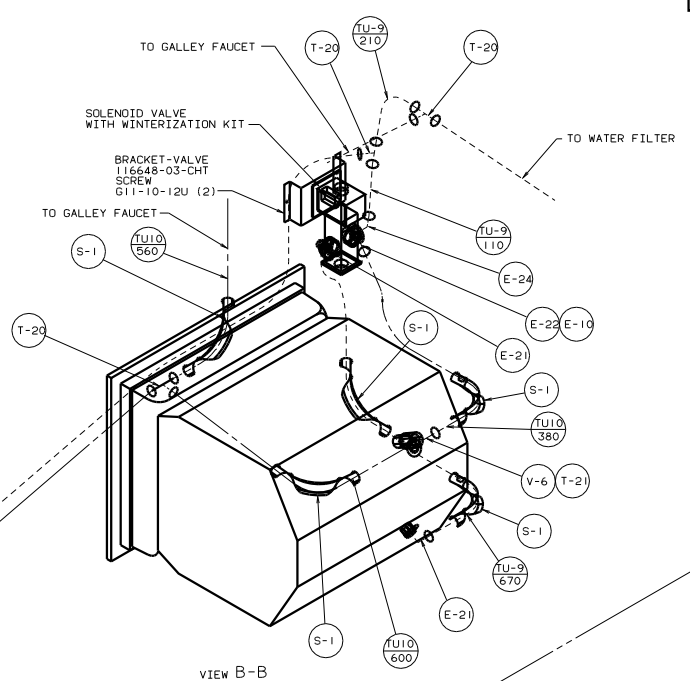
SCALE: NONE

TITLE: WATER SYSTEM INSTL

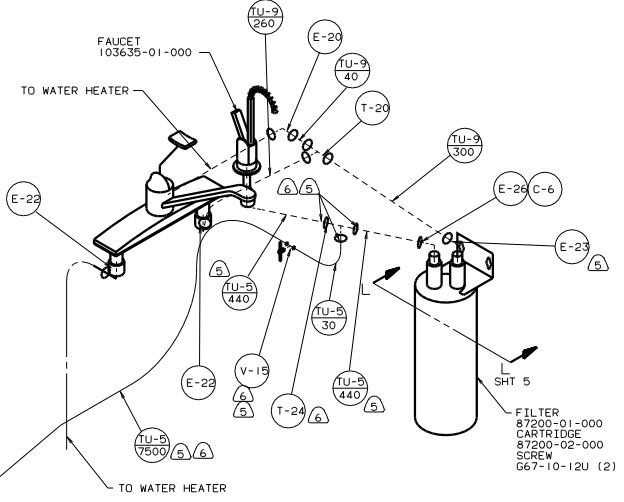
ALL DIMENSIONS ARE IN MILLIMETERS SHEET 1 OF 6



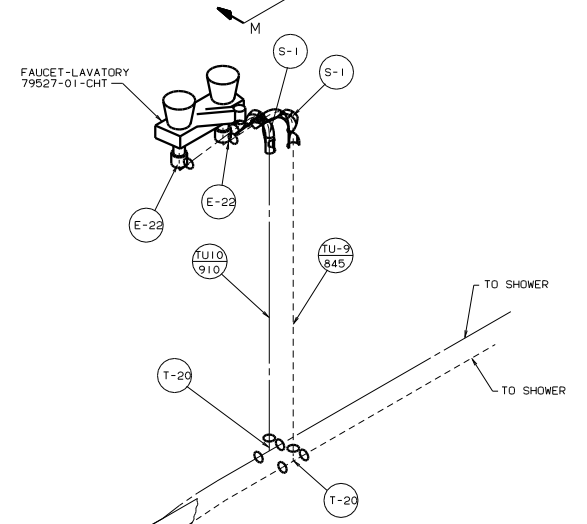
VIEW B-B
SHT 1
53J-WATER HEATER BYPASS VALVE



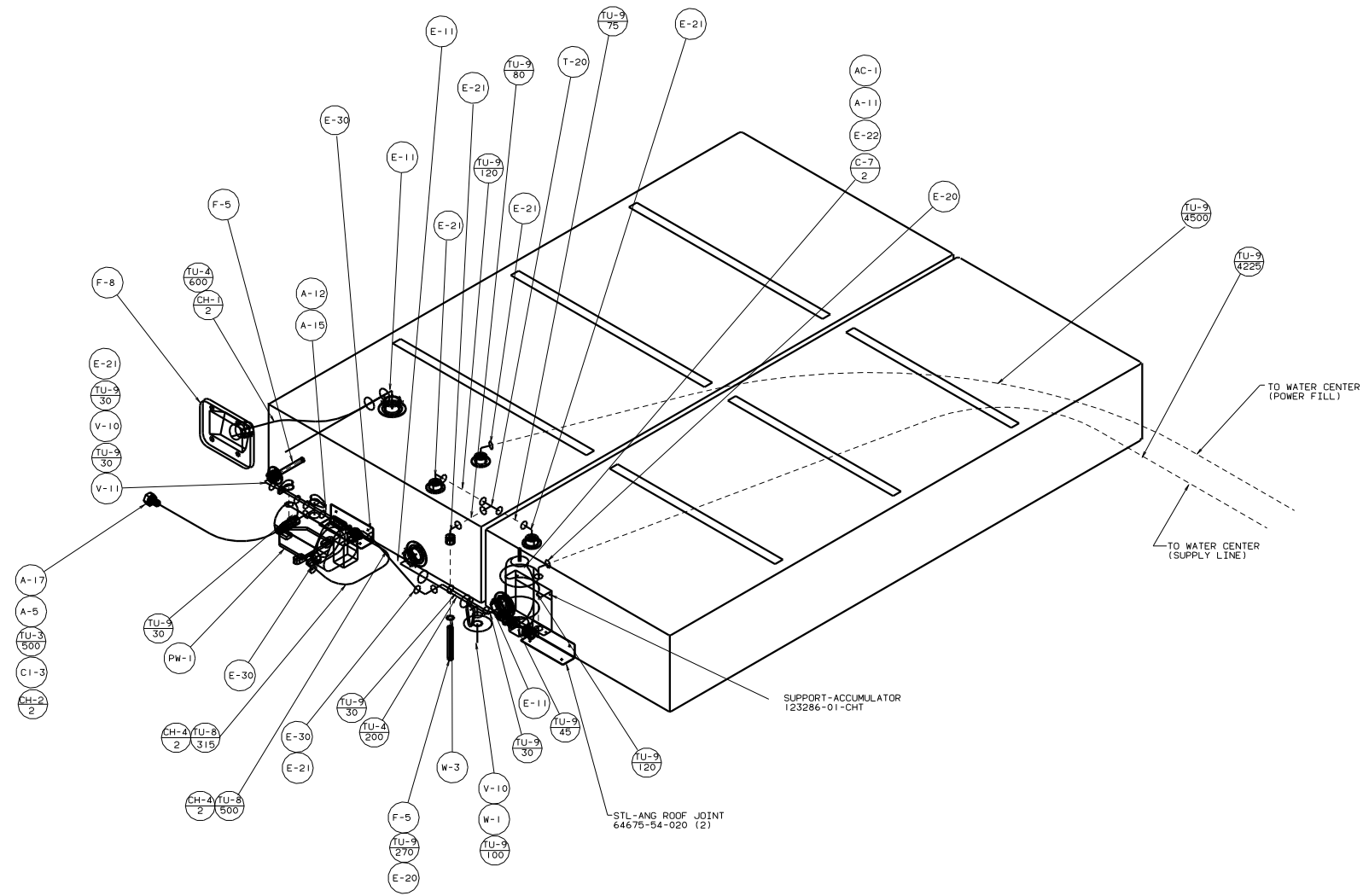
VIEW B-B
SHT 1
530-WATER HEATER AUTOMATIC WINTER



VIEW C-C
SHT 1
29B-WATER PURIFIER



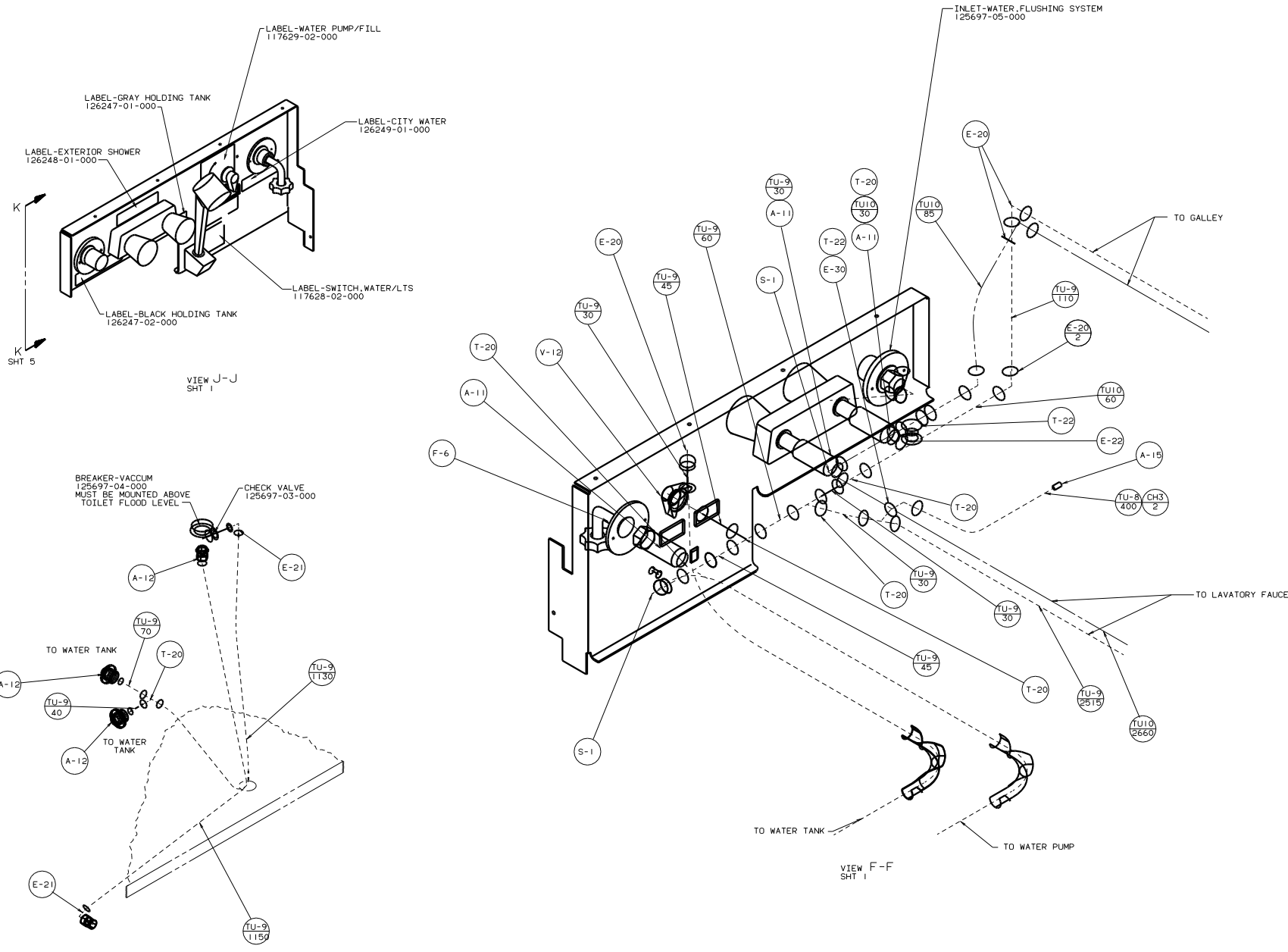
DETAIL D
SHT 1



TO WATER CENTER (POWER FILL)

TO WATER CENTER (SUPPLY LINE)

DETAIL E



VIEW J-J
SHT 1

VIEW F-F
SHT 1

DETAIL G
SHT 1
FLUSHING SYSTEM

98 L36WL

TITLE: WATER SYSTEM INSTL	
NO. OF SHEETS: 6	THIS SHEET: 4 OF 6
DATE: 11/01/05	REV: 1
128651	

