

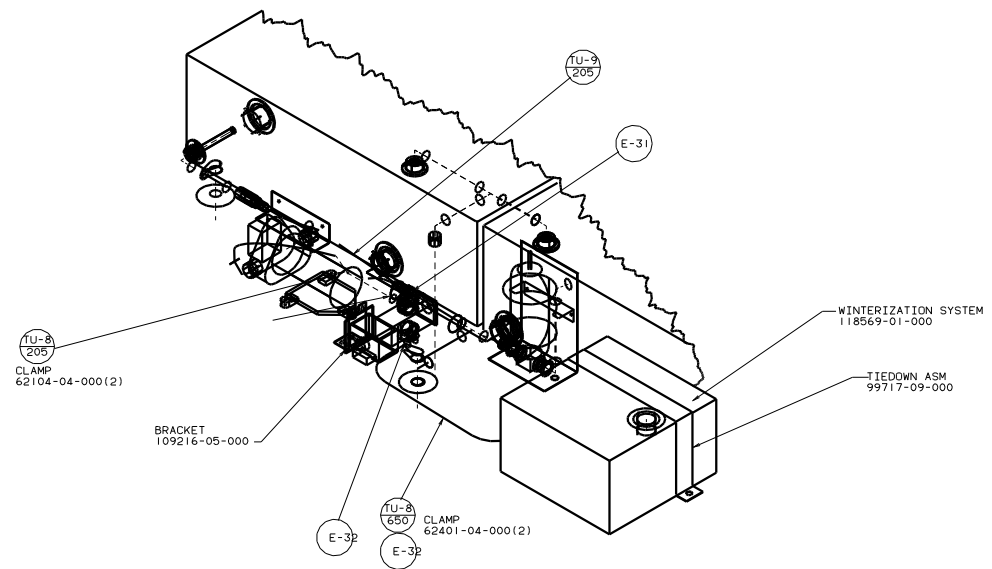
98 L34WY

TITLE: DRAINAGE SYSTEM INSTL		DWG NO 127661	
DATE: 2/05	BY: J.E.	CHK: J.E.	APP: J.E.
SHEET 2 OF 2			

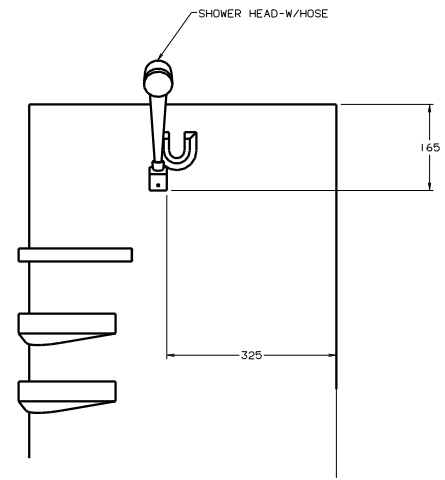




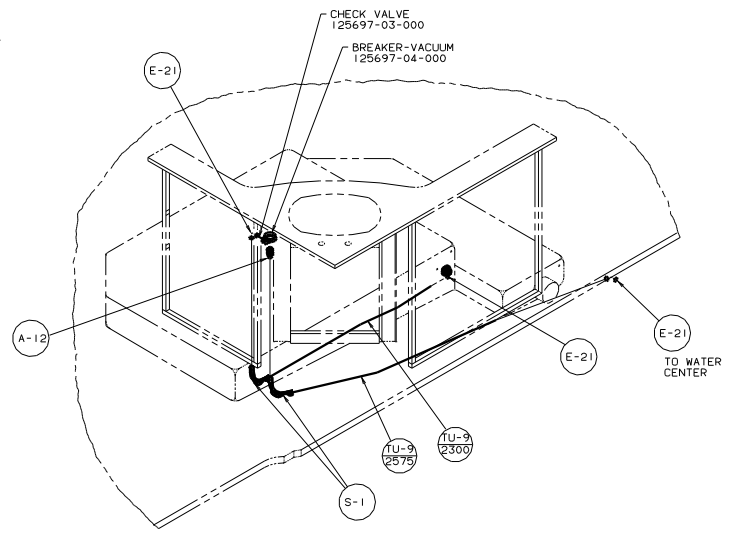




DETAIL E  
530-WINTERIZING KIT



DETAIL D



FLUSHING SYSTEM