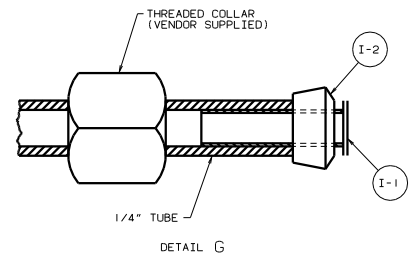
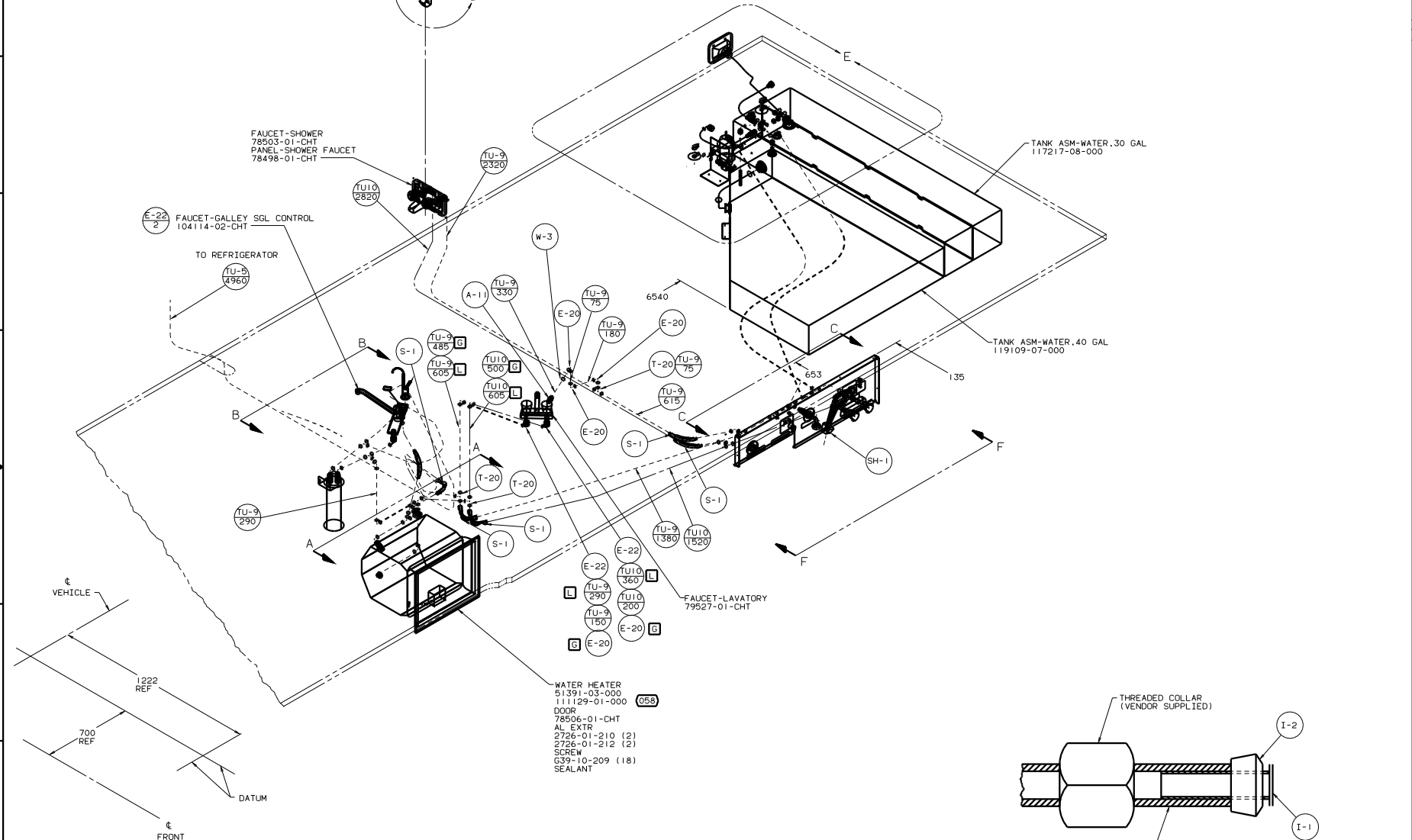


VIEW A-A

TITLE: DRAINAGE SYSTEM INSIL		FIG. NO.	129208
DATE: 2005	DRAWN BY: [blank]	CHECKED BY: [blank]	DATE: [blank]
SHEET 2 OF 2		JOB NO. [blank]	

DWG NO	UNIT	---
129565-01	L33B	L
129565-02	G33B	G



- Ⓐ FLUSHING SYSTEM REQUIRES 125697-06-000 INSTRUCTION SHEET.
 - Ⓑ USE WITH 53J.
 - Ⓒ USE DETAIL "G" IN THIS AREA.
 - Ⓓ USE WITH REFRIGERATOR WITHOUT ICEMAKER.
 - Ⓔ 15U- REFRIGERATOR WITH ICEMAKER.
3. ALL TUBING TO BE SECURED AT 1200 INTERVALS MAXIMUM WITH CLAMP 10495-01-000 OR CLIP 91951-01-000 AND SCREW G67-10-12B.
2. TUBING TO BE INSTALLED WITH SUFFICIENT SLOPE TO PROVIDE DRAINAGE TO NEAREST VALVE.
1. PLASTIC FITTINGS TO BE SEALED WITH SEALANT 84456-01-000.

FOR WATER CALLOUTS SEE DWG NO. 116230-01-000

X-X	
-----	--

LEGEND

HOT ————

COLD ————

058 EUROPEAN EXPORT PREP-PARTIAL

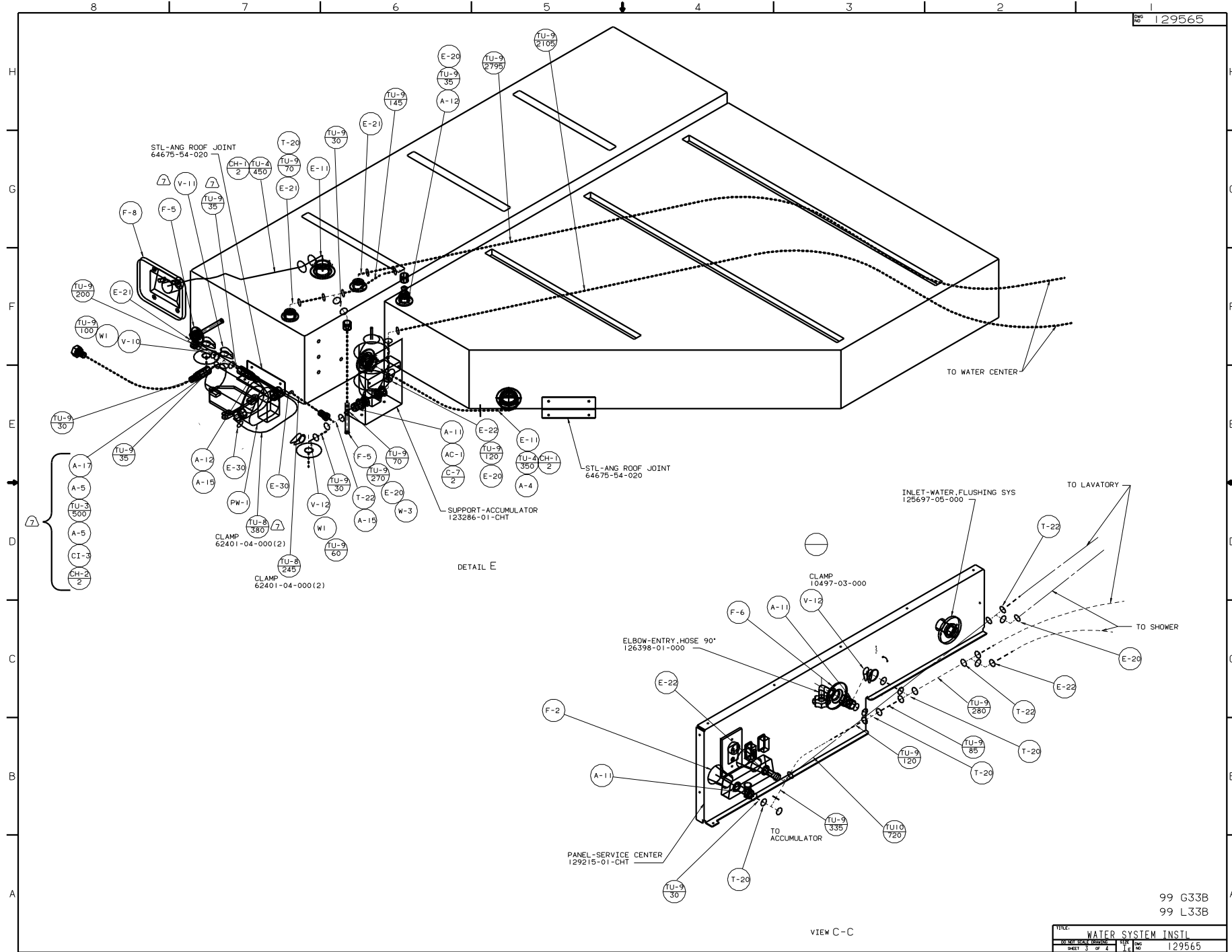
WINNEBAGO 99 L33B

DATE	UNDESIGNED TOLERANCES ARE:	MATERIAL
DATE	HALF DIM (X.X)	
DATE	ONE PLACE (X.XX)	
DATE	TWO PLACE (X.XXX)	
DATE	THREE PLACE (X.XXXX)	
DATE	THREE WHOLE INCHES	

LANE: L33W0 TITLE: WATER SYSTEM INSTL

REV # SCALE: NONE TO THE SCALE SHOWN SHEET 1 OF 4

ALL DIMENSIONS ARE IN MILLIMETERS



STL-ANG ROOF JOINT
64675-54-020

STL-ANG ROOF JOINT
64675-54-020

SUPPORT-ACCUMULATOR
123286-01-CHT

INLET-WATER, FLUSHING SYS
125697-05-000

ELBOW-ENTRY, HOSE 90°
126398-01-000

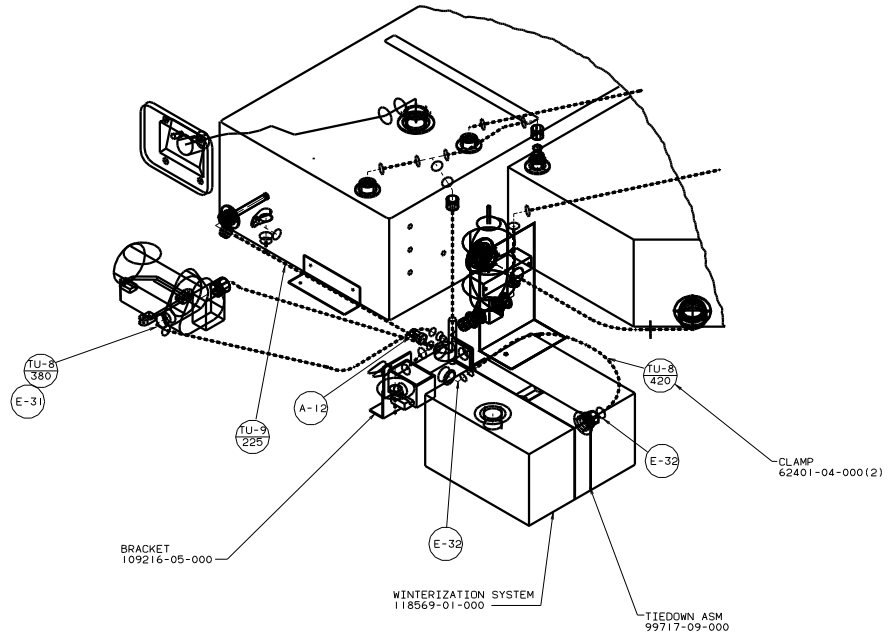
PANEL-SERVICE CENTER
129215-01-CHT

DETAIL E

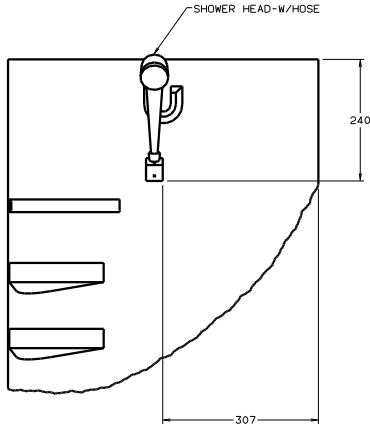
VIEW C-C

TITLE:		WATER SYSTEM INSTL	
DATE:	BY:	CHK:	APP:
SHEET 3	OF 4	1	1

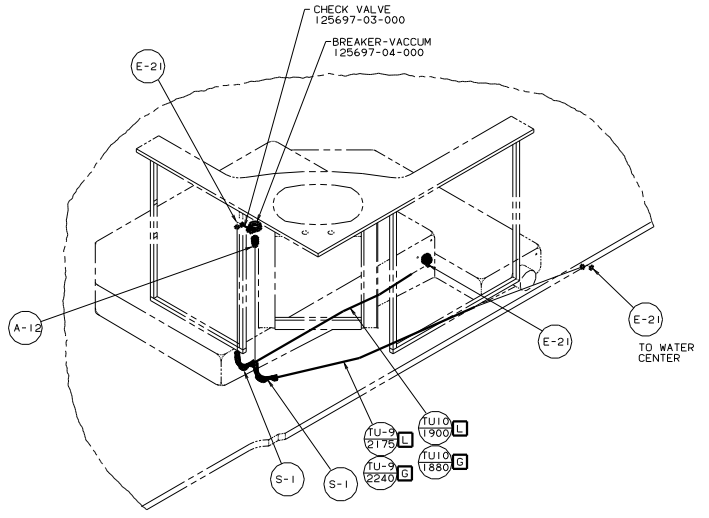
99 G33B
99 L33B



DETAIL E
530- WINTERIZING KIT [L]



DETAIL D



FLUSHING SYSTEM

99 G33B
99 L33B

TITLE:		WATER SYSTEM INSTL	
DO NOT SCALE DRAWING	DATE:	REV:	NO:
SHEET 4 OF 4	1.6		129565