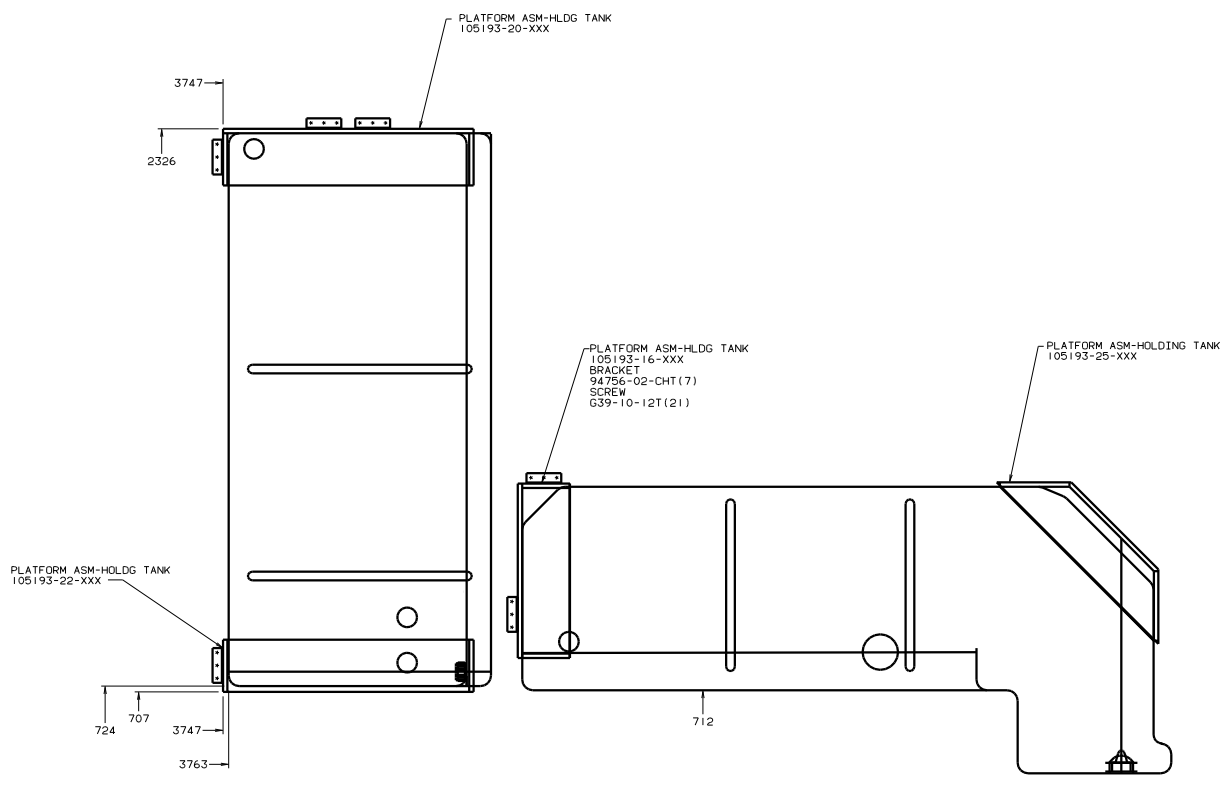


DETAIL E



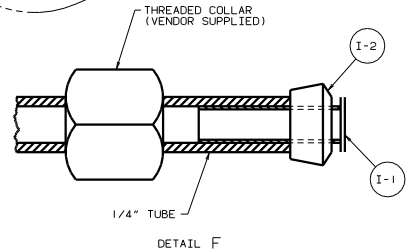
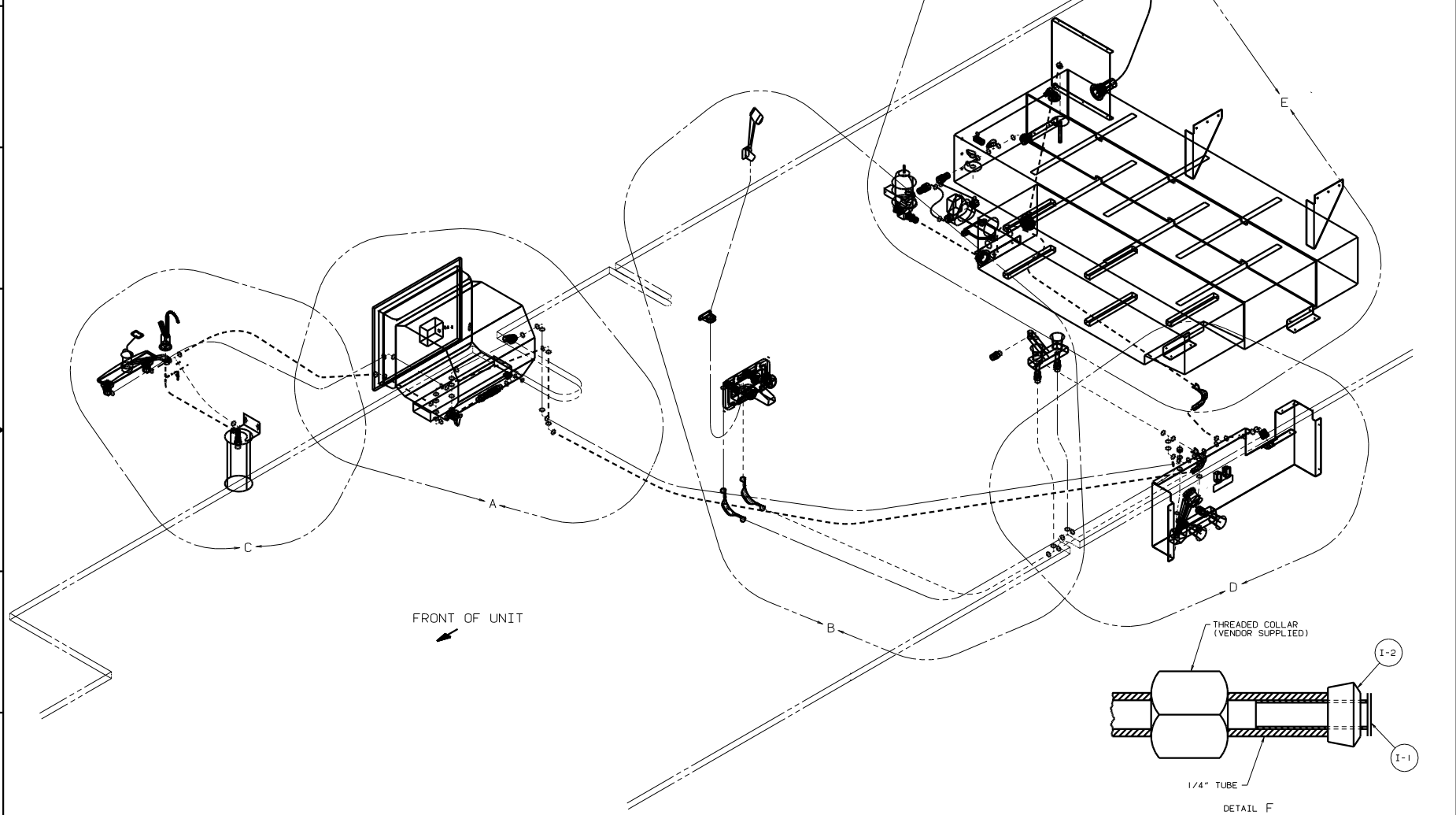
VIEW F-F

99 F & G35C

TITLE: DRAINAGE SYSTEM INSTL		DWG NO: 130312	
DATE: 11/11/05	BY: J.E.	CHK: J.E.	APP: J.E.
SHEET 4 OF 4			

DWG NO	UNIT	----	SHEET
130311-01	G35C	G	1
130311-02	F35C	F	1
130311-03	G35C	G	2
130311-04	F35C	F	2

(TCM) (16M)  
 (TCM) (16M)  
 (16M)  
 (16M)



- NOTES:
1. PLASTIC FITTINGS TO BE SEALED WITH SEALANT 84456-01-000.
  2. TUBING TO BE INSTALLED WITH SUFFICIENT SLOPE TO PROVIDE DRAINAGE TO NEAREST VALVE.
  3. ALL TUBING TO BE SECURED AT 1200 INTERVALS MAXIMUM WITH CLIP 91951-01-000 AND SCREW G13-06-16U.
- LOCATE CUTOUT TO SUPPORT WATER HEATER.
- CLAMP MUST BE ON BARBS.
- USE WITH WATER PURIFIER.
- 15U REFRIGERATOR WITH ICEMAKER.
- USE DETAIL "F" IN THIS AREA.

(TCM) FORD CHASSIS 20,500#/V10 ENG  
 (16M) FORD CHASSIS 18,000#/V10 ENG  
 (TCM) CHEVY CHASSIS 16,500 LB.GVWR

**WINNEBAGO** 99 G35C

DATE	BY	DESCRIPTION

LAYOUT NO: G35C TITLE: WATER SYSTEM INSTL  
 REV # SCALE: NONE 200 NET SCALE: 3/16" = 1" SHEET 1 OF 6  
 ALL DIMENSIONS ARE IN MILLIMETERS

130311

