

SH-1  
 F-2  
 PANEL  
 78498-01-CHT  
 SCREW  
 611-08-12B (4)  
 COVER  
 78500-01-CHT (4)

FAUCET  
 79527-03-CHT  
 GASKET  
 91253-01-000

F-2  
 SH-1  
 BRACKET-SHOWERHEAD  
 (SUPPLIED WITH SHOWER)  
 SCREW  
 639-08-08U (2)

BRACKET ASM-FAUCET  
 125869-01-CHT

DRIP PAN  
 114293-01-CHT

FAUCET  
 104114-02-CHT

WATER HEATER  
 51393-01-000  
 DOOR  
 78506-01-CHT  
 EXTR  
 2726-01-210  
 2726-01-212(3)  
 SCREW  
 639-10-209(18)  
 SEALANT

4 CUTOUT  
 113147-01-XXX  
 (418 X 190)  
 SCREW  
 667-10-328(2)

SCREW  
 G66-08-12U (3)  
 SEALANT

**LEGEND**

HOT ---  
 COLD - - - -

**FOR WATER CALLOUTS SEE DWG NO. 116230-01-000**

(X-X)

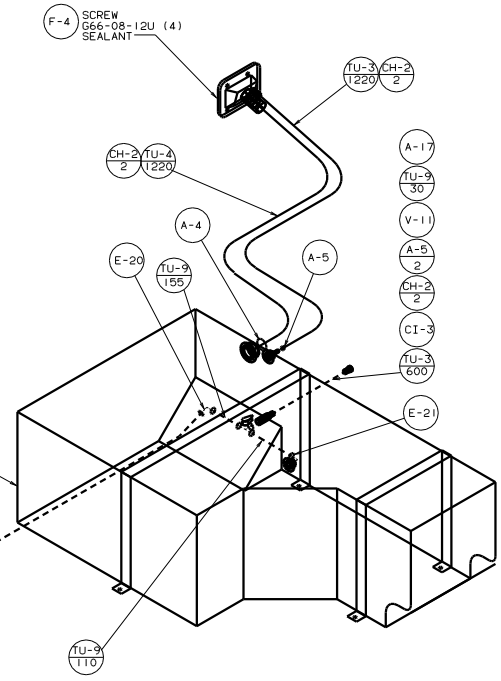
**WINNEBAGO** 99 F31B

DATE	UNDESIGNED TOLERANCES ARE:	MATERIAL
DATE	ONE-PLACE (1X.01)	
DATE	TWO-PLACE (1X.005)	
DATE	THREE-PLACE (1X.001)	
DATE	INDUS. W/AVE PRODUCTION	

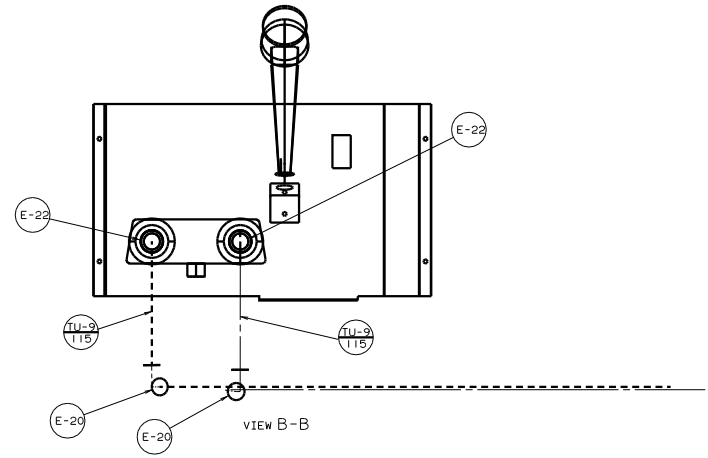
LAYOUT 98F31W0 TITLE WATER SYSTEM INSTL  
 SHEET 1 OF 3 REF: 125861 L 1  
 129317

- NOTES:
- LOCATE CUTOUT TO SUPPORT WATER HEATER.
  - ALL TUBING TO BE SECURED AT 12" MAXIMUM SPACING WITH CLAMP 10495-01-000 AND SCREW 667-10-12B.
  - PLASTIC FITTING TO BE SEALED WITH SEALANT 84456-01-000.
  - TUBING TO BE INSTALLED WITH SUFFICIENT SLOPE TO PROVIDE DRAINAGE TO NEAREST VALVE.

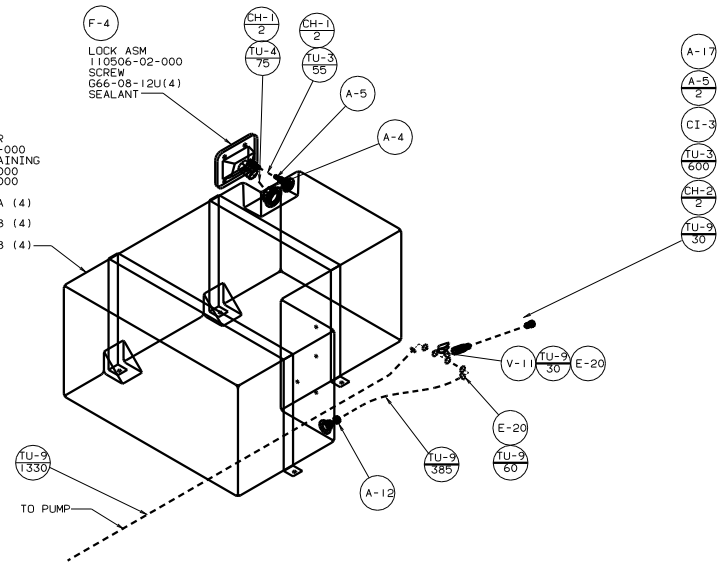
TANK-WATER  
 125359-03-000  
 STRAP-RETAINING  
 54168-31-000  
 54168-32-000  
 BOLT  
 C18-05-40A (4)  
 WASHER  
 E13-16-00B (4)  
 NUT  
 D34-06-00B (4)



DETAIL A  
 49X BED-QUEEN



TANK-WATER  
 121959-02-000  
 STRAP-RETAINING  
 54168-27-000  
 54168-28-000  
 BOLT  
 C18-05-04A (4)  
 WASHER  
 E13-16-00B (4)  
 NUT  
 D34-06-00B (4)



DETAIL A  
 45G BED-TWINS