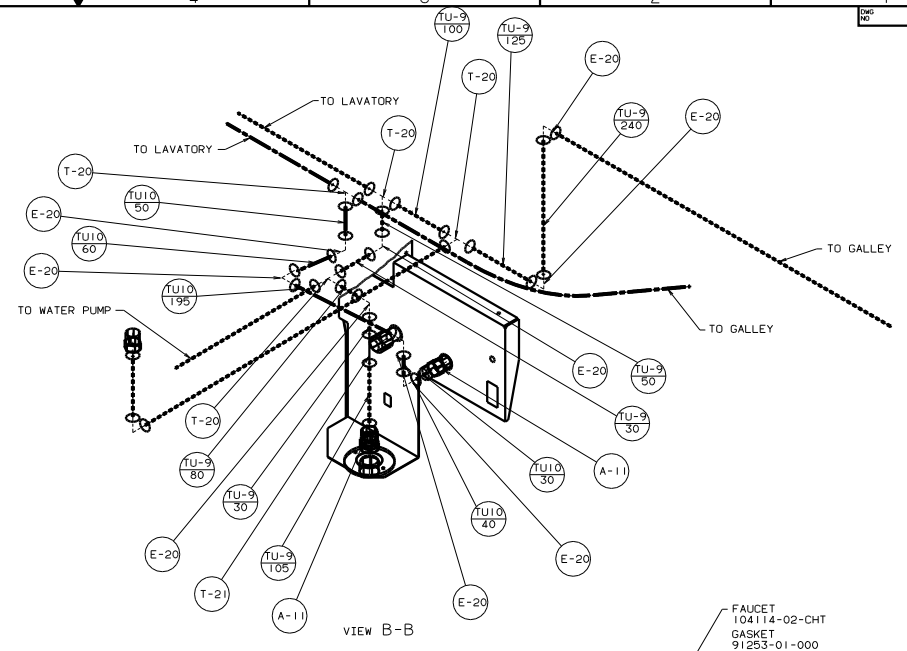
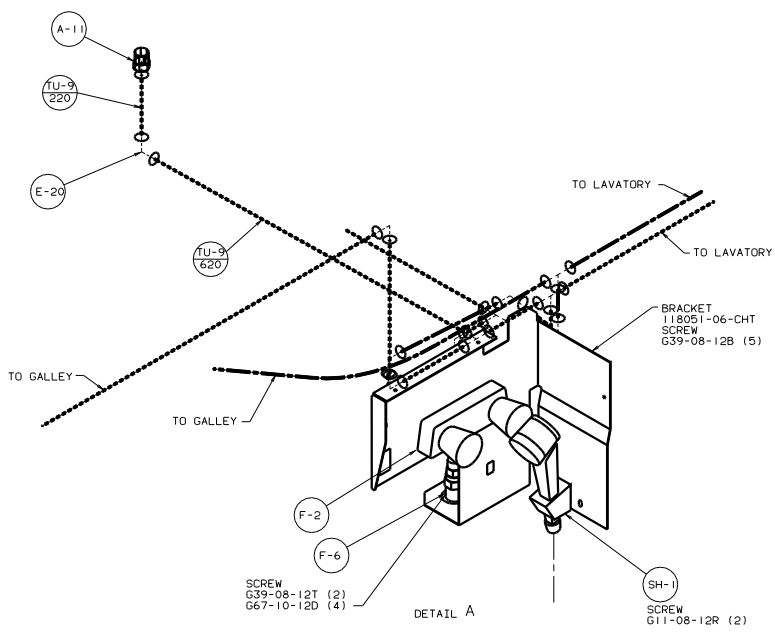
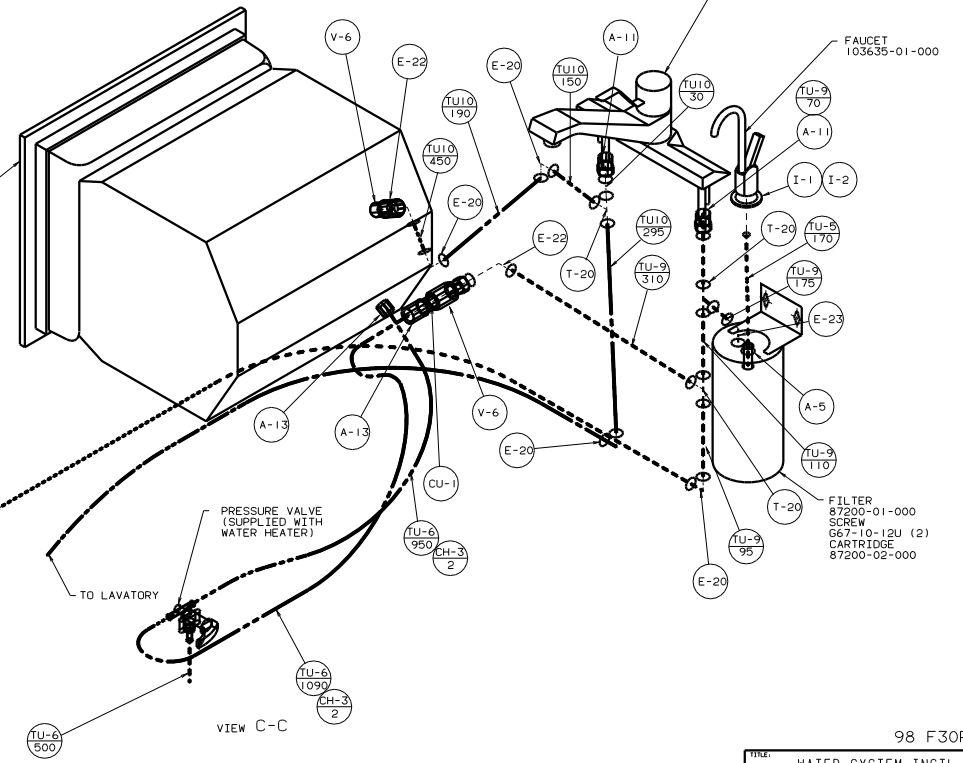


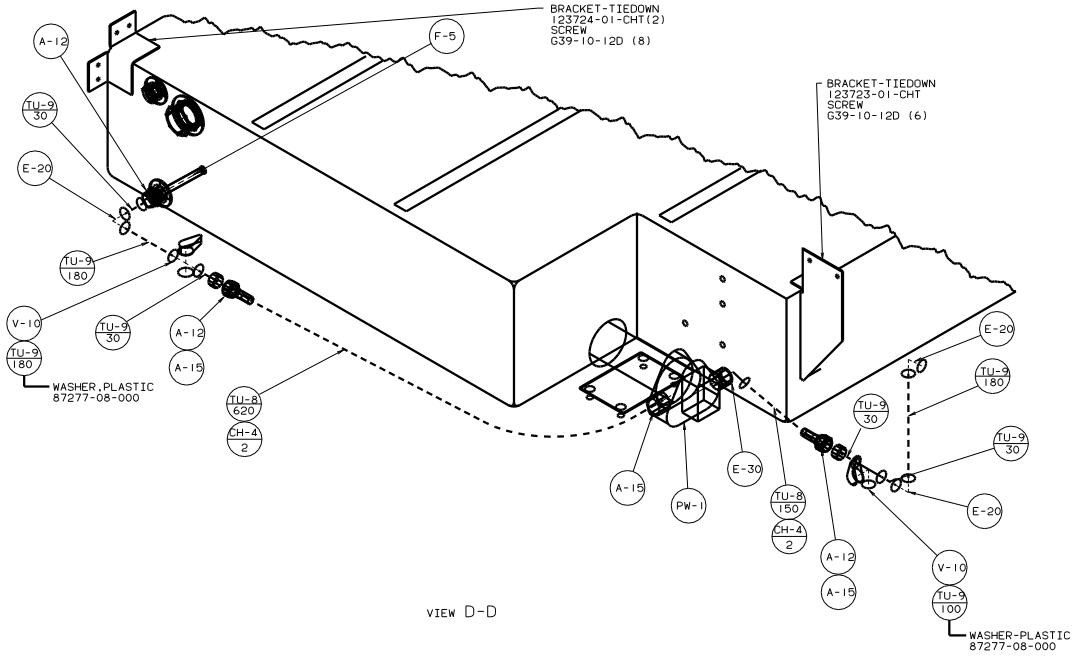
97 F30RQ

TITLE: DRAINAGE SYSTEM INSTL	
DATE: 11/11/05	REV: 1
SHEET: 2 of 2	DWG NO: 122103



- WATER HEATER
111129-01-000
- DOOR
78506-01-CHT
- GARNISH
2726-01-210 (2)
- 2726-01-212 (2)
- SCREW
G39-10-209 (18)
- SEALANT
CUTOUT
113147-01-XXX
(90 X 418)
- SCREW
G67-10-32B (2)





VIEW D-D

TITLE: WATER SYSTEM INSTL	
30 1/2" SCALE DRAWING	REV 1.0
SHEET 3 OF 3	127877