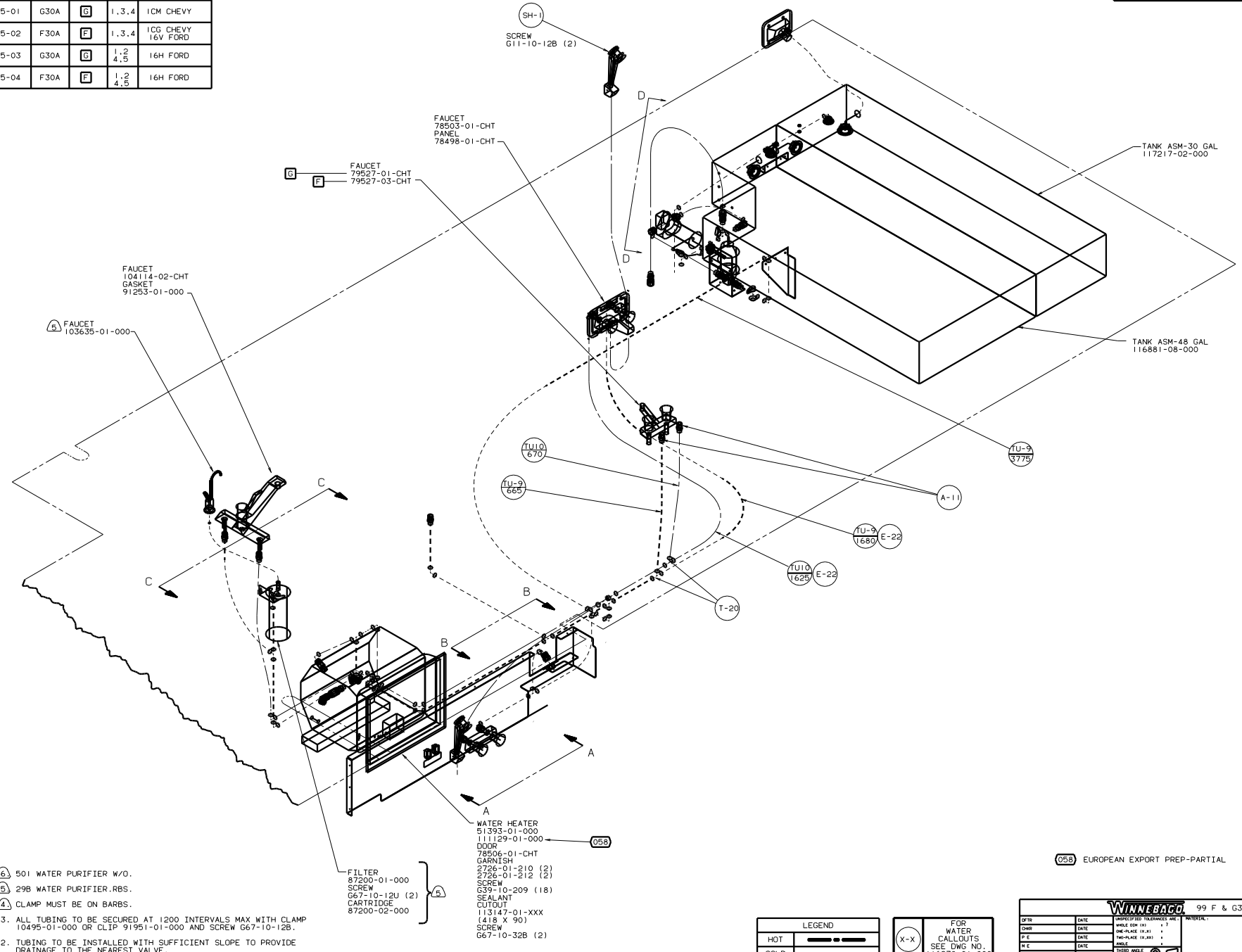


99 F & G30A

TITLE: DRAINAGE SYSTEM INSTL		DWG NO: 129711	
NO. OF SHEETS	SHEET NO.	REV.	DATE
2	2	1	E

DWG NO	----	----	SHEET	
129665-01	G30A	G	1, 3, 4	1CM CHEVY
129665-02	F30A	F	1, 3, 4	1CG CHEVY 16V FORD
129665-03	G30A	G	1, 2 4, 5	16H FORD
129665-04	F30A	F	1, 2 4, 5	16H FORD

RELEASE BY DATE DTG NO 129665
 REF ZONE REVISION RECORD DATE EPR-9912



- 501 WATER PURIFIER W/O.
- 29B WATER PURIFIER.RBS.
- CLAMP MUST BE ON BARBS.

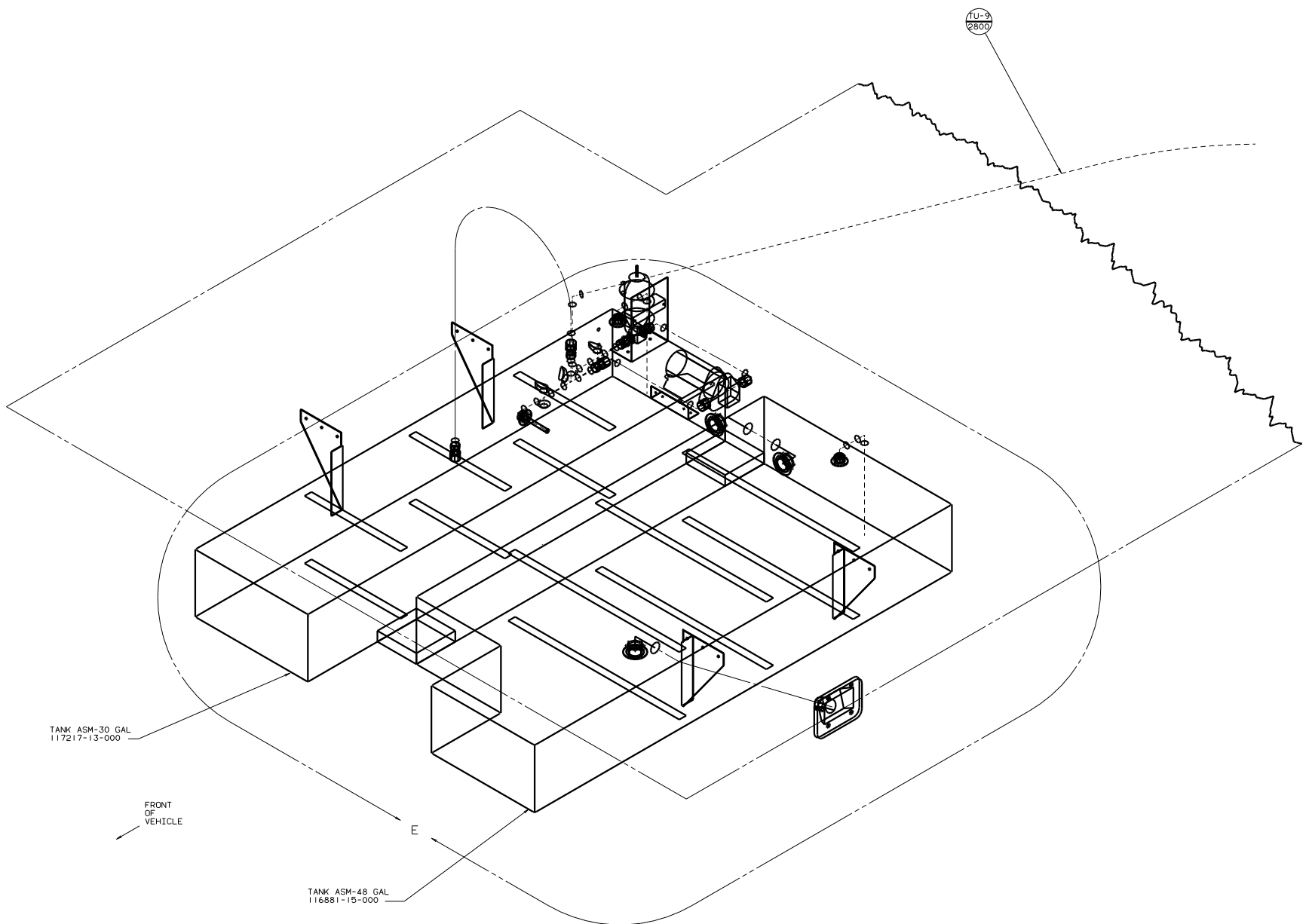
- ALL TUBING TO BE SECURED AT 1200 INTERVALS MAX WITH CLAMP 10495-01-000 OR CLIP 91951-01-000 AND SCREW 667-10-12B.
- TUBING TO BE INSTALLED WITH SUFFICIENT SLOPE TO PROVIDE DRAINAGE TO THE NEAREST VALVE.
- PLASTIC FITTINGS TO BE SEALED WITH SEALANT 84456-01-000.

- WATER HEATER 51393-01-000
- DOOR 111129-01-000
- DOOR 78506-01-CHT
- GARNISH 2726-01-210 (2)
- 2726-01-212 (2)
- SCREW 667-10-12U (2)
- SCREW 639-10-209 (18)
- SEALANT CUTOUT 113147-01-XXX (418 X 90)
- SCREW 667-10-32B (2)

05B EUROPEAN EXPORT PREP-PARTIAL

LEGEND		FOR WATER CALLOUTS SEE DWG NO. 116230-01-000
HOT	—————	
COLD	••••••••	

		99 F & G30A																																			
		<table border="1"> <thead> <tr> <th>QTY</th> <th>DATE</th> <th>UNDESIGNED TOLERANCES ARE:</th> <th>MATERIAL</th> </tr> </thead> <tbody> <tr> <td>WHOLE OR 1/2</td> <td></td> <td></td> <td></td> </tr> <tr> <td>ONE-PLACE (R.A.)</td> <td></td> <td></td> <td></td> </tr> <tr> <td>TWO-PLACE (R.A.)</td> <td></td> <td></td> <td></td> </tr> <tr> <td>MIX</td> <td></td> <td></td> <td></td> </tr> <tr> <td>DATE</td> <td></td> <td></td> <td></td> </tr> <tr> <td>DATE</td> <td></td> <td></td> <td></td> </tr> <tr> <td>DATE</td> <td></td> <td></td> <td></td> </tr> <tr> <td>DATE</td> <td></td> <td></td> <td></td> </tr> </tbody> </table>		QTY	DATE	UNDESIGNED TOLERANCES ARE:	MATERIAL	WHOLE OR 1/2				ONE-PLACE (R.A.)				TWO-PLACE (R.A.)				MIX				DATE				DATE				DATE				DATE	
QTY	DATE	UNDESIGNED TOLERANCES ARE:	MATERIAL																																		
WHOLE OR 1/2																																					
ONE-PLACE (R.A.)																																					
TWO-PLACE (R.A.)																																					
MIX																																					
DATE																																					
DATE																																					
DATE																																					
DATE																																					
LAYOUT NO. G30A REV # SCALE: NONE ALL DIMENSIONS ARE IN MILLIMETERS	TITLE: WATER SYSTEM INSTL SHEET 1 OF 5 REF: 1262616																																				



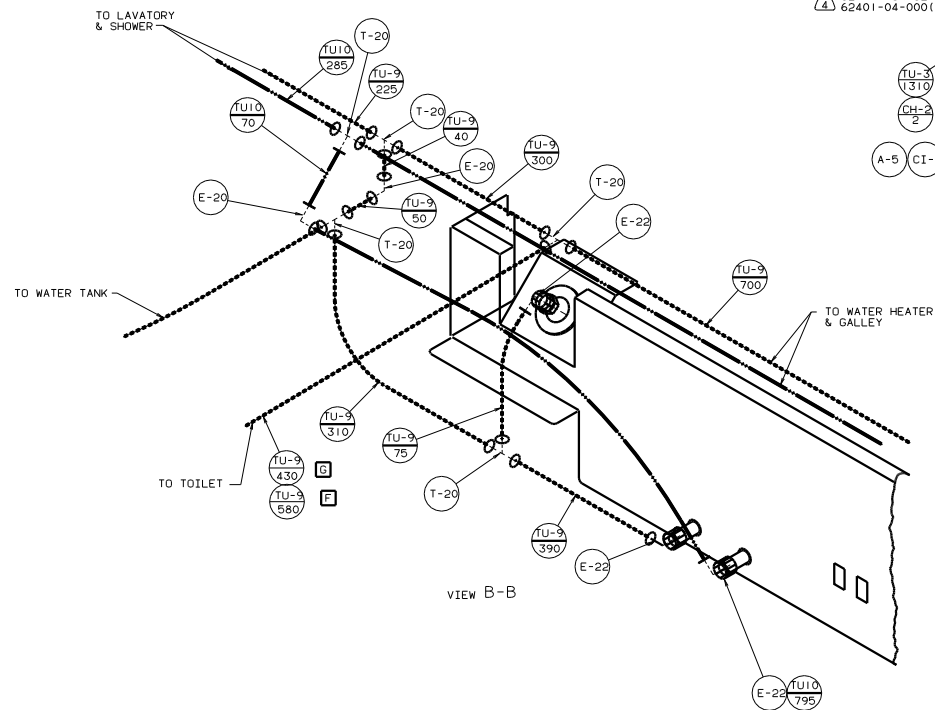
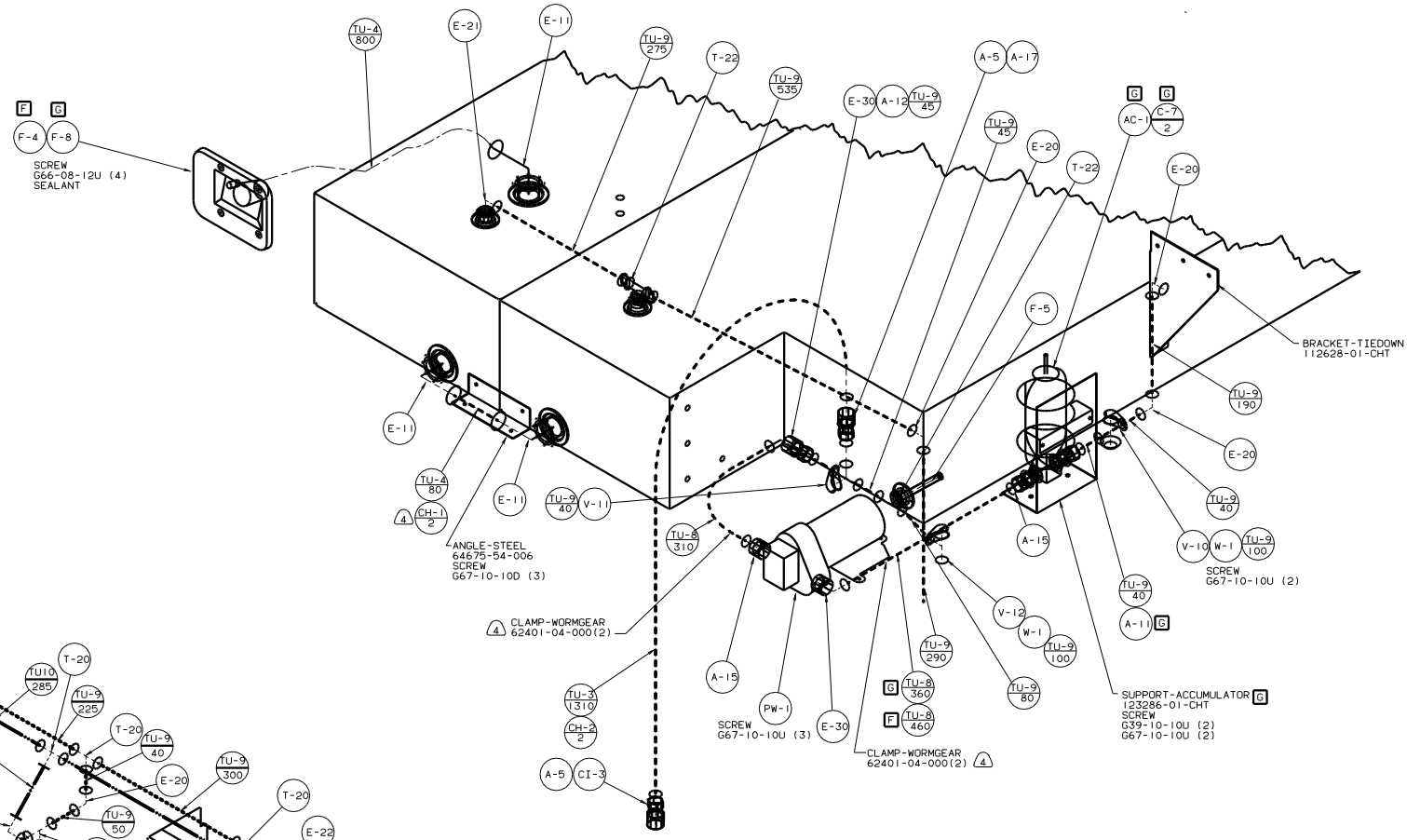
TANK ASM-30 GAL
117217-13-000

FRONT
OF
VEHICLE

TANK ASM-48 GAL
116881-15-000

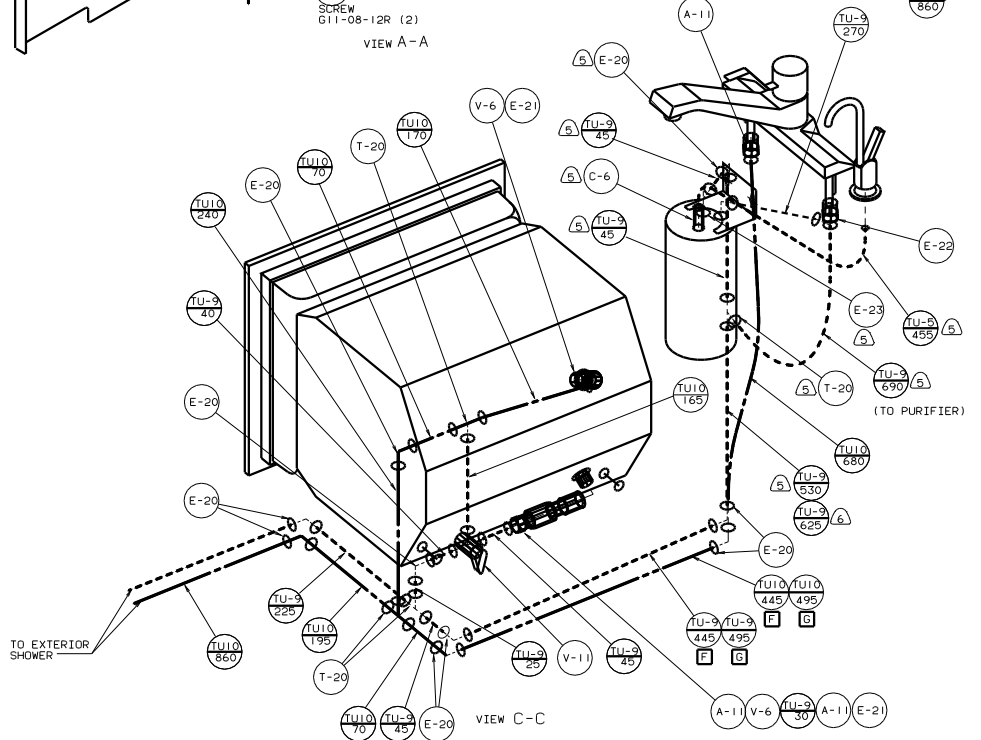
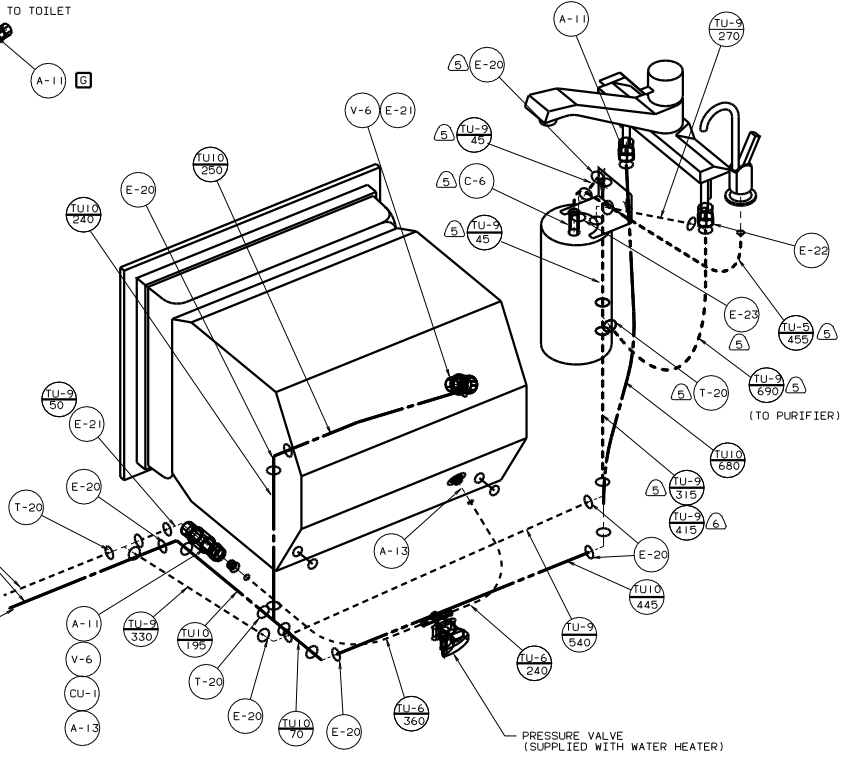
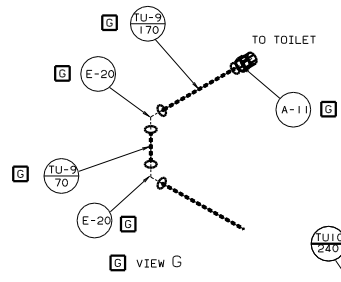
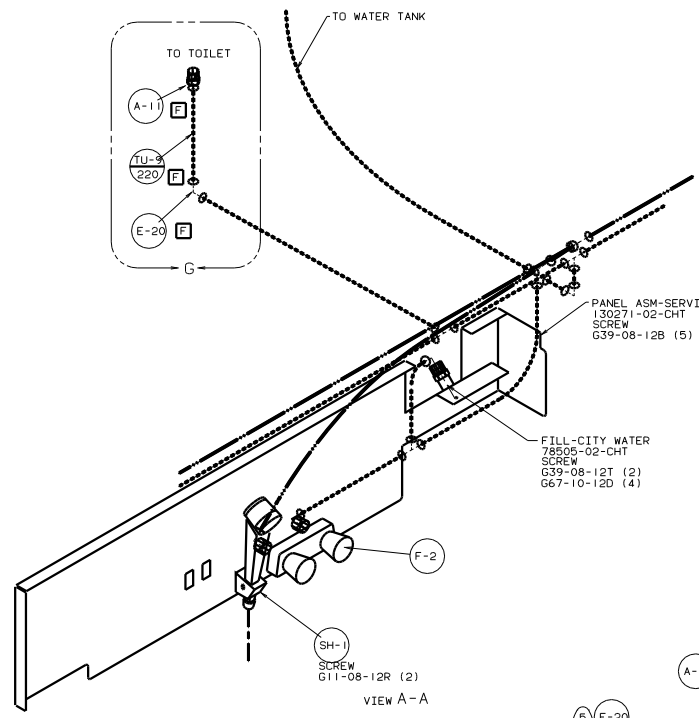
TITLE: WATER SYSTEM INSTL		DWG NO: 129665	
30 X 42 SCALE: AS SHOWN	DATE: 1/6	SHEET 2 OF 5	

99 G30A, FORD

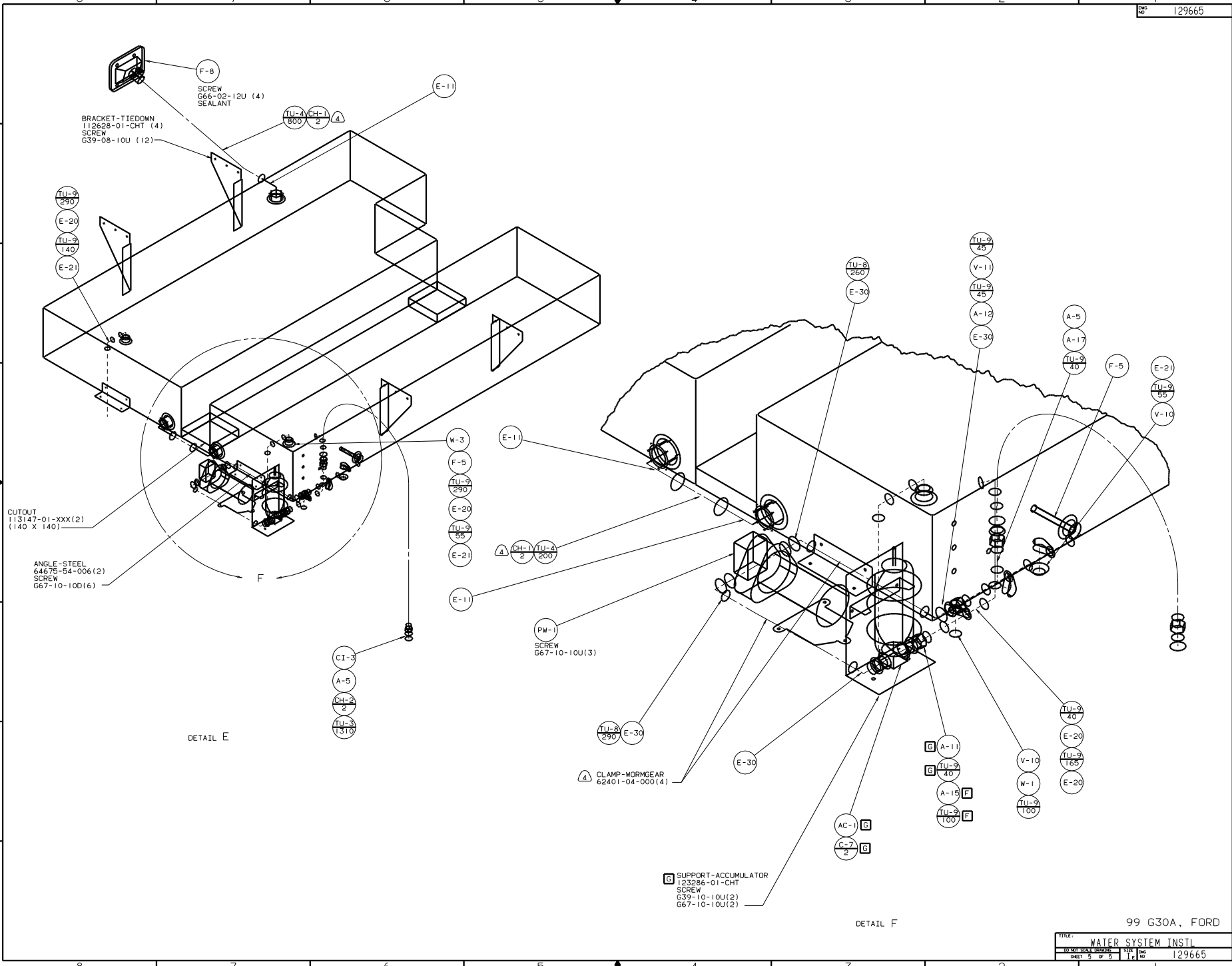


VIEW B-B

VIEW D-D



05B PARTIAL EUROPEAN EXPORT PREP PACKAGE



F-8
SCREW
G66-02-12U (4)
SEALANT

BRACKET-TIEDOWN
112628-01-CHT (4)
SCREW
G39-08-10U (12)

CUTOUT
113147-01-XXX(2)
(140 X 140)

ANGLE-STEEL
64675-54-006(2)
SCREW
G67-10-10D(6)

DETAIL E

G SUPPORT-ACCUMULATOR
123286-01-CHT
SCREW
G39-10-10U(2)
G67-10-10U(2)

DETAIL F

TITLE		99 G30A, FORD	
WATER SYSTEM INSTL		129665	
NO	REV	DATE	BY
5	5		