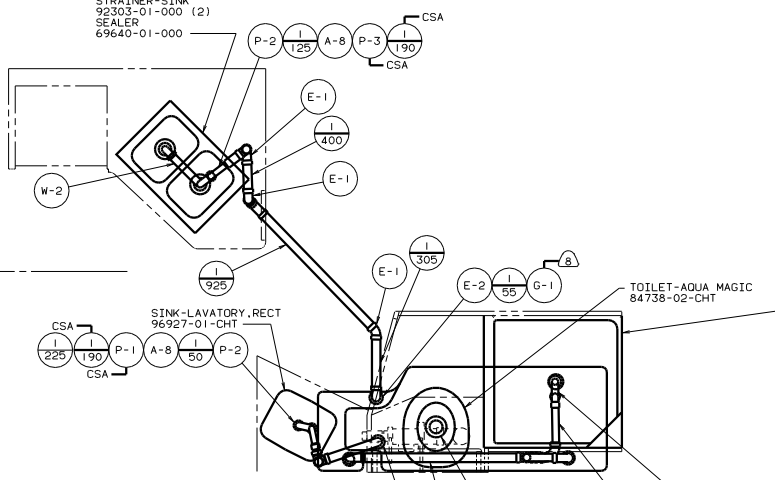


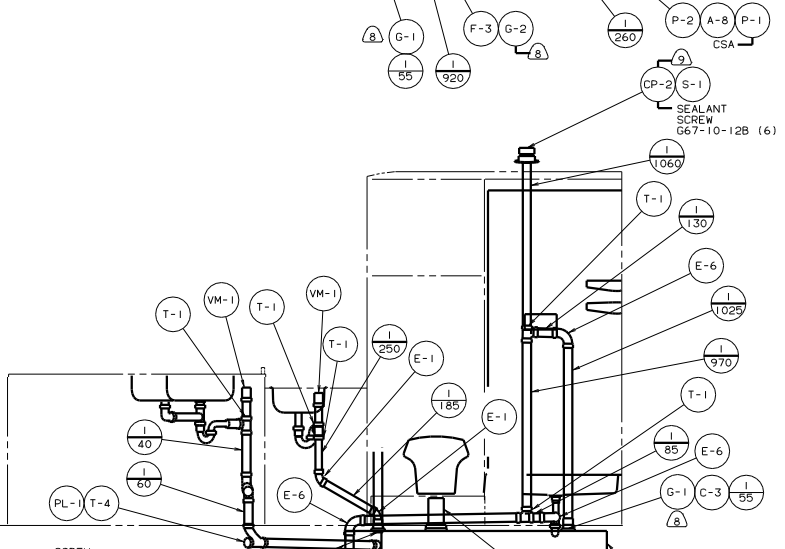
SINK-SST.DOUBLE
 110654-01-000
 RETAINER
 105497-01-000
 105497-02-000 (5)
 SCREW
 G67-06-10U (22)
 STRAINER-SINK
 92303-01-000 (2)
 SEALER
 69640-01-000



SINK-LAVATORY, RECT
 96927-01-CHT
 CSA
 225 190 P-1 A-8 50 P-2
 CSA

TOILET-AQUA MAGIC
 84738-02-CHT

SHOWER INSTL-ENCLOSURE (7)
 102834-01-000
 STRAINER
 66729-01-000
 SEALANT
 (10) NUT
 WASHER-RUBBER
 127440-02-CHT
 TAILPIECE
 11069-03-000 (US)
 11069-02-000 (CAN)



SCREW
 G67-10-12B (8)
 BRACKET
 35061-01-000 (8)
 CLAMP
 62401-05-000 (4)

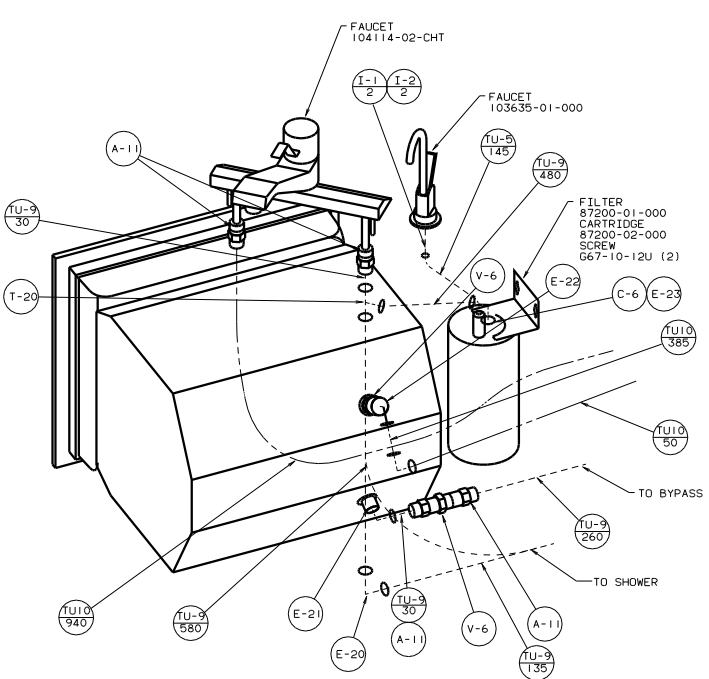
TANK-HOLDING, 30 GAL
 117925-02-000
 PLATFORM ASM
 122992-02-000
 122992-06-000

TANK-HOLDING, 35 GAL
 117924-02-000

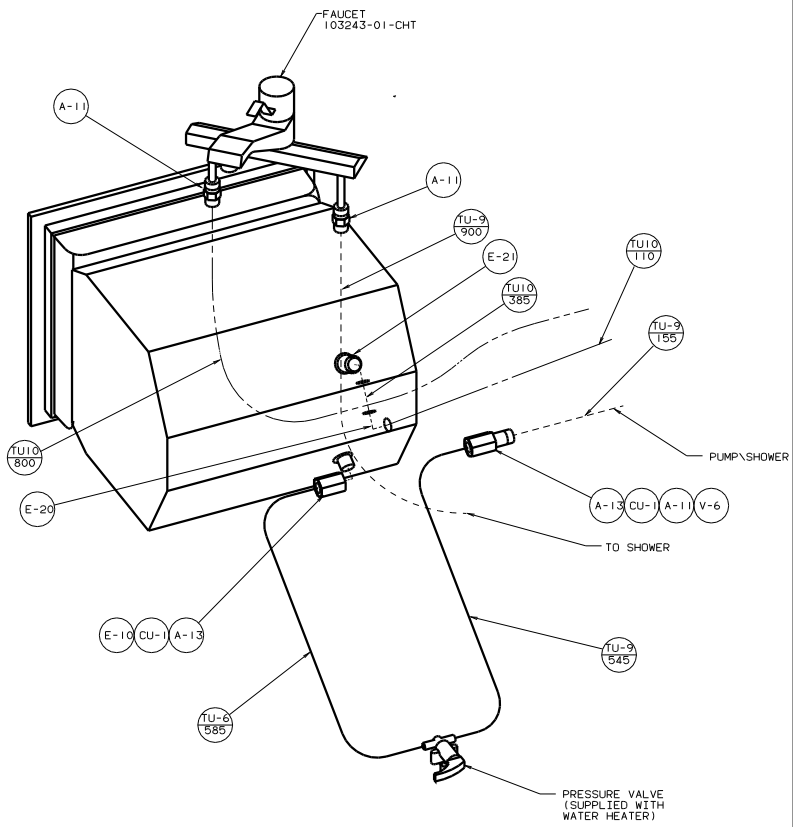
- (2) SECURE PIPES TO CABINET USING WIRE TIE 108046-02-000 AND SCREW G67-10-12U(8).
- (1) SECURE VENT TUBES TO FLOOR.
- (10) INCLUDED WITH GALLEY STRAINER.
- (9) VENT PIPE MUST PROJECT 51 MM MIN AND 63.5 MM MAX ABOVE ROOF FOR PROPER FIT AND FUNCTION.
- (8) SEE DWG 61607-01-000 FOR INSTL OF GROMMET.
- (7) SEAL ALL AROUND SHOWER WITH SILICONE 78474-01-CHT.
- 6. FOR CAN UNITS EACH HOLDING TANK SHALL HAVE A CSA APPROVAL STAMPED NEAR THE IAPMO APPROVAL.
- 5. EXPOSED PIPE ABOVE ROOF TO BE PAINTED 37163-01-000.
- 4. ALL EXTERIOR OPENINGS AROUND PIPE TO BE SEALED WITH 69637-01-000.
- 3. ALL PIPE AND FITTINGS TO BE ASSEMBLED WITH SOLVENT 4020-01-000.
- 2. SLOPE OF TRAP ARM MUST BE 6 PER 305.
- 1. SLOPE OF HORIZONTAL PIPING TO BE 6 PER 305 MINIMUM.

FOR DRAINAGE CALLOUTS SEE DWG NO. 116229-01-000

WINNEBAGO		96 F25RC
QTY IN	UNSPECIFIED TOLERANCES ARE:	MATERIAL
CHD	FRAMES (FR)	
W/E	ONE-PIECE (FR, AI)	
W/E	TWO-PIECE (FR, AI)	
W/E	WELD	
W/E	INDUS. WELD	
W/E	PROTECTION	
LAYOUT F25RC	TITLE	DRAINAGE SYSTEM INSTL
REV #	SCALE	NOTE
ALL DIMENSIONS ARE IN MILLIMETERS	SHEET	1 OF 1
	FIG NO	118017



VIEW C-C
(WITH WATER FILTER)



VIEW C-C 6