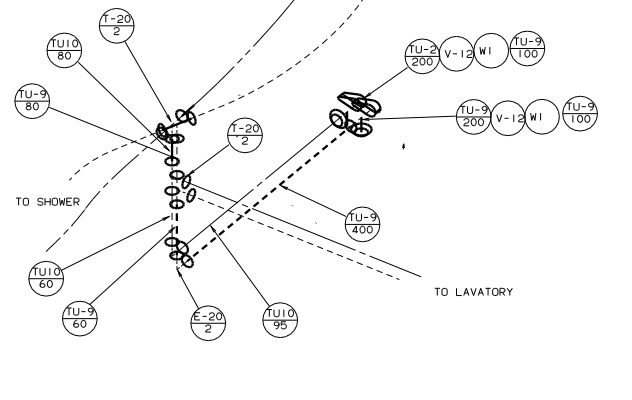
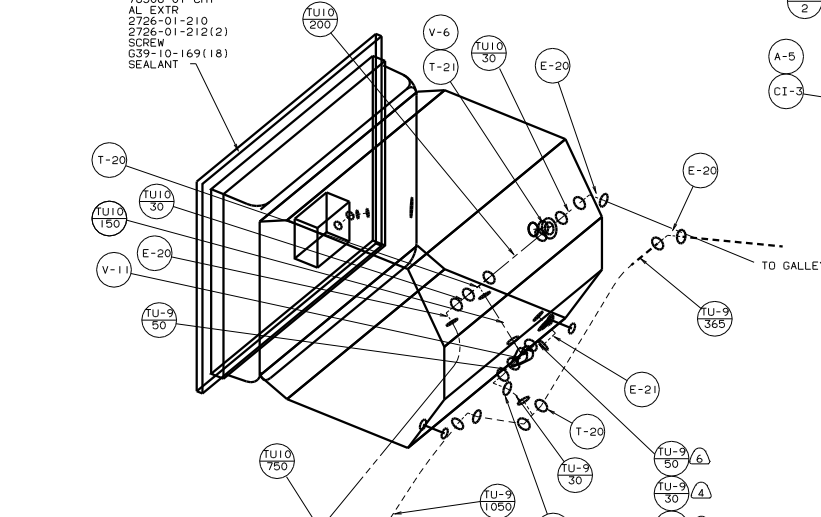
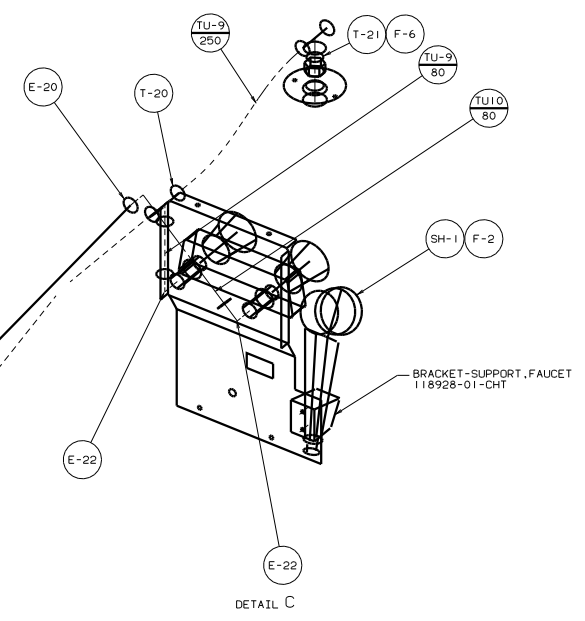
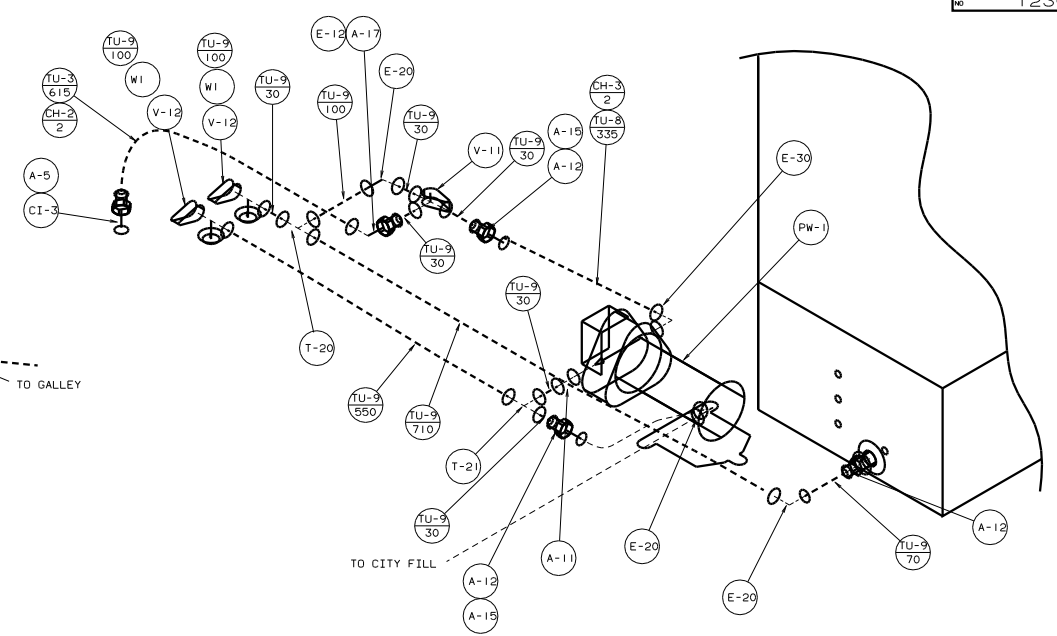


- WATER HEATER
- 51391-01-000
- (MANUAL IGNITION)
- 51391-02-000
- (ELECTRONIC IGNITION)
- 51391-03-000
- (W/MOTOR AID)
- DOOR
- 78506-01-CHT
- AL EXTR
- 2726-01-210
- 2726-01-212(2)
- SCREW
- G39-10-169(18)
- SEALANT



VIEW A-A



DETAIL C

TITLE		WATER SYSTEM INSTL	
NO	REV	DATE	BY
2	2		
SHEET		123097	