

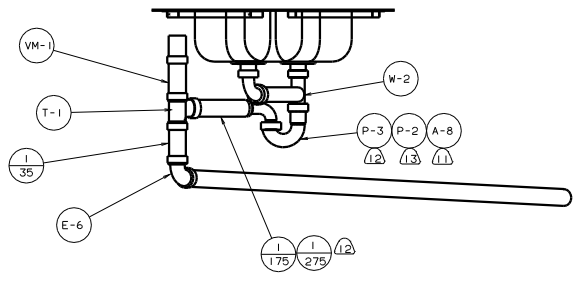
- (A) 331WT ONLY.
- (B) TRIM TO FIT.
- (C) CSA ONLY.
- (D) US ONLY.
- (E) SECURE VENT TUBES TO FLOOR WITH BRACKET.
- (F) VENT PIPE MUST PROJECT 51 MM MIN AND 64 MM MAX ABOVE ROOF FOR PROPER FIT AND FUNCTION.
- 8. SEE DWG 61607-01-000 FOR INSTL OF GROMMETS.
- 7. SEAL ALL AROUND SHOWER WITH SILICONE.
- 6. FOR CANADIAN UNITS EACH HOLDING TANK SHALL HAVE A CSA APPROVAL STAMPED NEAR THE IAMPO APPROVAL.
- 5. EXPOSED PIPE ABOVE ROOF TO BE PAINTED WITH 37163-01-000.
- 4. ALL EXTERIOR OPENINGS AROUND PIPE TO BE SEALED WITH 11074-01-000.
- 3. ALL PIPE AND FITTINGS TO BE ASSEMBLED WITH SOLVENT 4020-01-000.
- 2. SLOPE OF TRAP ARM MUST BE 6 PER 305.
- 1. SLOPE OF HORIZONTAL PIPING TO BE 6 PER 305 MIN.

- (G) SECURE PIPES TO CABINET USING WIRE TIE 108046-02-000 AND SCREW G67-10-120(8).
- (H) NOT USED WITH 43G INTERIOR UPGRADE PACKAGE.
- (I) 43G INTERIOR UPGRADE PACKAGE.

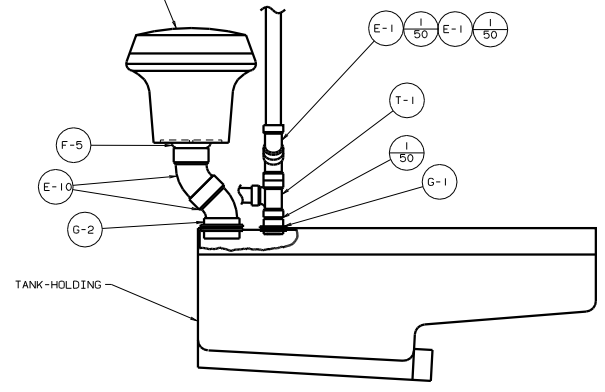
(X-X) FOR DRAINAGE CALLOUTS SEE DWG NO. 116229-01-000

<p><b>WINNEBAGO</b> 98 331WM/WT</p>	
<p>DATE: 07/20/05                  DWG: 127520                  P/E: JMM                  W/C: JMM                  DMD: JMM</p>	<p>DATE: 07/20/05                  DATE: 07/20/05                  DATE: 07/20/05                  DATE: 07/20/05</p>
<p>LAYOUT: 331WM                  SHEET: 1 OF 2</p>	<p>TITLE: DRAINAGE SYSTEM INSTL                  SHEET: 1 OF 2</p>
<p>SCALE: NONE                  UNITS: MILLIMETERS</p>	<p>DATE: 07/20/05                  DWG NO: 127520</p>

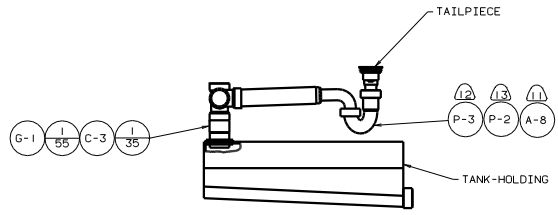
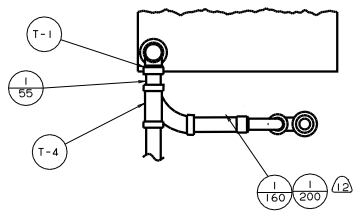
TOILET-SHORTY, AQUA IV  
84738-01-CHT  
SCREW  
87721-01-000 (6)



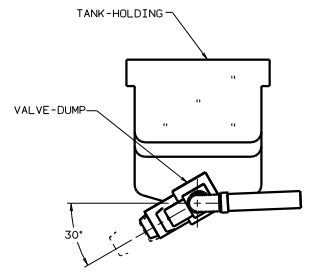
VIEW A-A



VIEW B-B



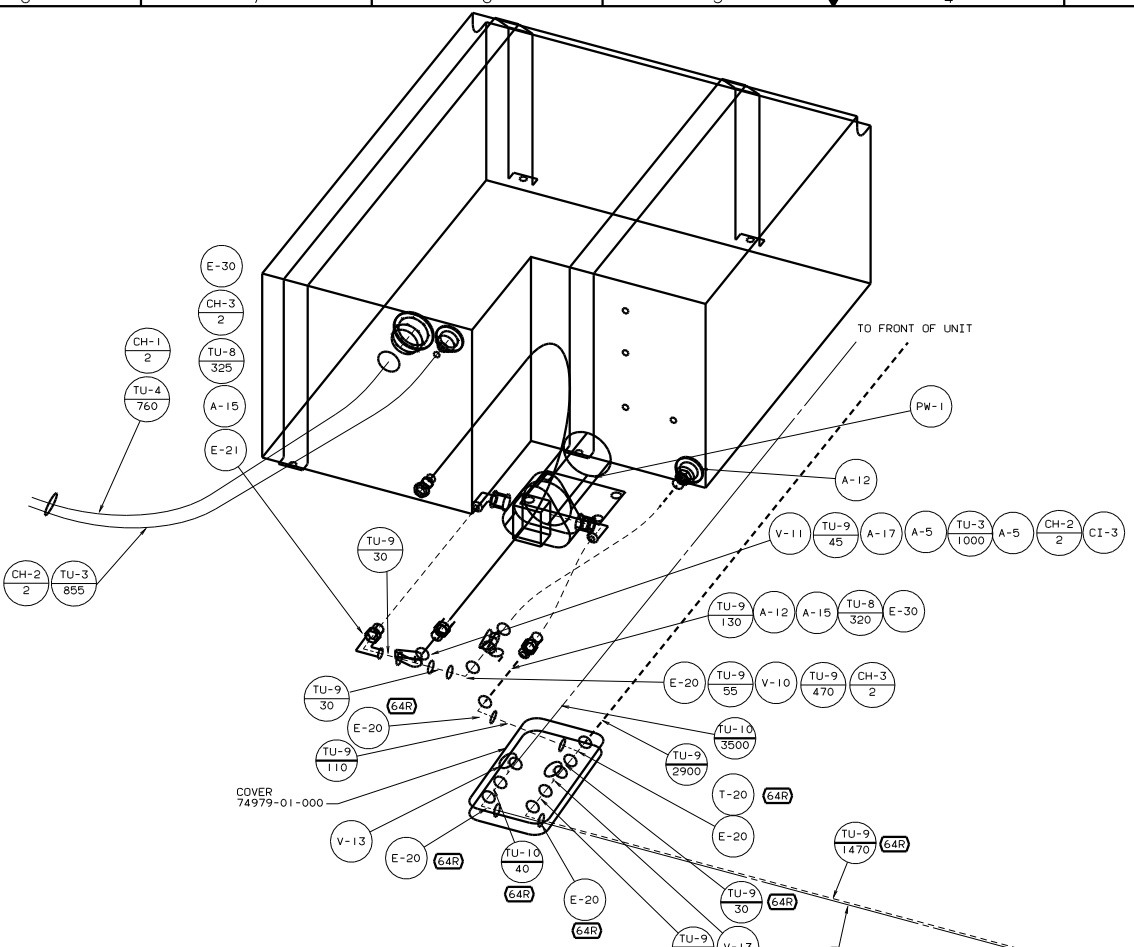
VIEW C-C



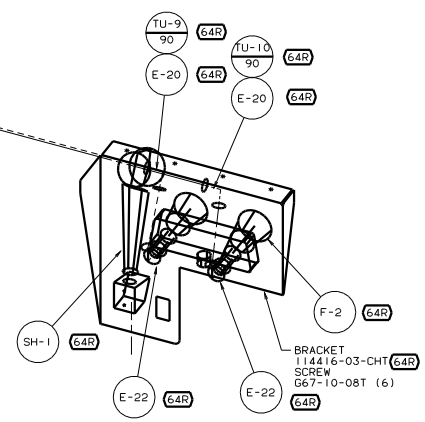
VIEW D-D







VIEW D-D  
44X BED-QUEEN, SIDEWALL  
45G BED-TWINS



99 331C/T