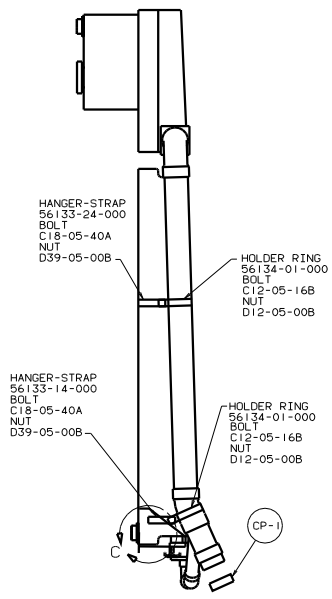
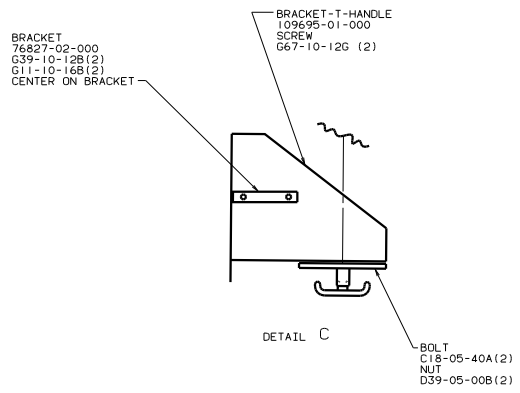


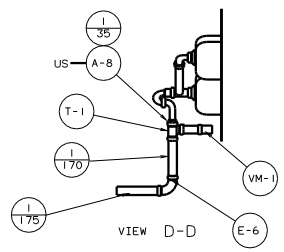
VIEW A-A



VIEW B-B

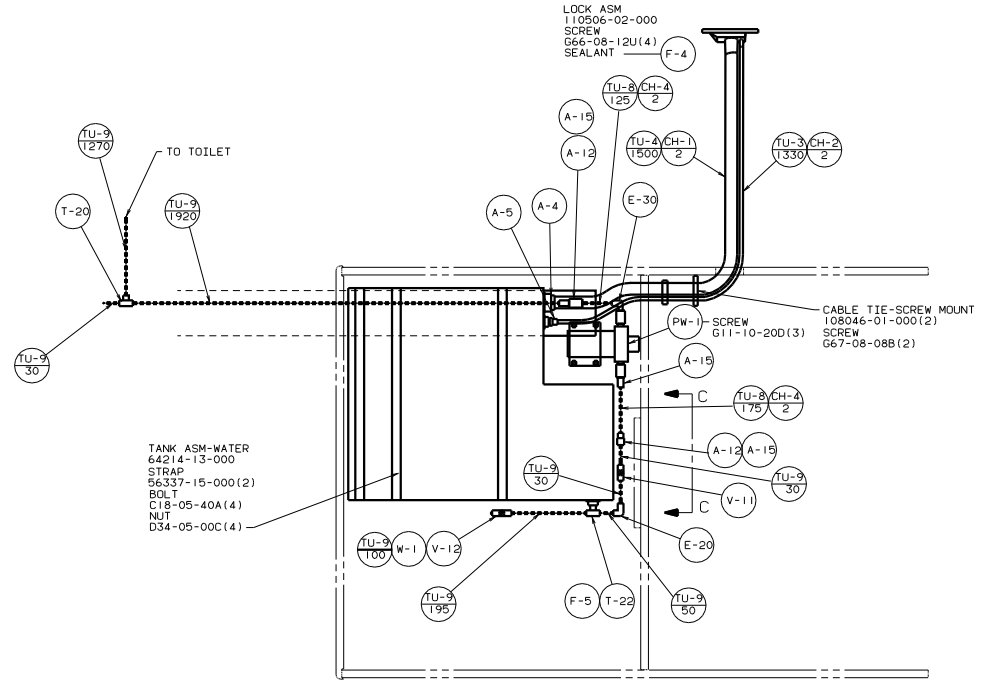


DETAIL C

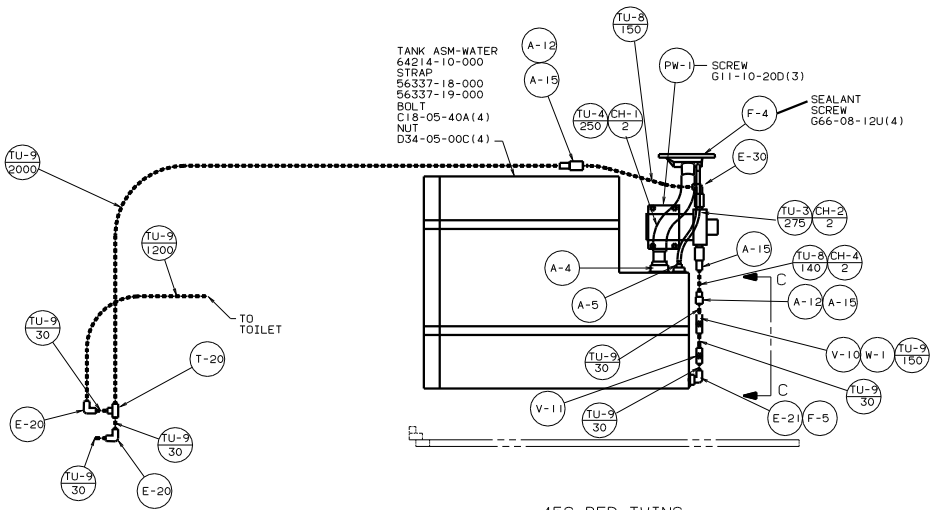
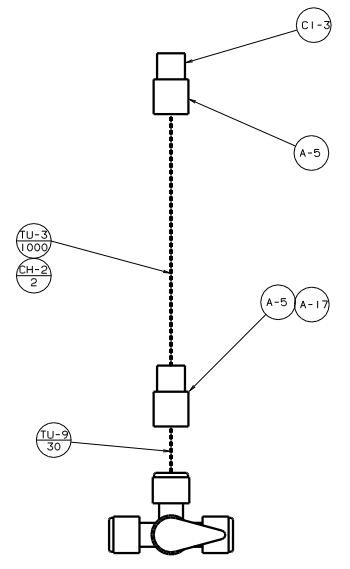


VIEW D-D

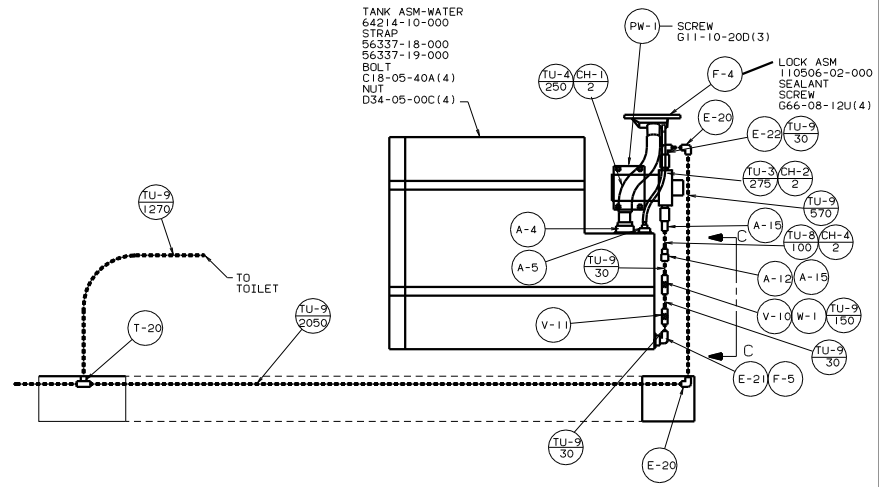




49X BED-QUEEN BACKWALL



45G BED-TWINS



44V BED-DOUBLE SIDEWALL