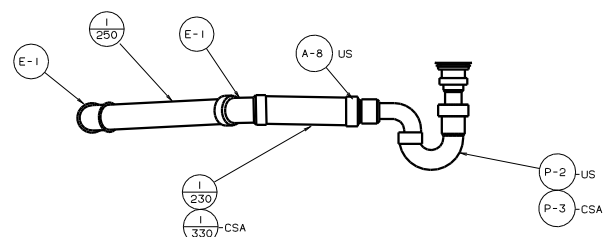
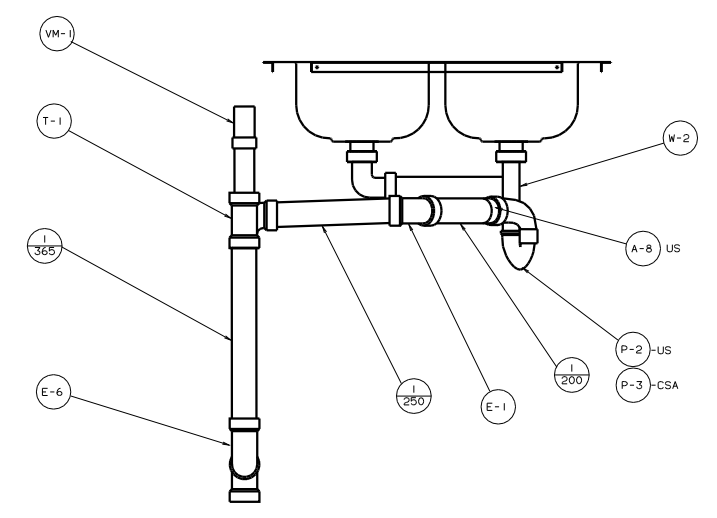


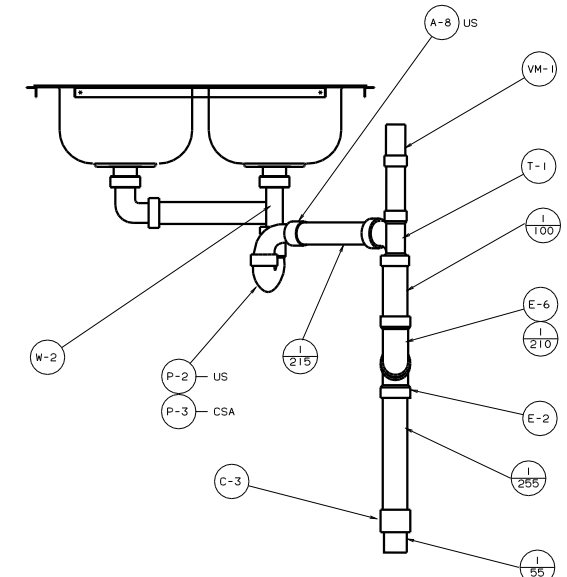
VIEW A-A



VIEW C-C



VIEW B-B
327U



VIEW E-E
327P

99 327U/P

TITLE: DRAINAGE SYSTEM INSTL	
30 DAY ROLL DESIGN	FIG. NO. 130428
SHEET 2 OF 2	1/E

