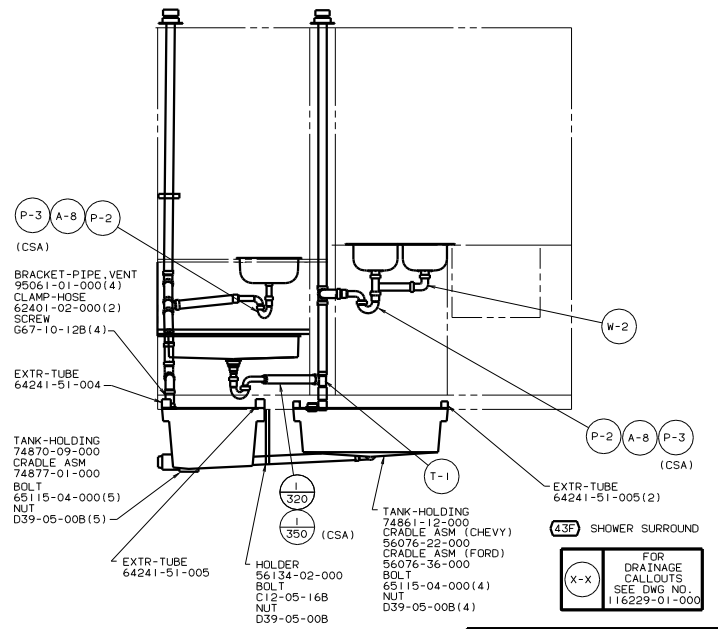
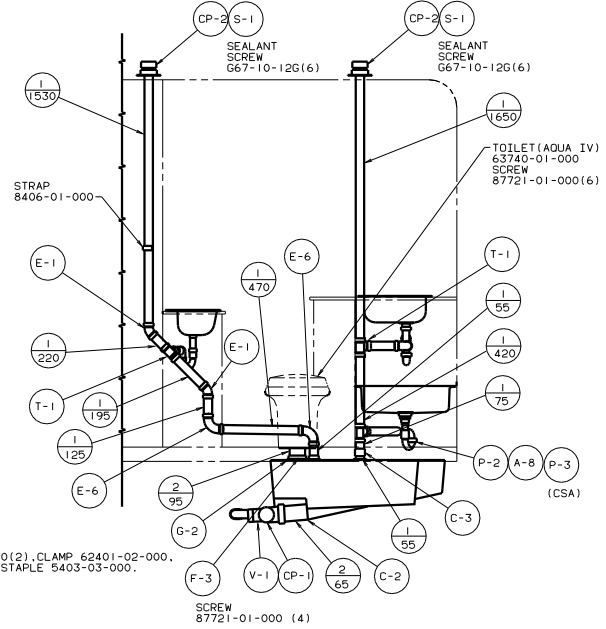
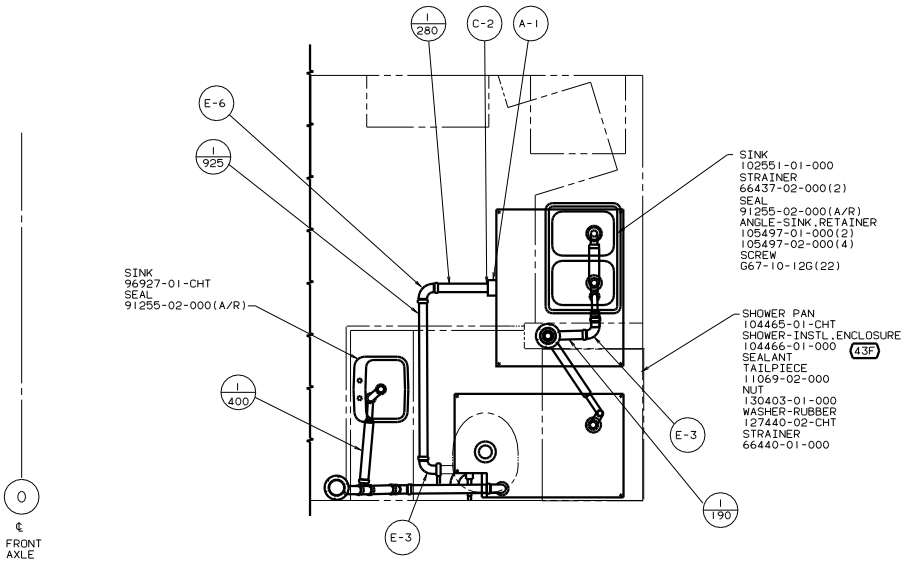


DWG NO	-----
129125-01	W.I
129125-02	-----

RELEASE BY	DATE	FIG	129125
REV			
REVISION RECORD			
DATE			



1. SECURE PIPES TO CABINET USING WIRE TIE 108046-02-000 AND SCREW G67-10-12U (8).
10. SECURE VENT TUBES TO FLOOR WITH BRACKET 95061-01-000(2), CLAMP 62401-02-000, PLATE COVER 94346-03-000, SCREW G67-10-12B(2), AND STAPLE 5403-03-000.
2. VENT PIPE MUST PROJECT 51 MINIMUM AND 64 MAXIMUM ABOVE ROOF FOR PROPER FIT AND FUNCTION.
8. SEE DWG 61607-01-000 FOR INSTL OF GROMMETS.
7. SEAL ALL AROUND SHOWER WITH SILICONE.
6. FOR CANADIAN UNITS EACH HOLDING TANK SHALL HAVE A CSA APPROVAL STAMPED NEAR THE IAMPO APPROVAL.
5. EXPOSED PIPE ABOVE ROOF TO BE PAINTED 37163-01-000.
4. ALL EXTERIOR OPENINGS AROUND PIPE TO BE SEALED WITH 110744-01-000.
3. ALL PIPE AND FITTINGS TO BE ASSEMBLED WITH SOLVENT 4020-01-000.
2. SLOPE OF TRAP ARM MUST BE 6 PER 305 MINIMUM.
1. SLOPE OF HORIZONTAL PIPING TO BE 6 PER 305 MINIMUM.

FOR DRAINAGE CALLOUTS SEE DWG NO. 116229-01-000

OF 11		DATE	UNDESIGNED TOLERANCES ARE	MATERIAL
CHP	DATE	ONE-PLACE (19.81)		
P/E	DATE	TWO-PLACE (19.80)		
D/E	DATE	ANGLE		
COMP	DATE	THIRD-ANGLE PROJECTION		
DRAWN 322E9		TITLE		99 322E
SCALE: NONE		SHEET 1 OF 1		DRAINAGE SYSTEM INSTL
ALL DIMENSIONS ARE IN MILLIMETERS		SHEET 1 OF 1		129125

