



DANGER

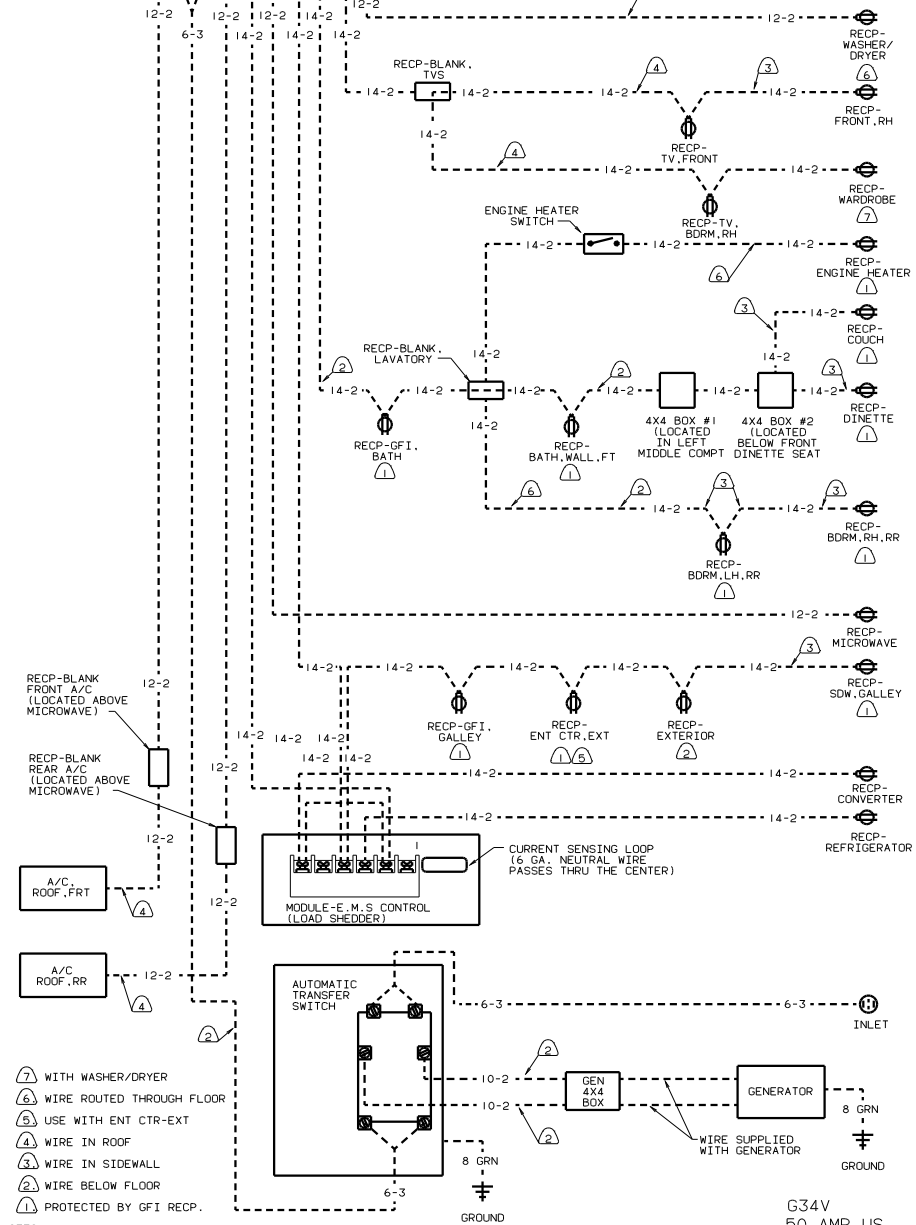
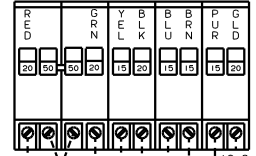
Danger of electrical shock, burns or death. Always remove all power sources before attempting any repair, service or diagnostic work. Power can be present from shore power, generator, inverter or battery. All power sources must be disabled and secured before performing any service.



CAUTION

If you lack the skills, tools or equipment to perform diagnostic or repair work leave such work to an authorized Winnebago Industries dealer or other qualified shop.

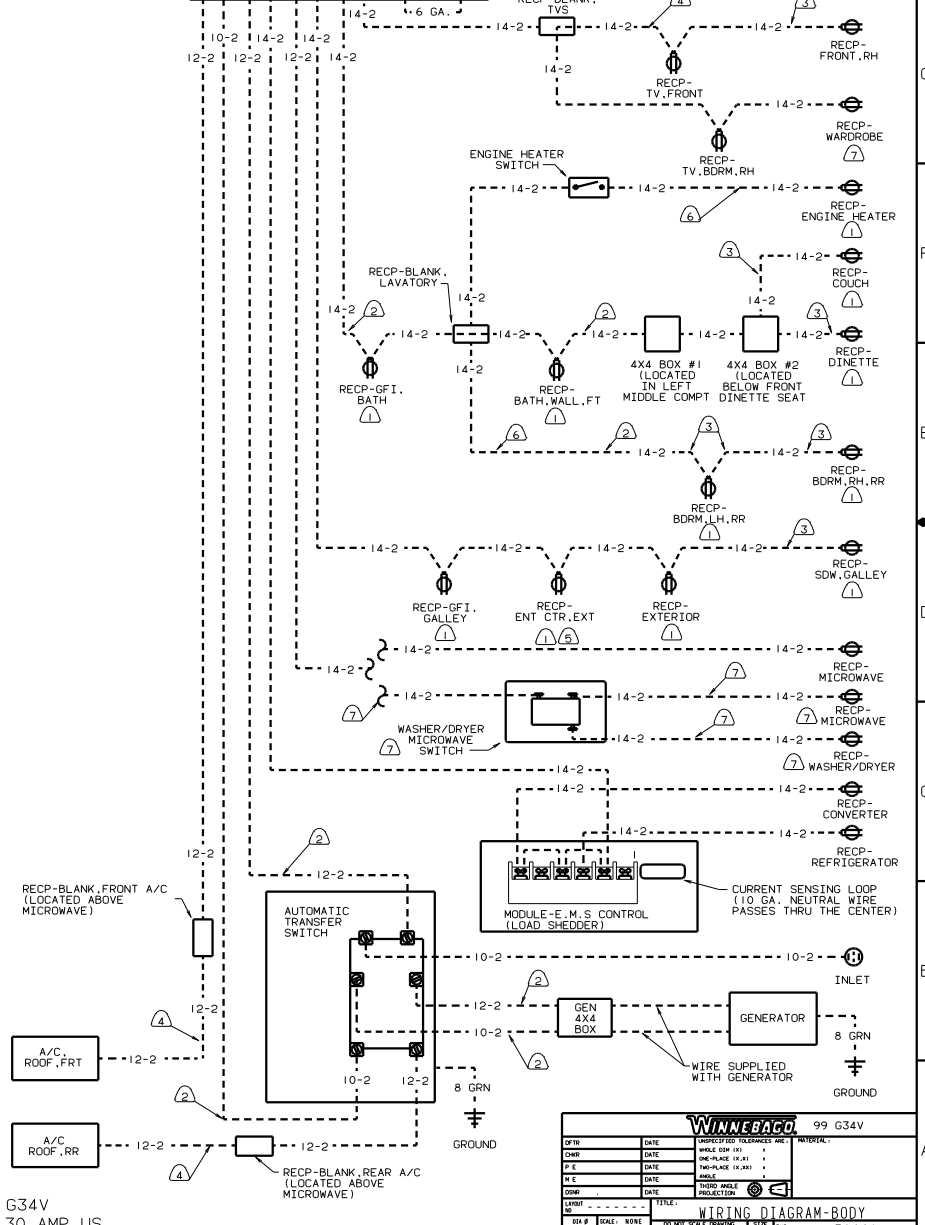
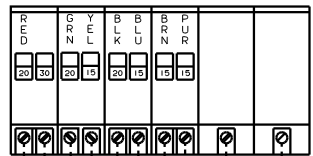
LOAD CENTER



- ⑦ WITH WASHER/DRYER
- ⑥ WIRE ROUTED THROUGH FLOOR
- ⑤ USE WITH ENT CTR-EXT
- ④ WIRE IN ROOF
- ③ WIRE IN SIDEWALL
- ② WIRE BELOW FLOOR
- ① PROTECTED BY GFI RECP.

G34V
50 AMP US

LOAD CENTER



G34V
30 AMP US

WINNEBAGO		99 G34V
DATE	UNSPECIFIED TOLERANCES ARE IN MATERIAL.	
DATE	WHOLE OR 1/2"	
DATE	ONE-PLACE (1/32)	
DATE	TWO-PLACE (1/64)	
DATE	ANGLE	
DATE	INDIC. W/OLE PROJECTION	
DATE		
DRAWING TITLE: WIRING DIAGRAM-BODY		
DATE	SCALE	NO. OF SHEETS
DATE	SCALE	SHEET 1 OF 2
DATE	SCALE	SHEET 1 OF 2

