



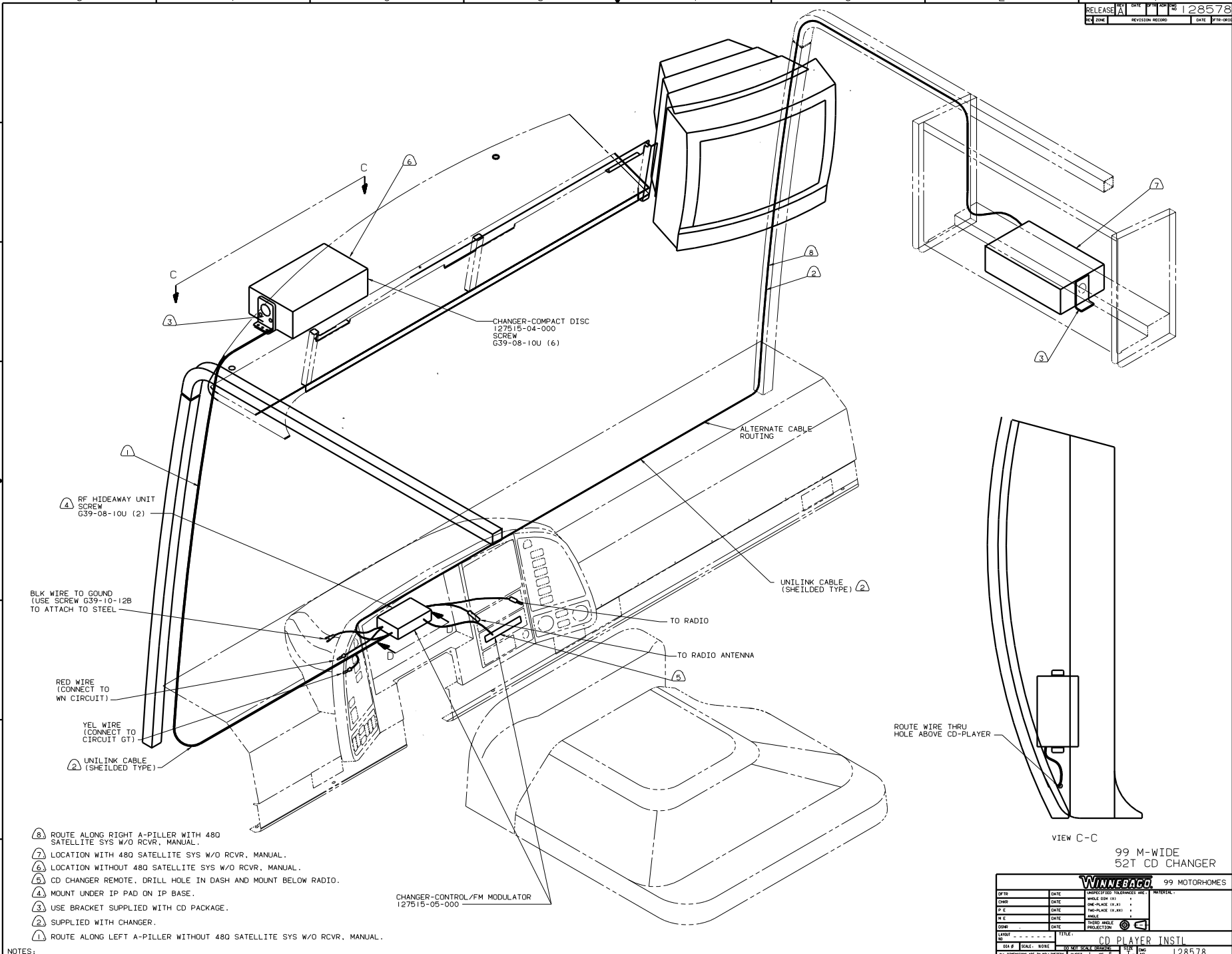
DANGER

Danger of electrical shock, burns or death. Always remove all power sources before attempting any repair, service or diagnostic work. Power can be present from shore power, generator, inverter or battery. All power sources must be disabled and secured before performing any service.



CAUTION

If you lack the skills, tools or equipment to perform diagnostic or repair work leave such work to an authorized Winnebago Industries dealer or other qualified shop.



RF HIDEAWAY UNIT SCREW G39-08-10U (2)

BLK WIRE TO GROUND (USE SCREW G39-10-12B TO ATTACH TO STEEL)

RED WIRE (CONNECT TO WN CIRCUIT)

YEL WIRE (CONNECT TO CIRCUIT GT)

CHANGER-COMPACT DISC 127515-04-000 SCREW G39-08-10U (6)

ALTERNATE CABLE ROUTING

UNILINK CABLE (SHEILDED TYPE)

TO RADIO

TO RADIO ANTENNA

CHANGER-CONTROL/FM MODULATOR 127515-05-000

ROUTE WIRE THRU HOLE ABOVE CD-PLAYER

VIEW C-C

99 M-WIDE 52T CD CHANGER

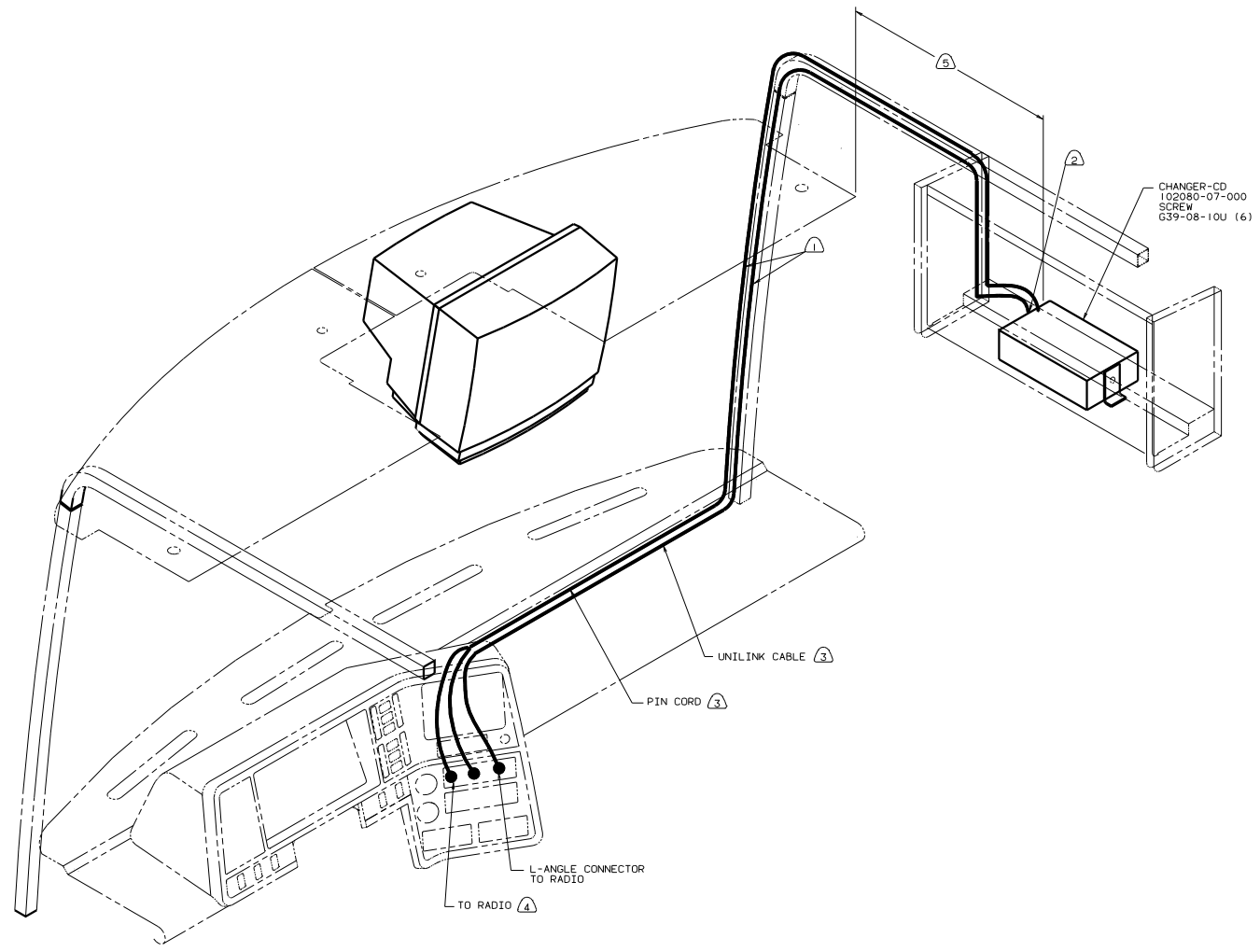
WINNIEGAGO 99 MOTORHOMES

OP/IN	DATE	UNSPECIFIED TOLERANCES ARE:	MATERIAL
CHP	DATE	WHOLE DIM (1)	
DFE	DATE	ONE-PLACE (1X.01)	
D/E	DATE	TWO-PLACE (1X.001)	
DATE	DATE	ANGLE	
DATE	DATE	THRU HOLE PROJECTION	

LAYOUT TITLE: CD PLAYER INSTL
 DIA # SCALE: NONE TO THE SCALE SHOWN
 SHEET 1 OF 5
 REF: 126132-6

- ⑧ ROUTE ALONG RIGHT A-PILLER WITH 480 SATELLITE SYS W/O RCVR. MANUAL.
- ⑦ LOCATION WITH 480 SATELLITE SYS W/O RCVR. MANUAL.
- ⑥ LOCATION WITHOUT 480 SATELLITE SYS W/O RCVR. MANUAL.
- ⑤ CD CHANGER REMOTE. DRILL HOLE IN DASH AND MOUNT BELOW RADIO.
- ④ MOUNT UNDER IP PAD ON IP BASE.
- ③ USE BRACKET SUPPLIED WITH CD PACKAGE.
- ② SUPPLIED WITH CHANGER.
- ① ROUTE ALONG LEFT A-PILLER WITHOUT 480 SATELLITE SYS W/O RCVR. MANUAL.

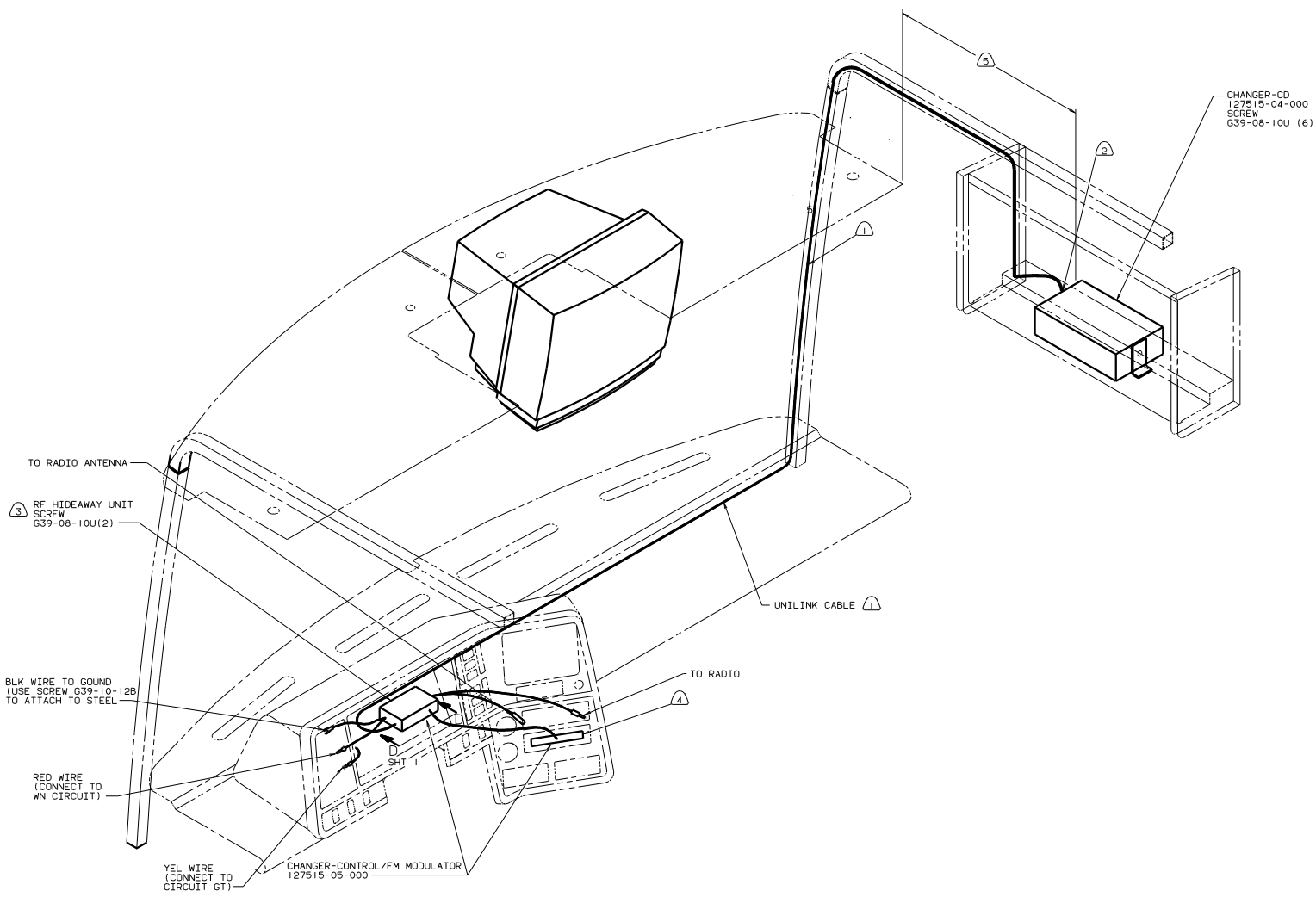
NOTES:



- ⑤ WIRE SHOULD EXTEND 2000 PAST HEADER.
- ④ SEE RADIO INSTALLATION FOR RADIO P/N.
- ③ SUPPLIED WITH CHANGER.
- ② SEE SHT 4 FOR ADDITIONAL INFORMATION.
- ① ROUTED ALONG RIGHT A-PILLAR.

99 Q38KD, Q40JD
 52T CD CHANGER OR
 21V SOUND SYSTEM-DLX

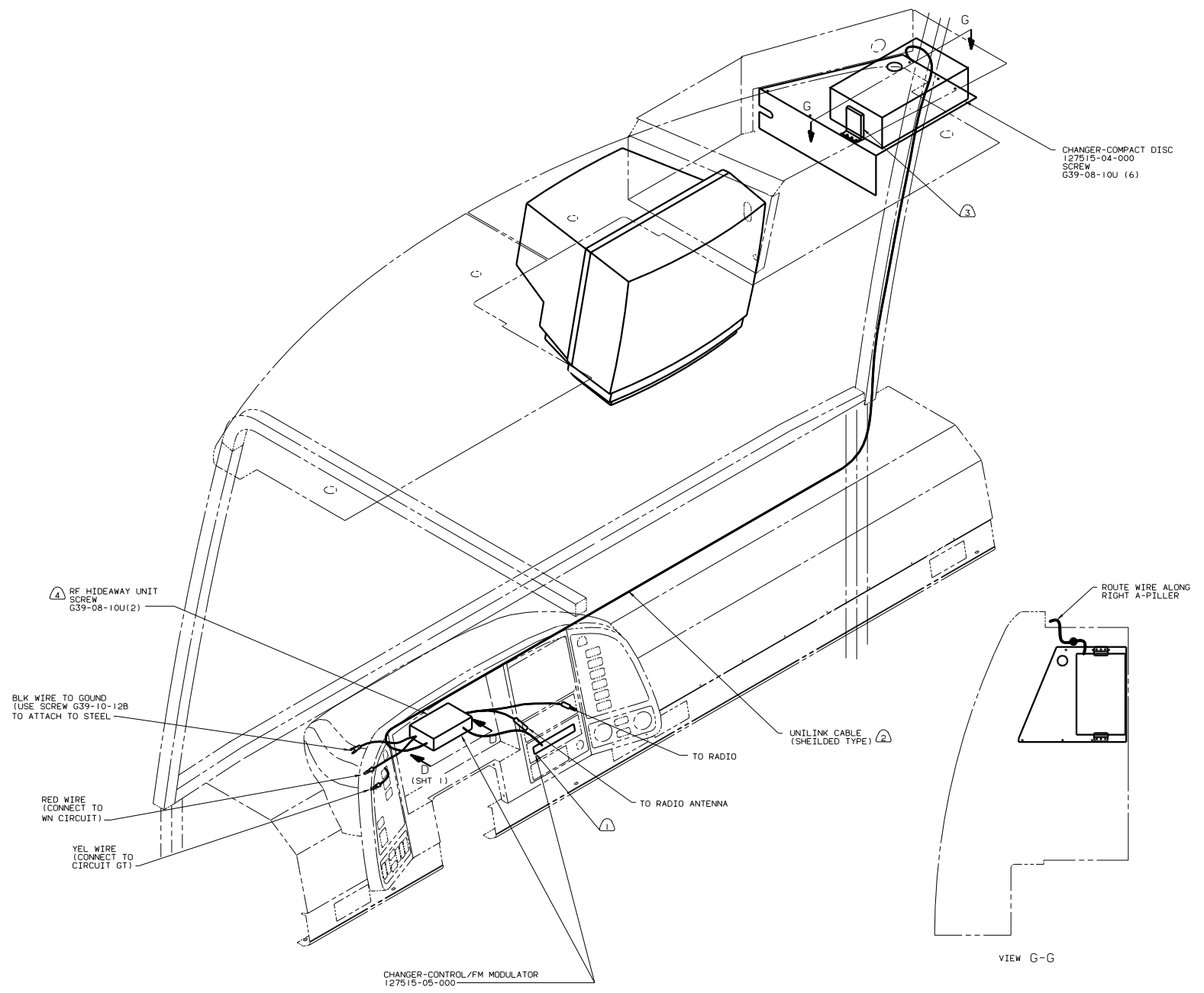
TITLE		CD PLAYER INSTL	
30 1/2" SCALE DRAWING	REV	1	128578
SHEET 2 OF 5	DATE		



- ⑤ WIRE SHOULD EXTEND 2000 PAST HEADER.
- ④ CD CHANGER REMOTE, DRILL HOLE IN DASH AND MOUNT BELOW RADIO.
- ③ MOUNT UNDER IP PAD ON IP BASE.
- ② USE BRACKET SUPPLIED WITH CD PACKAGE.
- ① SUPPLIED WITH CHANGER.

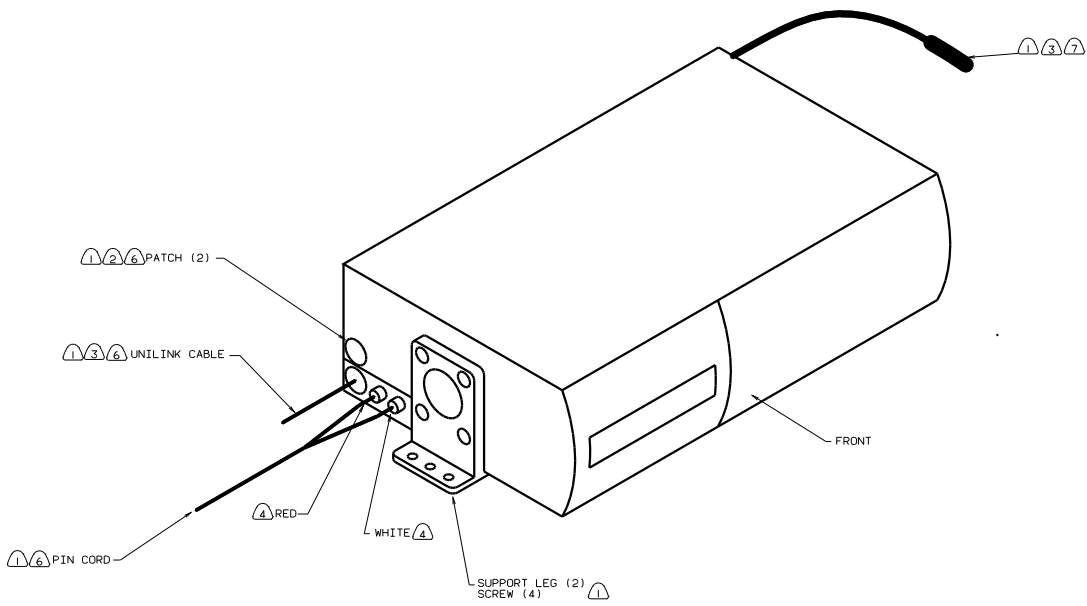
99 Q36C,Q38K,Q40J
 52T CD CHANGER

TITLE		CD PLAYER INSTL	
30 X 10 SCALE DRAWING	REV	1.0	128578
SHEET 3 OF 5	DATE		



- NOTES:
- ④ MOUNT UNDER IP PAD ON IP BASE.
 - ③ USE BRACKET SUPPLIED WITH CD PACKAGE.
 - ② SUPPLIED WITH CHANGER.
 - ① CD CHANGER REMOTE. DRILL HOLE IN DASH AND MOUNT BELOW RADIO.

TITLE		CD PLAYER INSTL	
30 X 10 SCALE DRAWING	DATE	1.6	NO
SHEET 4 OF 5	128578		



- ⑦ UNLINK CABLE ON THIS SIDE OF CHANGER 127515-04-000 ONLY.
- ⑥ Q-SERIES ONLY
- 5. SEE SHEETS 1, 2 & 3 FOR ADDITIONAL INFORMATION.
- ④ CONNECT PIN CORD CONNECTORS PER COLOR MATCH. RED TO RED. WHITE TO WHITE.
- ③ STRAIGHT CONNECTOR TO CD-CHANGER, L-CONNECTOR TO RADIO.
- ② COVER THE HOLES WHICH ARE NOT USED. WITH PATCH.
- ① SUPPLIED WITH CD CHANGER

NOTES:

TITLE		CD PLAYER INSTL	
DATE	SCALE	REV	NO
		1	1
SHEET 5 of 5		128578	