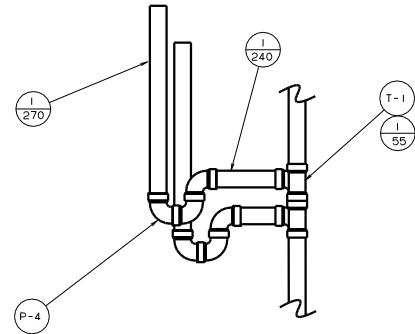
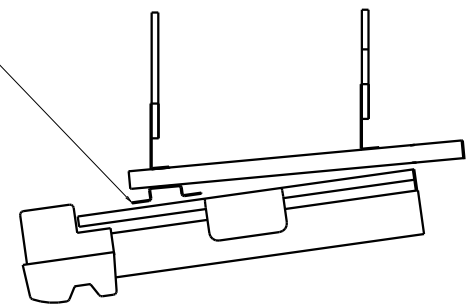


USE WITH WASHER/DRYER OR DISHWASHER



USE WITH WASHER/DRYER & DISHWASHER

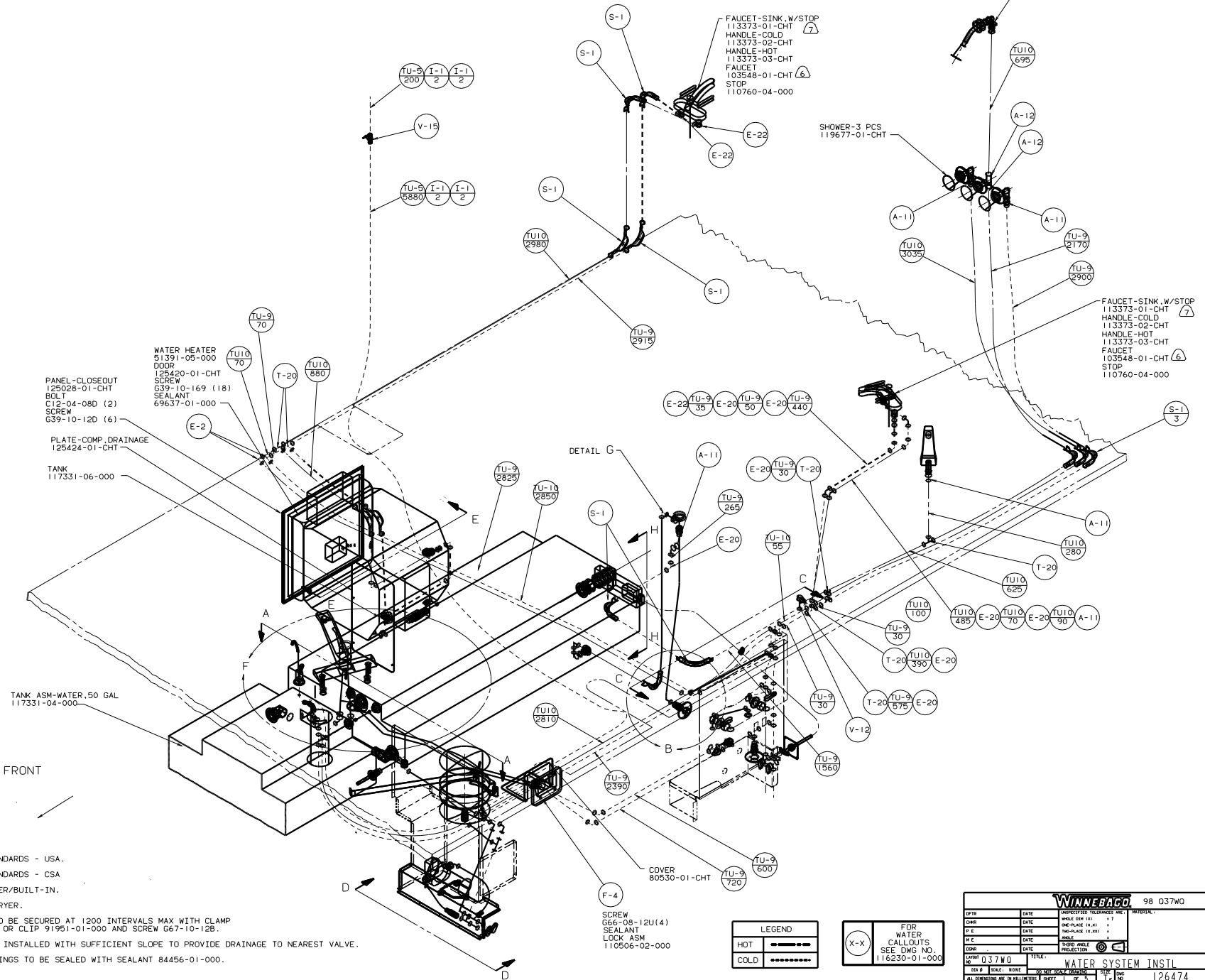
FASTEN TELESCOPING DRAIN WITH CLAMP AND SUPPLIED HARDWARE TO SUPPORT ASM UNDER SEWER COMPT



VIEW A-A

WASHER/DRYER
98 Q37W0

TITLE: DRAINAGE SYSTEM INSTL	
DATE: 05/01/05	REV: 1.0
SHEET: 2 OF 2	DWG NO: 127176



- NOTES:
1. PLASTIC FITTINGS TO BE SEALED WITH SEALANT 84456-01-000.
 2. TUBING TO BE INSTALLED WITH SUFFICIENT SLOPE TO PROVIDE DRAINAGE TO NEAREST VALVE.
 3. ALL TUBING TO BE SECURED AT 1200 INTERVALS MAX WITH CLAMP 10495-01-000 OR CLIP 91951-01-000 AND SCREW G67-10-12B.

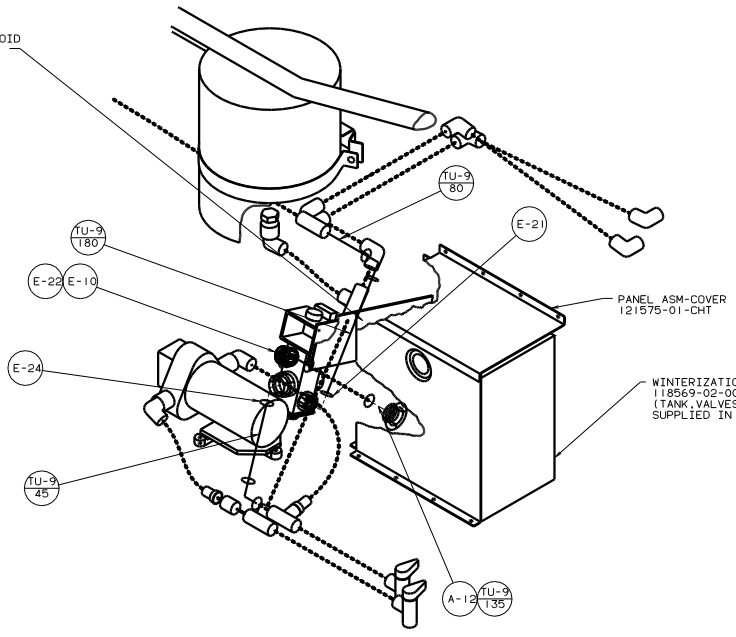
WINNEBAGO 98 037W0

DATE	DATE	DATE	DATE
DATE	DATE	DATE	DATE
DATE	DATE	DATE	DATE
DATE	DATE	DATE	DATE

WATER SYSTEM INSTL

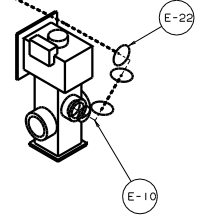
126474

BRACKET-SOLENOID
123727-01-CHT

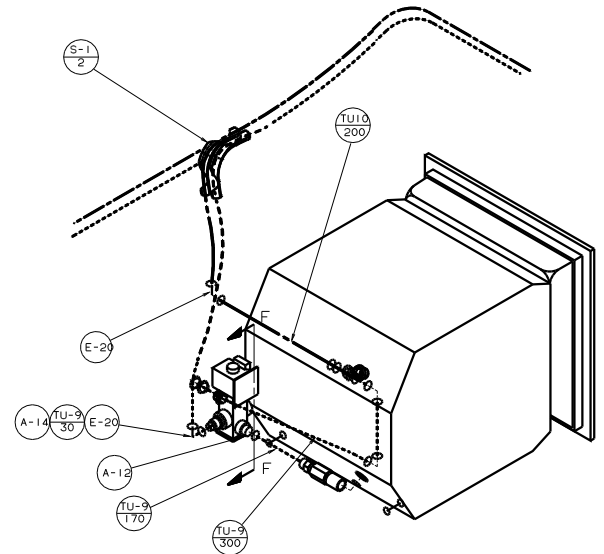


VIEW A-A
530 WINTERIZING KIT

WINTERIZATION SYSTEM
118569-02-000
(TANK VALVES, SOLENOID AND SWITCH
SUPPLIED IN KIT)

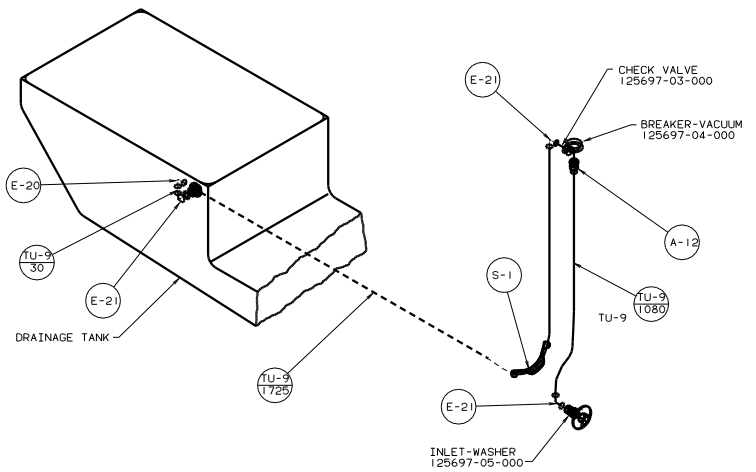


VIEW F-F
530 WINTERIZING KIT

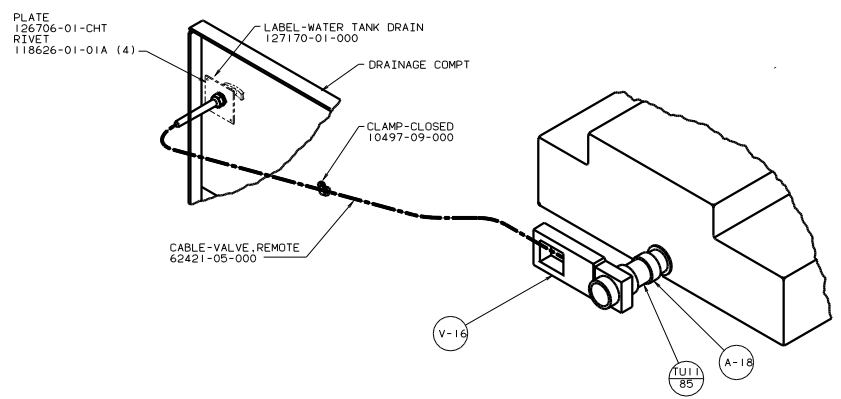


VIEW E-E
530 WINTERIZING KIT

TITLE		WATER SYSTEM INSTL	
30 111 504 4 2000	REV	1	1
SHEET 4 OF 5		FIG	126474



DETAIL G



VIEW H-H

98 Q37WQ	
TITLE: WATER SYSTEM INSTL	
DATE: 5/05	REV: 1
SHEET 5 OF 5	DWG NO: 126474