

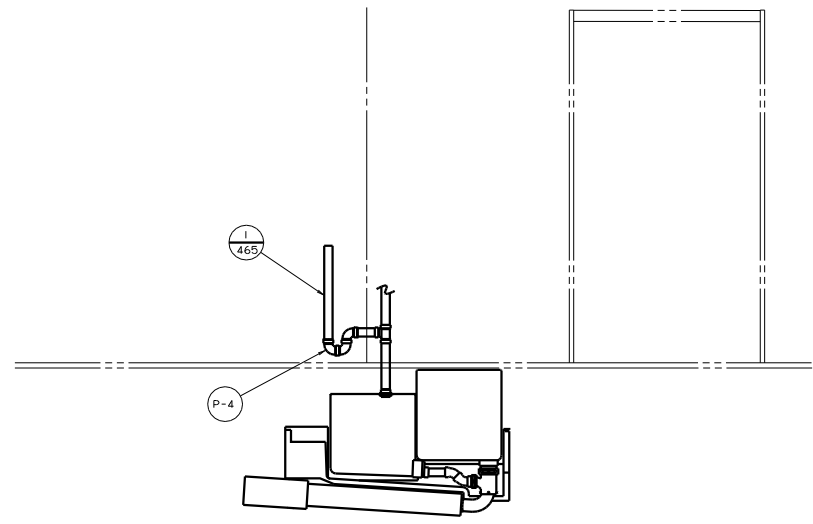
- 13 USE WITH CSA.
- 12 USE WITH US.
- 11 USE WITH DISHWASHER.

- 10 SECURE VENT TUBES TO FLOOR WITH BRACKET 95061-01-000(2), CLAMP 62401-02-000, PLATE COVER 94346-03-000, SCREW 667-10-128(2), AND STAPLE 5403-03-000.
- 9 VENT PIPE MUST PROJECT 51 MM MIN AND 63.5 MM MAX ABOVE ROOF FOR PROPER FIT AND FUNCTION.
8. SEE DWG 61607-01-000 FOR INSTL OF GROMMETS.
7. SEAL ALL AROUND SHOWER WITH SILICONE.
6. FOR CAN UNITS EACH HOLDING TANK SHALL HAVE A CSA APPROVAL STAMPED NEAR THE IAMPO APPROVAL.
5. EXPOSED PIPE ABOVE ROOF TO BE PAINTED 37163-01-000.
4. ALL EXTERIOR OPENINGS AROUND PIPE TO BE SEALED WITH 69637-01-000.
3. ALL PIPE AND FITTINGS TO BE ASSEMBLED WITH SOLVENT 4020-01-000.
2. SLOPE OF TRAP ARM MUST BE 6 PER 305.
1. SLOPE OF HORIZONTAL PIPING TO BE 6 PER 305 MIN.

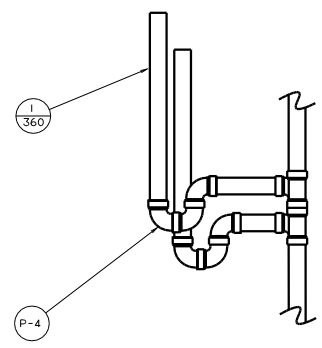
NOTES:

FOR DRAINAGE CALLOUTS SEE DWG NO. 116229-01-000

WINNEGAGO		98 Q37WP
DATE	UNDESIGNED TOLERANCES ARE:	MATERIAL
DATE	WHOLE DIM (1)	
DATE	ONE-PLACE (16.41)	
DATE	TWO-PLACE (16.49)	
DATE	MIXED	
DATE	THIRD WHOLE	
DATE	PRODUCTION	
LAYOUT Q37WP	TITLE	DRAINAGE SYSTEM INSTL
REV #	SCALE	NO. SHEETS
ALL DIMENSIONS ARE IN MILLIMETERS	SHEET 1 OF 2	DWG NO. 127177

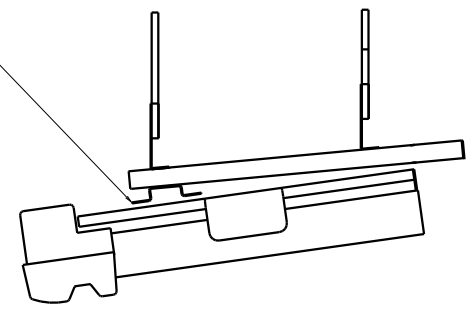


USE WITH WASHER/DRYER OR DISHWASHER



USE WITH WASHER/DRYER & DISHWASHER

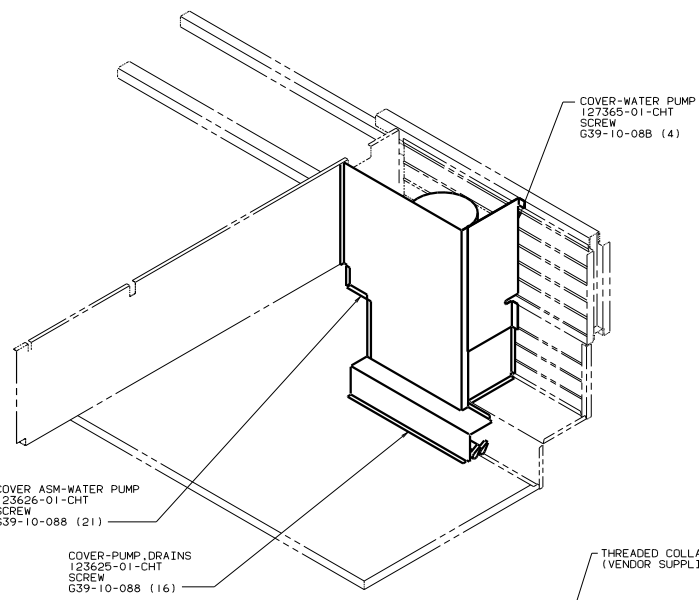
FASTEN TELESCOPING DRAIN WITH CLAMP AND SUPPLIED HARDWARE TO SUPPORT ASM UNDER SEWER COMPT



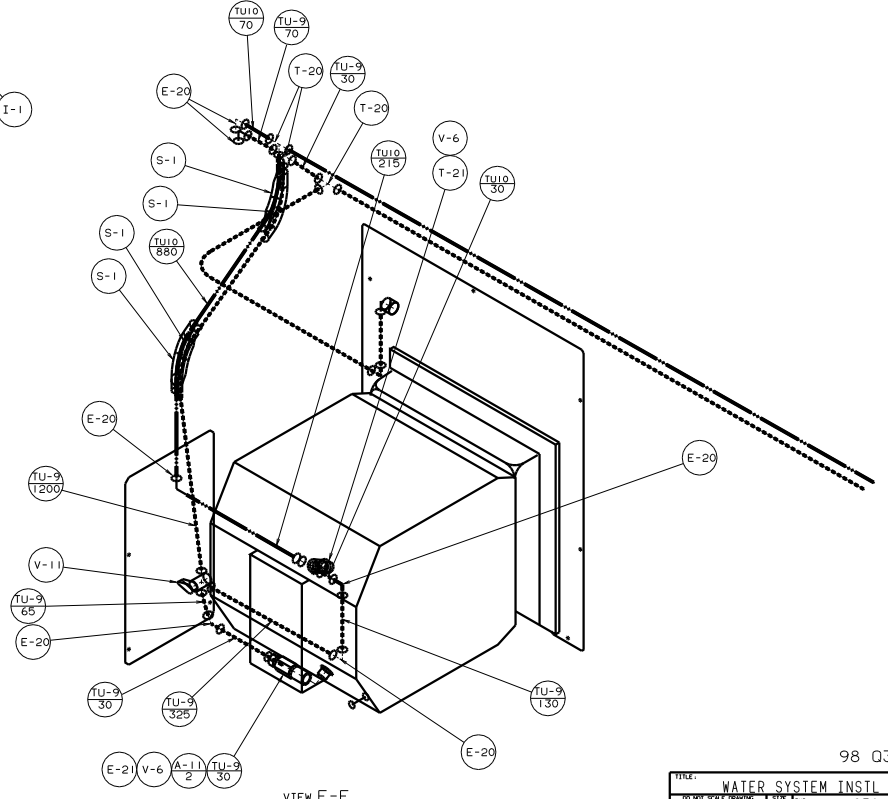
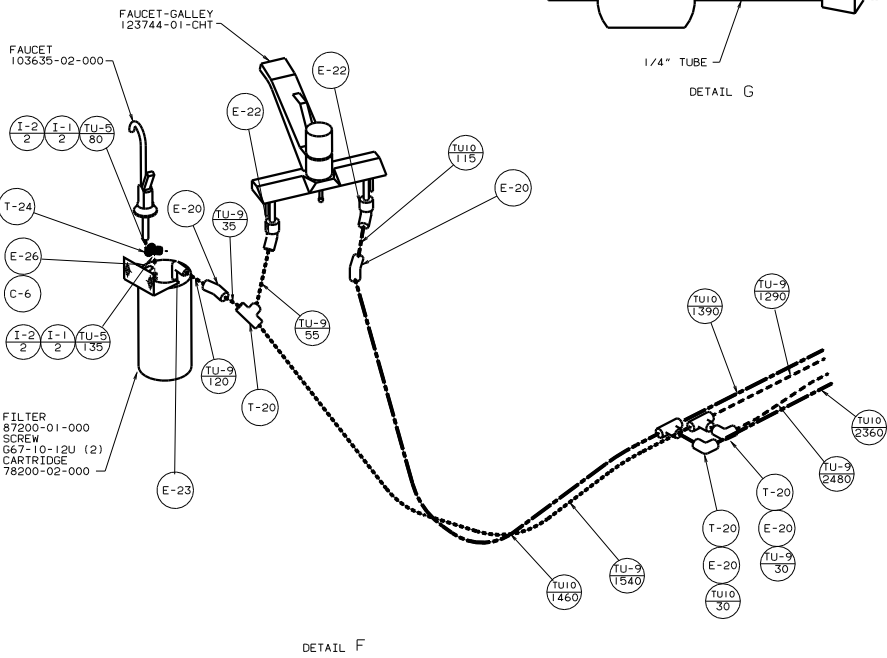
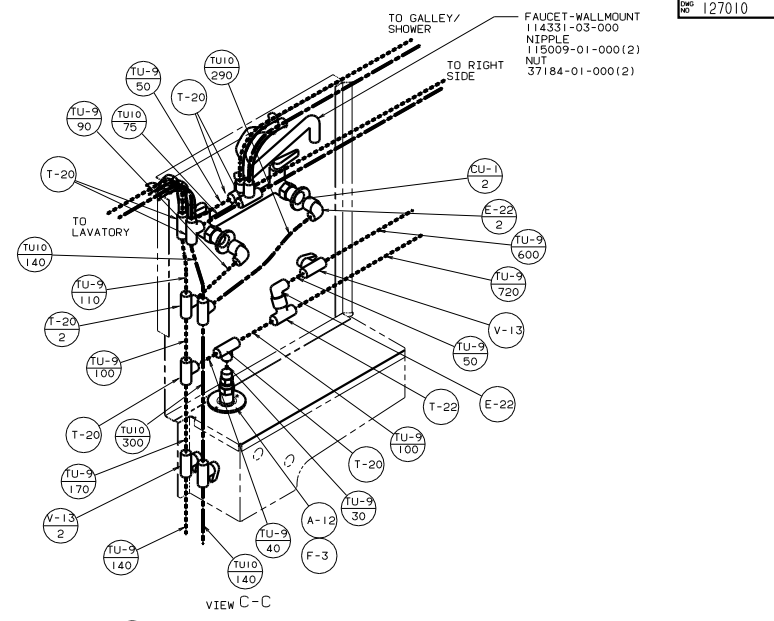
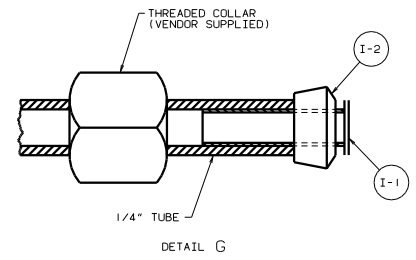
VIEW A-A

WASHER/DRYER
98 Q37WP

TITLE: DRAINAGE SYSTEM INSTL	
DO NOT SCALE DRAWING	FIG. NO. 1E
SHEET 2 OF 2	127177



VIEW D-D



BRACKET SOLENOID
123727-01-CHT

TU-9
180

E-22 E-10

E-24

TU-9
45

TU-9
80

E-21

PANEL ASM-COVER
121575-01-CHT

WINTERIZATION SYSTEM
118569-02-000
(TANK, VALVES, SOLENOID AND SWITCH
SUPPLIED IN KIT)

A-12 TU-9
125

VIEW A-A
530 WINTERIZING KIT

TU-9
70 TU-9
70

T-20

TU-9
30

T-20

V-6

T-21

TU-9
215

TU-9
30

E-20

S-1

S-1

S-1

S-1

TU-9
880

S-1

S-1

E-20

TU-9
1105

E-21 E-10

TU-9
70

E-20

A-12

TU-9
50

TU-9
400

E-21

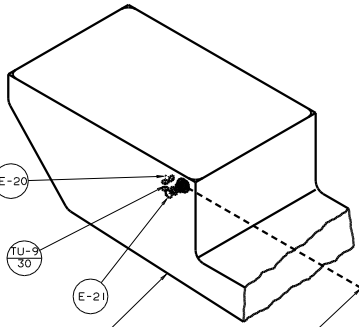
V-6

A-11 TU-9
2 30

TU-9
130

E-20

VIEW E-E
530 WINTERIZING KIT



DRAINAGE TANK

E-21

CHECK VALVE
125697-03-000

BREAKER-VACUUM
125697-04-000

TU-9
830

A-12

E-20

TU-9
1400

S-1

E-21

INLET-WASHER
125697-05-000

TU-9
1465

DETAIL J

PLATE
126706-01-CHT
RIVET
118626-01-01A(4)

LABEL-WATER TANK DRAIN
127170-01-000

DRAINAGE COMPT

CLAMP-CLOSED
10497-09-000

CABLE-VALVE, REMOTE
62421-05-000

V-16

TU-1
85

A-18

VIEW H-H

98 Q37WP

TITLE		WATER SYSTEM INSTL	
NO	DATE	REV	BY
1		1	
SHEET 4 OF 4		127010	