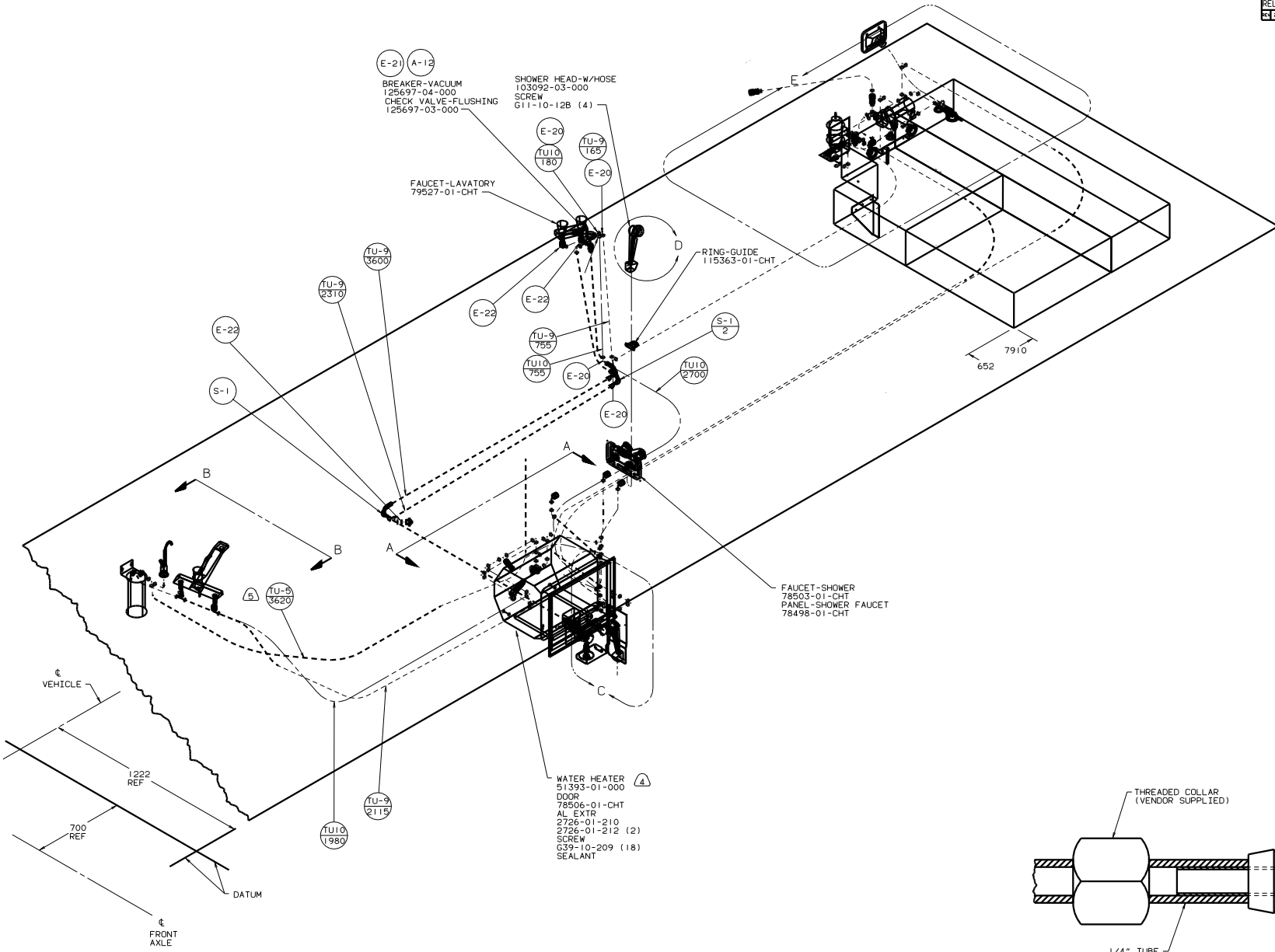


VIEW A-A



(E-2) (A-12)
 BREAKER-VACUUM
 125697-04-000
 CHECK VALVE-FLUSHING
 125697-03-000

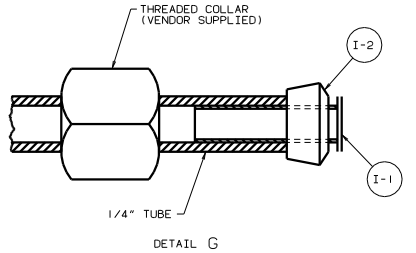
SHOWER HEAD-W/HOSE
 103092-03-000
 SCREW
 G11-10-12B (4)

FAUCET-LAVATORY
 79527-01-CHT

RING-GUIDE
 115363-01-CHT

FAUCET-SHOWER
 78503-01-CHT
 PANEL-SHOWER FAUCET
 78498-01-CHT

WATER HEATER (4)
 51393-01-000
 DOOR
 78506-01-CHT
 AL EXTR
 2726-01-210
 2726-01-212 (2)
 SCREW
 G39-10-209 (18)
 SEALANT

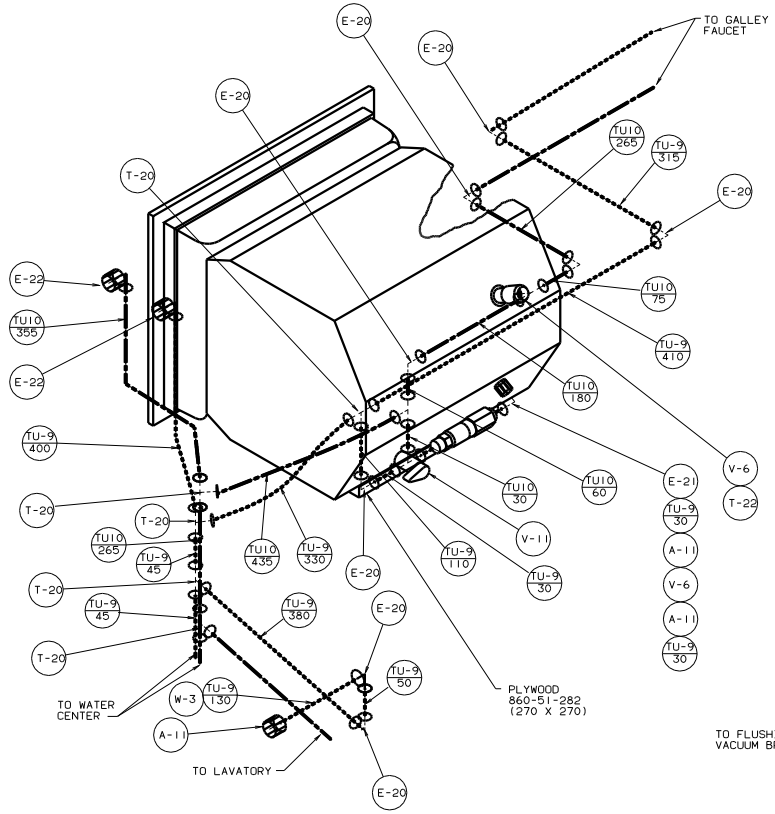


- NOTES:
1. PLASTIC FITTINGS TO BE SEALED WITH SEALANT 84456-01-000.
 2. TUBING TO BE INSTALLED WITH SUFFICIENT SLOPE TO PROVIDE DRAINAGE TO NEAREST VALVE.
 3. ALL TUBING TO BE SECURED AT 1200 INTERVALS MAXIMUM WITH CLAMP 10495-01-000 OR CLIP 91951-01-000 AND SCREW G67-10-12B.
 4. CLAMPS MUST BE ON BARBS.
 5. USE WITH REFRIGERATOR WITH ICEMAKER.
 6. USE WITH REFRIGERATOR WITHOUT ICEMAKER.
 7. USE DETAIL "G" IN THIS AREA.

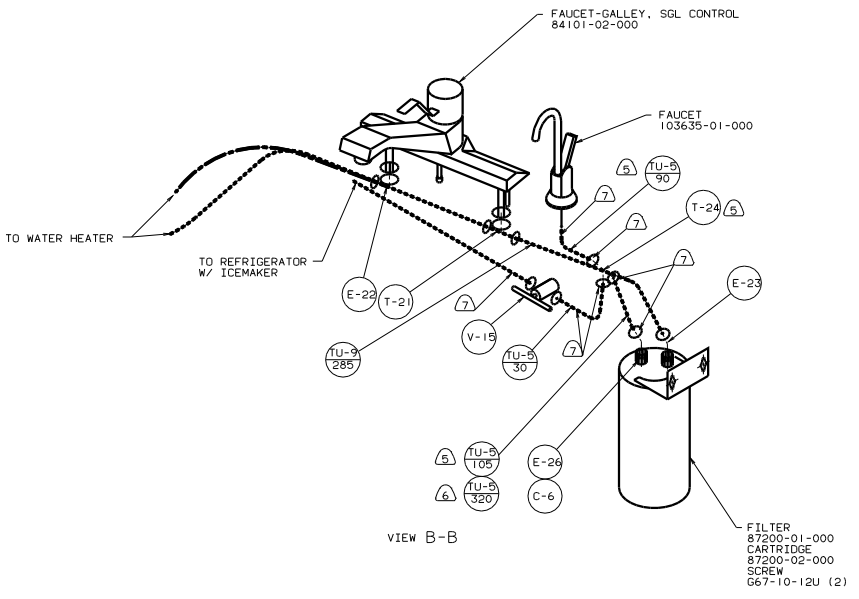
(X-X)
 FOR WATER CALLOUTS SEE DWG NO. 116230-01-000

LEGEND	
HOT	-----
COLD	-----

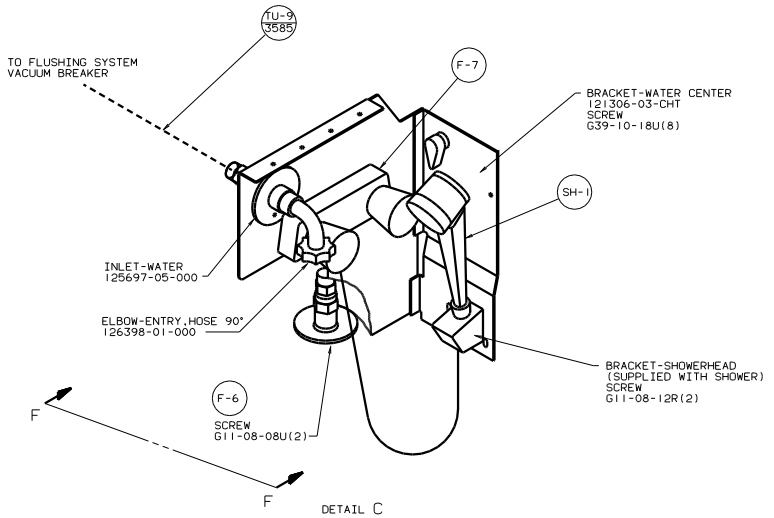
WINNEBAGO		98 M36WA
DATE	DATE	PROPOSED TOLERANCES ARE:
DATE	DATE	WHOLE DIM (X1)
DATE	DATE	ONE-PLACE (X1.00)
DATE	DATE	TWO-PLACE (X1.00)
DATE	DATE	THIRD PLACE (X1.00)
DATE	DATE	FOURTH PLACE (X1.00)
DATE	DATE	FIFTH PLACE (X1.00)
DATE	DATE	SIXTH PLACE (X1.00)
DATE	DATE	SEVENTH PLACE (X1.00)
DATE	DATE	EIGHTH PLACE (X1.00)
DATE	DATE	NINTH PLACE (X1.00)
DATE	DATE	TENTH PLACE (X1.00)
DATE	DATE	ALL DIMENSIONS ARE IN MILLIMETERS
SHEET 1 OF 4	REF: 123796 D 1	126421



VIEW A-A



VIEW B-B



DETAIL C

