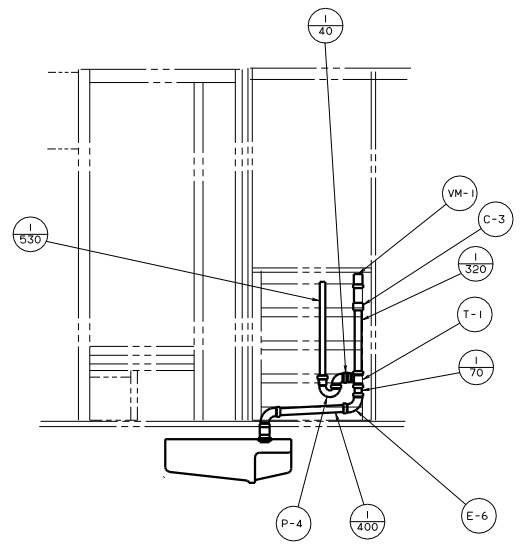


DETAIL A WITH WASHER/DRYER

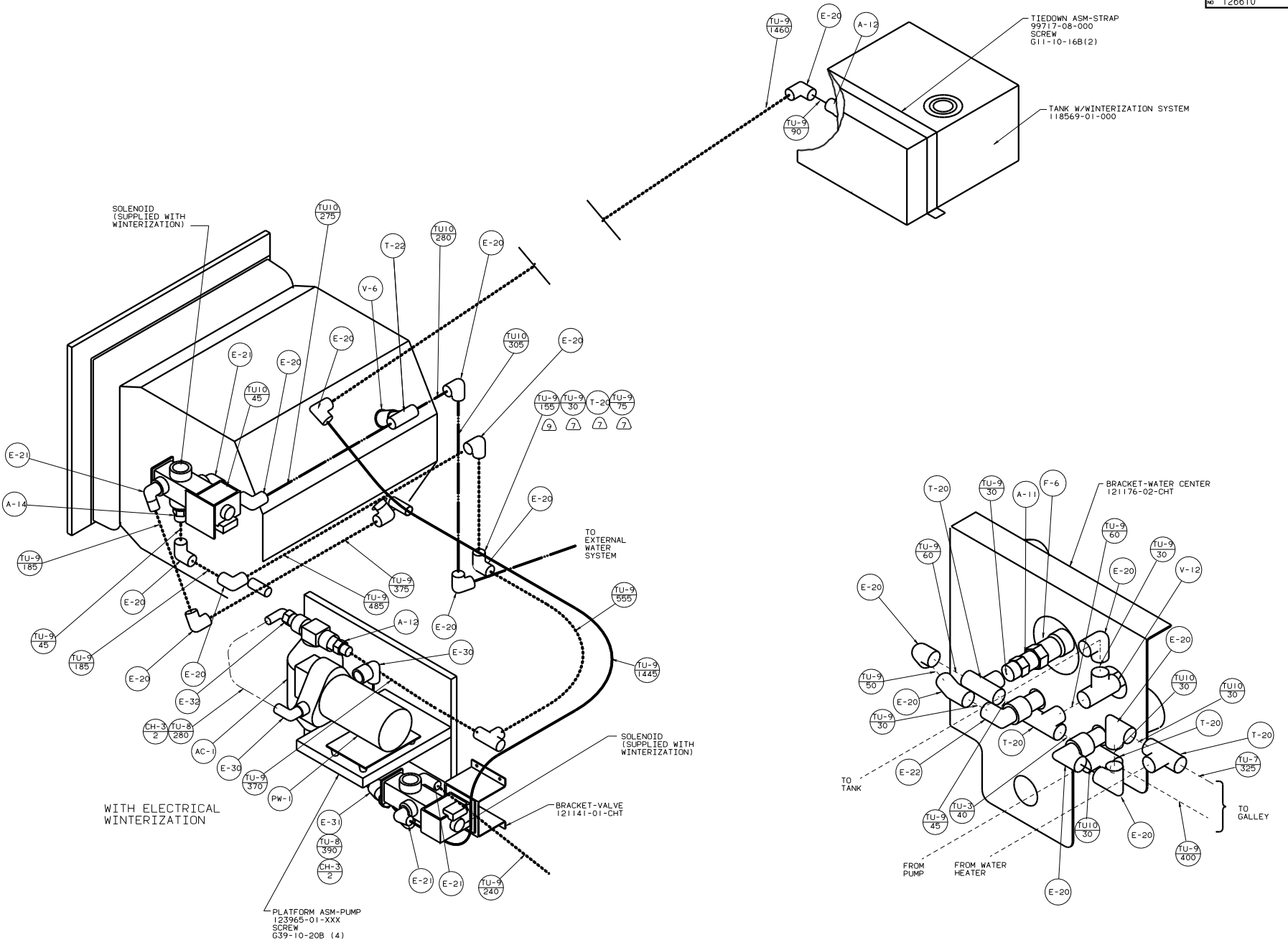


VIEW C-C

VIEW B-B

- CLAMP (8) 62401-05-000
- BRACKET 95061-01-000 (2)
- SCREW 667-01-12B (2)
- CLAMP (8) 62401-05-000
- BRACKET 95061-01-000 (2)
- SCREW 667-01-12B (2)



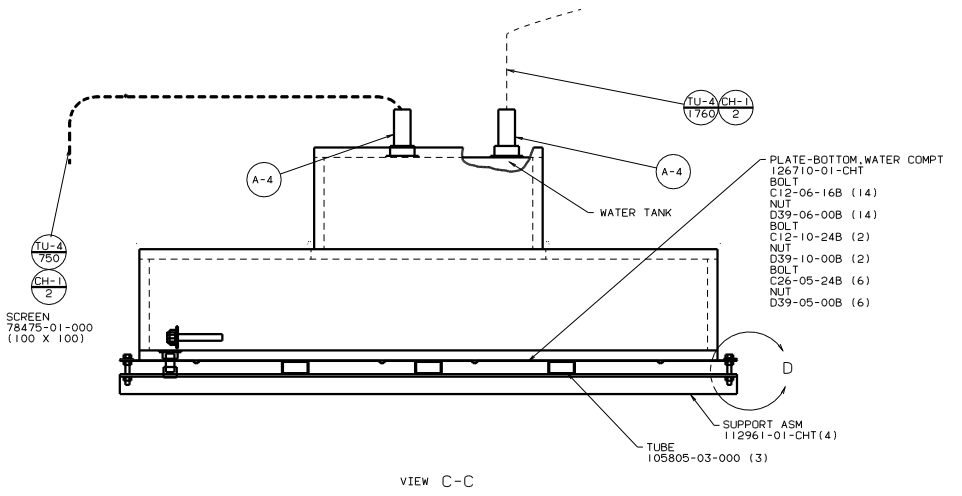
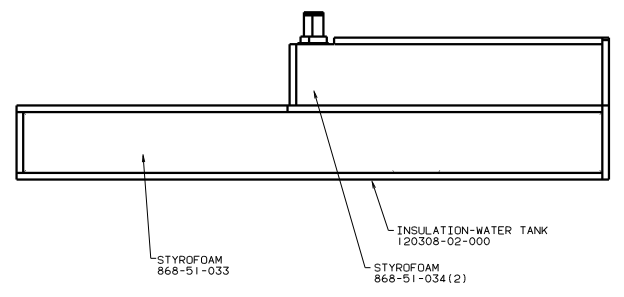
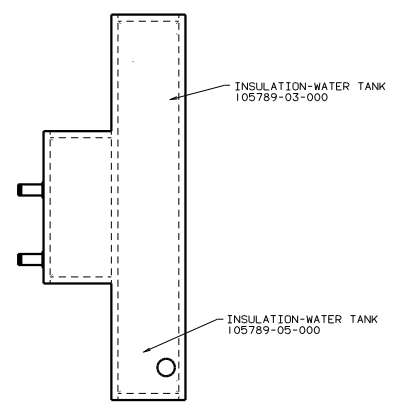
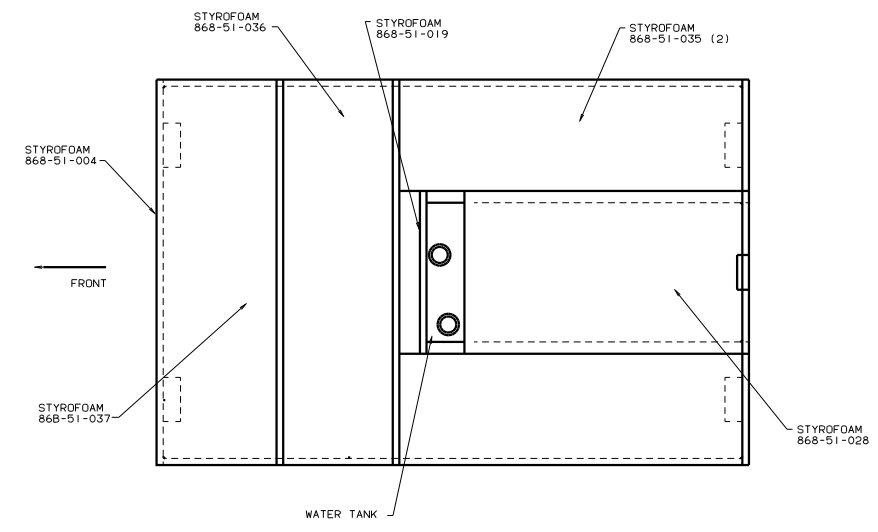
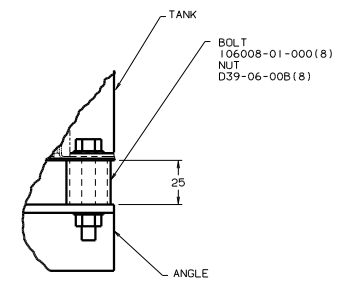
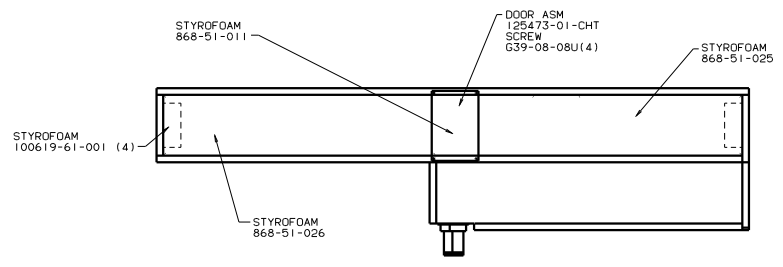


VIEW A-A

98 M35WQ

TITLE		WATER SYSTEM INSTL	
NO	SCALE	REV	DATE
1		1	
SHEET 2 OF 5		126610	





98 M35WQ	
TITLE: WATER SYSTEM INSTL	
NO. OF SHEETS	TOTAL SHEETS
4 OF 5	5
126610	

