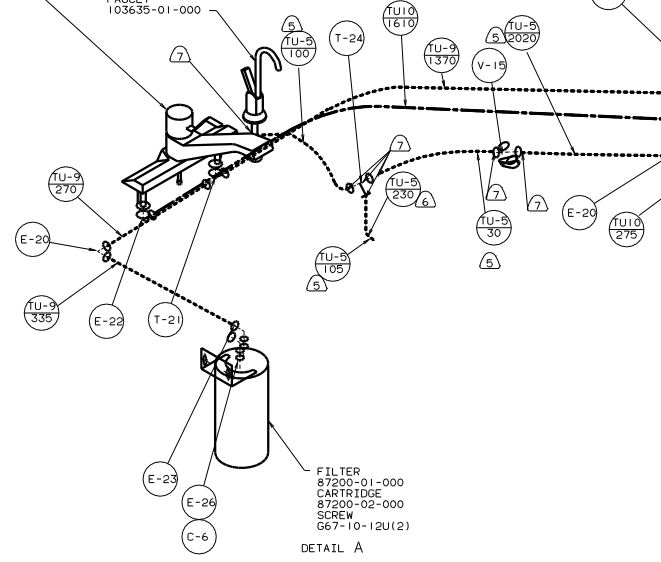


VIEW B-B

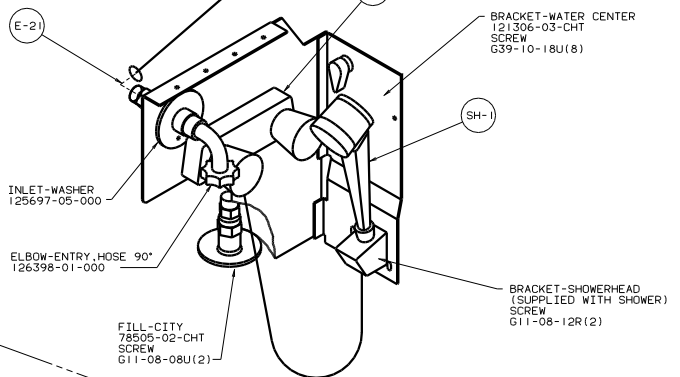
FAUCET-GALLEY, SGL CONTROL
84101-02-000

FAUCET
103635-01-000

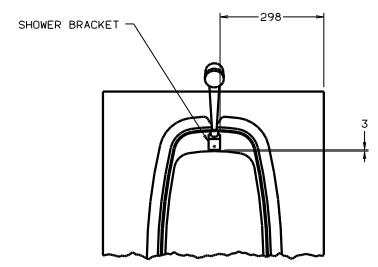
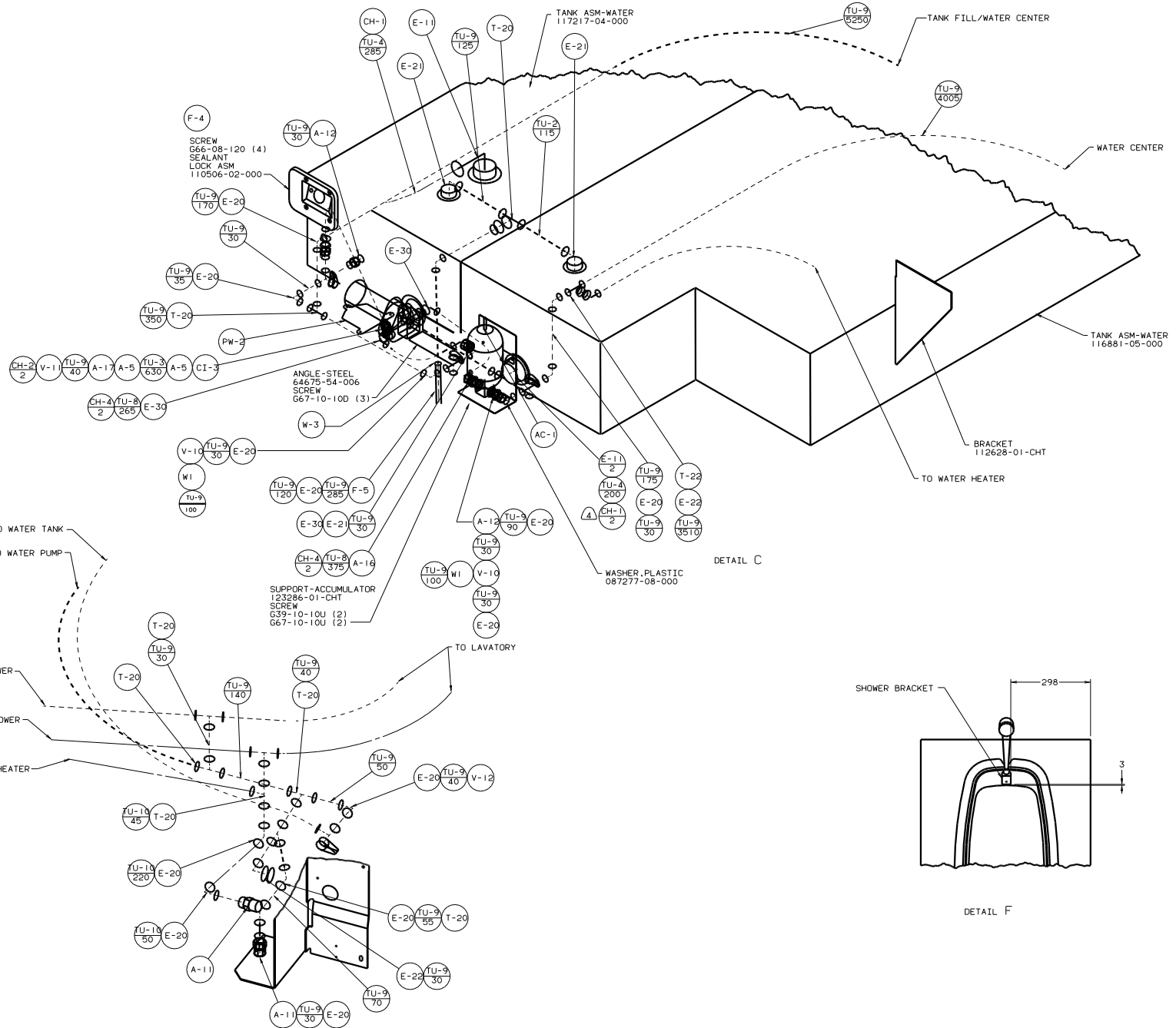


DETAIL A

FILTER
87200-01-000
CARTRIDGE
87200-02-000
SCREW
667-10-12U(2)

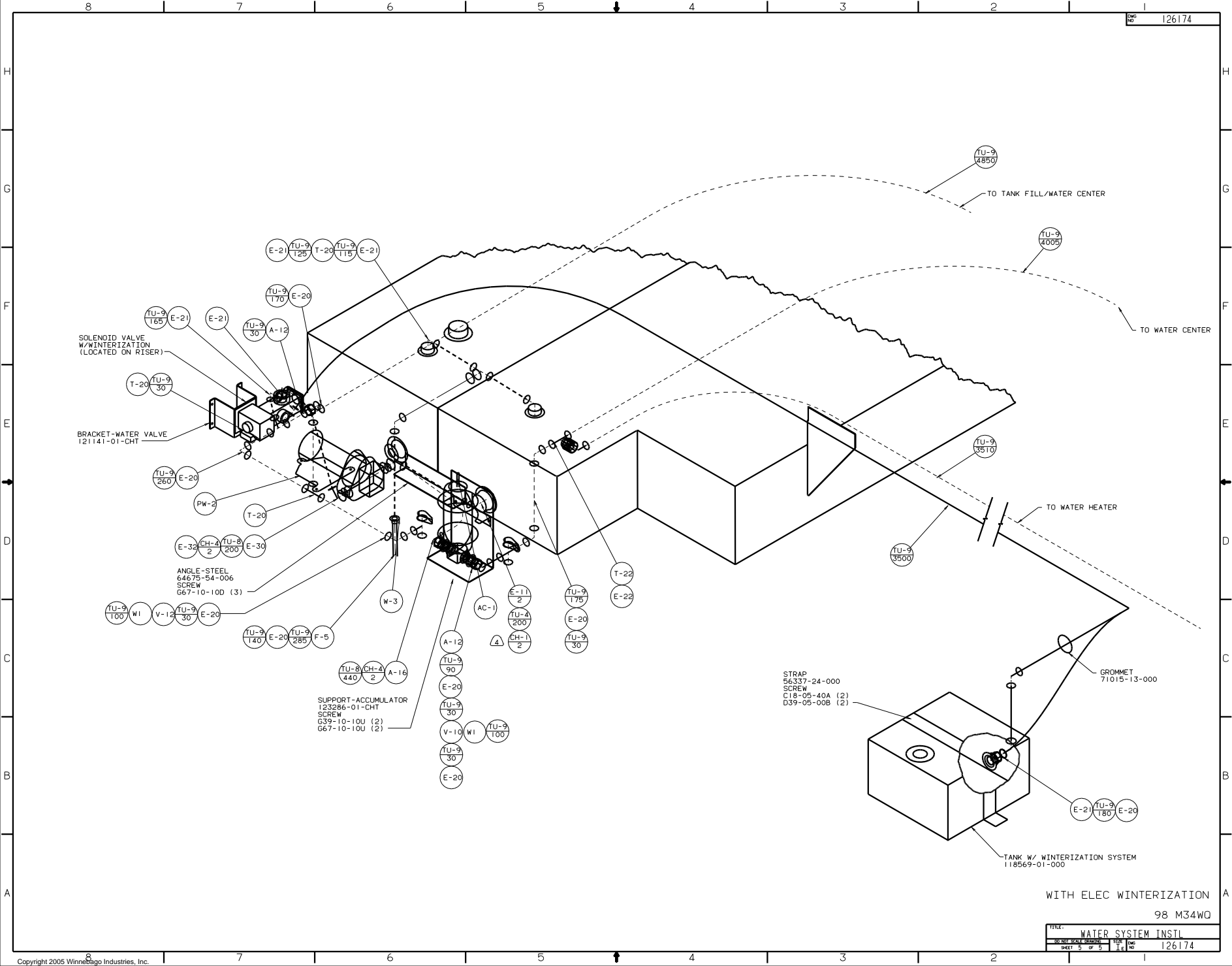


DETAIL B



DETAIL F

VIEW D-D



SOLENOID VALVE
W/WINTERIZATION
(LOCATED ON RISER)

BRACKET-WATER VALVE
121141-01-CHT

ANGLE-STEEL
64675-64-006
SCREW
G67-10-10D (3)

SUPPORT-ACCUMULATOR
123286-01-CHT
SCREW
G39-10-10U (2)
G67-10-10U (2)

STRAP
56337-24-000
SCREW
C18-05-40A (2)
D39-05-00B (2)

TANK W/ WINTERIZATION SYSTEM
118569-01-000

WITH ELEC WINTERIZATION
98 M34WD

TITLE		126174	
WATER SYSTEM INSTL		126174	
NO. OF SHEETS	TOTAL SHEETS	DATE	DESIGNER
5 OF 5	5		