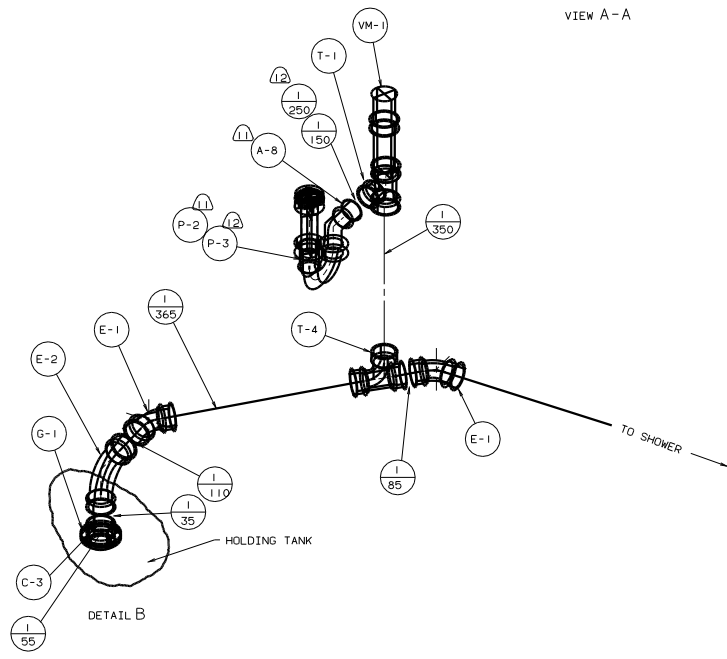


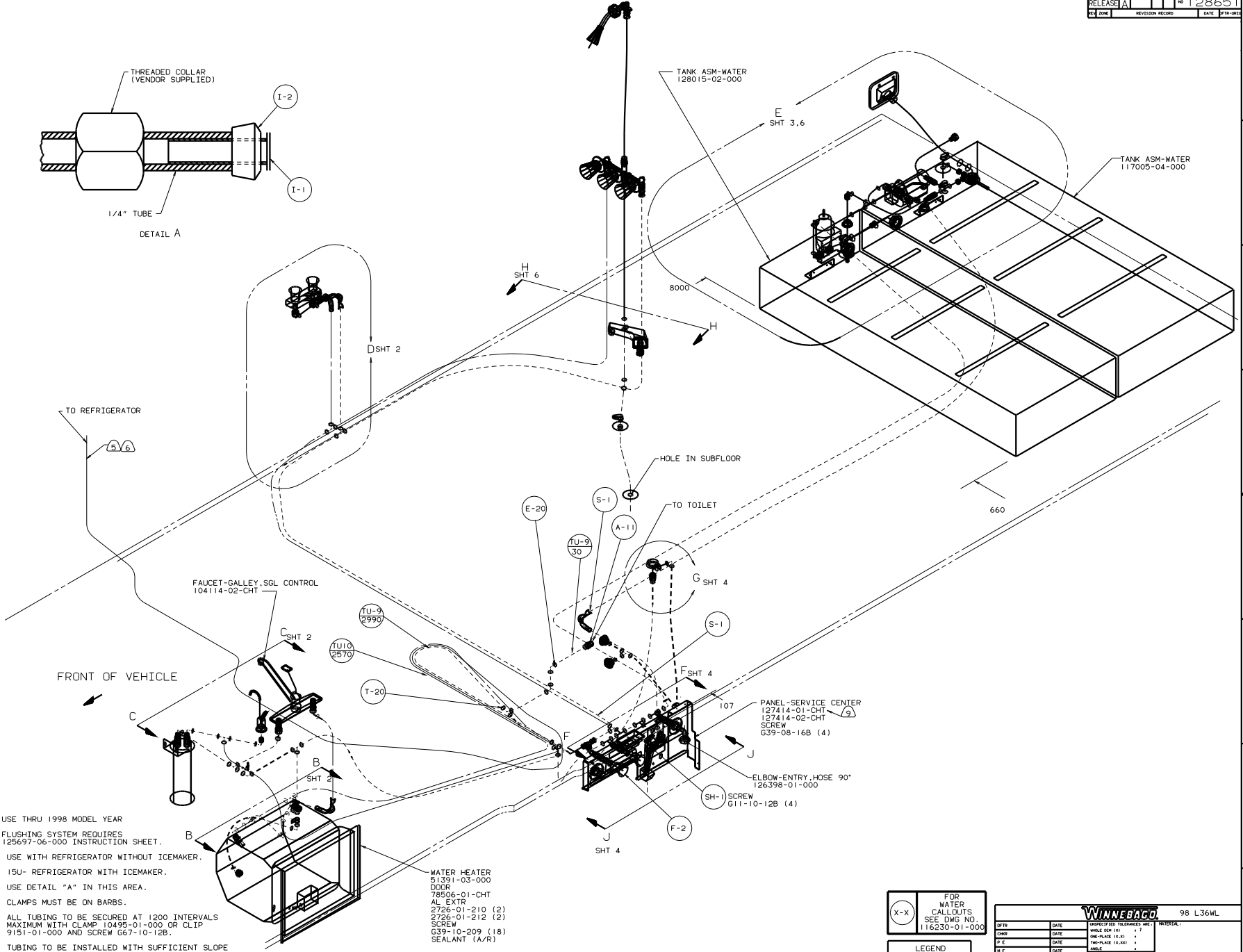
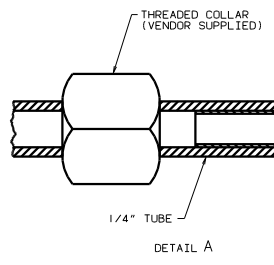
VIEW A-A



DETAIL B

98 L36WQ, PUSHER

TITLE: DRAINAGE SYSTEM INSUL		DWG NO: 125998	
DATE: 2/02	BY: J.E.	CHK: J.E.	APP: J.E.
SHEET 2 OF 2		PAGE 1	



- 9 USE THRU 1998 MODEL YEAR
- 8 FLUSHING SYSTEM REQUIRES 125697-06-000 INSTRUCTION SHEET.
- 7 USE WITH REFRIGERATOR WITHOUT ICEMAKER.
- 6 15U- REFRIGERATOR WITH ICEMAKER.
- 5 USE DETAIL "A" IN THIS AREA.
- 4 CLAMPS MUST BE ON BARBS.
3. ALL TUBING TO BE SECURED AT 1200 INTERVALS MAXIMUM WITH CLAMP 10495-01-000 OR CLIP 9151-01-000 AND SCREW G67-10-12B.
2. TUBING TO BE INSTALLED WITH SUFFICIENT SLOPE TO PROVIDE DRAINAGE TO NEAREST VALVE.
1. PLASTIC FITTINGS TO BE SEALED WITH SEALANT 84456-01-000.

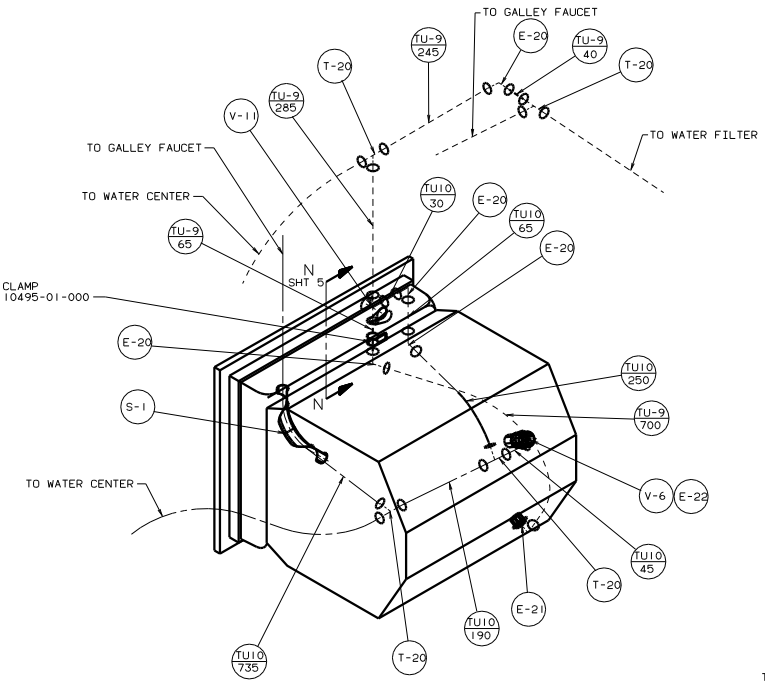
WATER HEATER  
 51391-03-000  
 DOOR  
 78506-01-CHT  
 AL EXTR  
 2726-01-210 (2)  
 2726-01-212 (2)  
 SCREW  
 G39-10-209 (18)  
 SEALANT (A/R)

PANEL-SERVICE CENTER  
 127414-01-CHT  
 SEE DWG NO. 127414-02-CHT  
 SCREW  
 G39-08-16B (4)

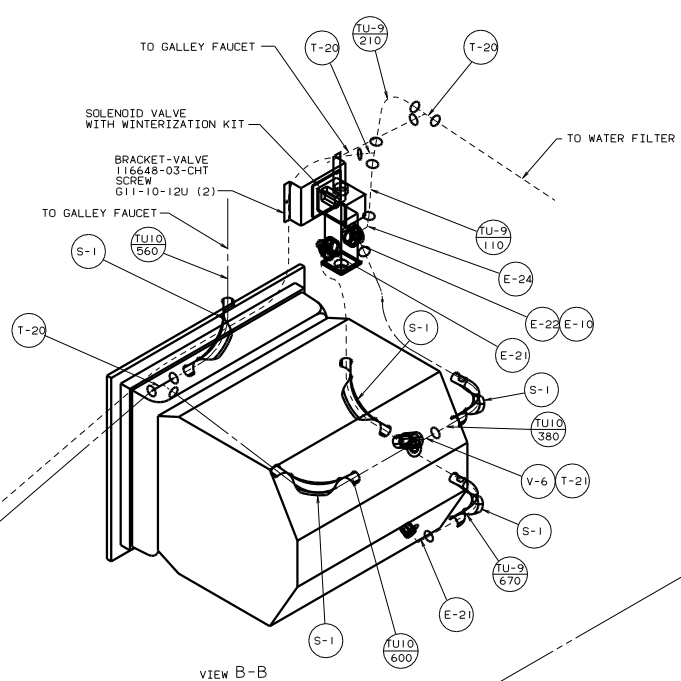
(X-X) FOR WATER CALLOUTS SEE DWG NO. 116230-01-000

LEGEND  
 HOT  
 COLD

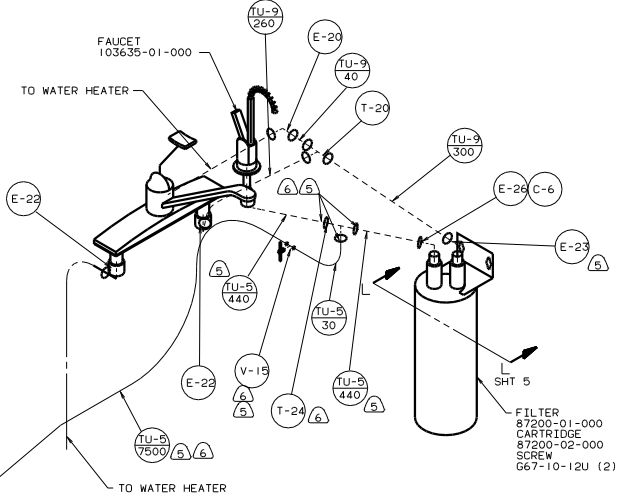
WINNEBAGO		98 L36WL
DATE	UNAPPROVED TOLERANCES ARE:	MATERIAL:
DATE	WHOLE DIM (IN) .1	
DATE	ONE-PLACE (IN) .01	
DATE	TWO-PLACE (IN) .001	
DATE	THIRD PLACE (IN) .0005	
DATE	FOURTH PLACE (IN) .0001	
DATE	FIFTH PLACE (IN) .00005	
DATE	SIXTH PLACE (IN) .00001	
DATE	SEVENTH PLACE (IN) .000005	
DATE	EIGHTH PLACE (IN) .000001	
DATE	NINTH PLACE (IN) .0000005	
DATE	TENTH PLACE (IN) .0000001	
DATE	ALL DIMENSIONS ARE IN MILLIMETERS	
DATE	ALL DIMENSIONS ARE IN MILLIMETERS	



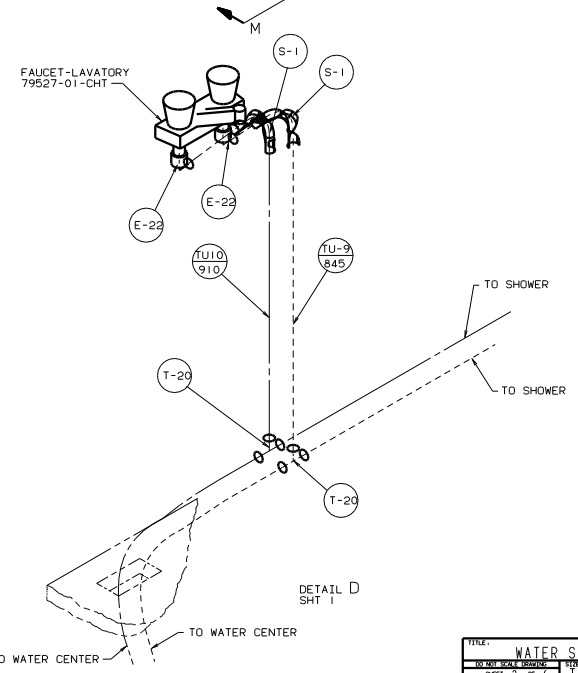
VIEW B-B  
SHT 1  
53J-WATER HEATER BYPASS VALVE



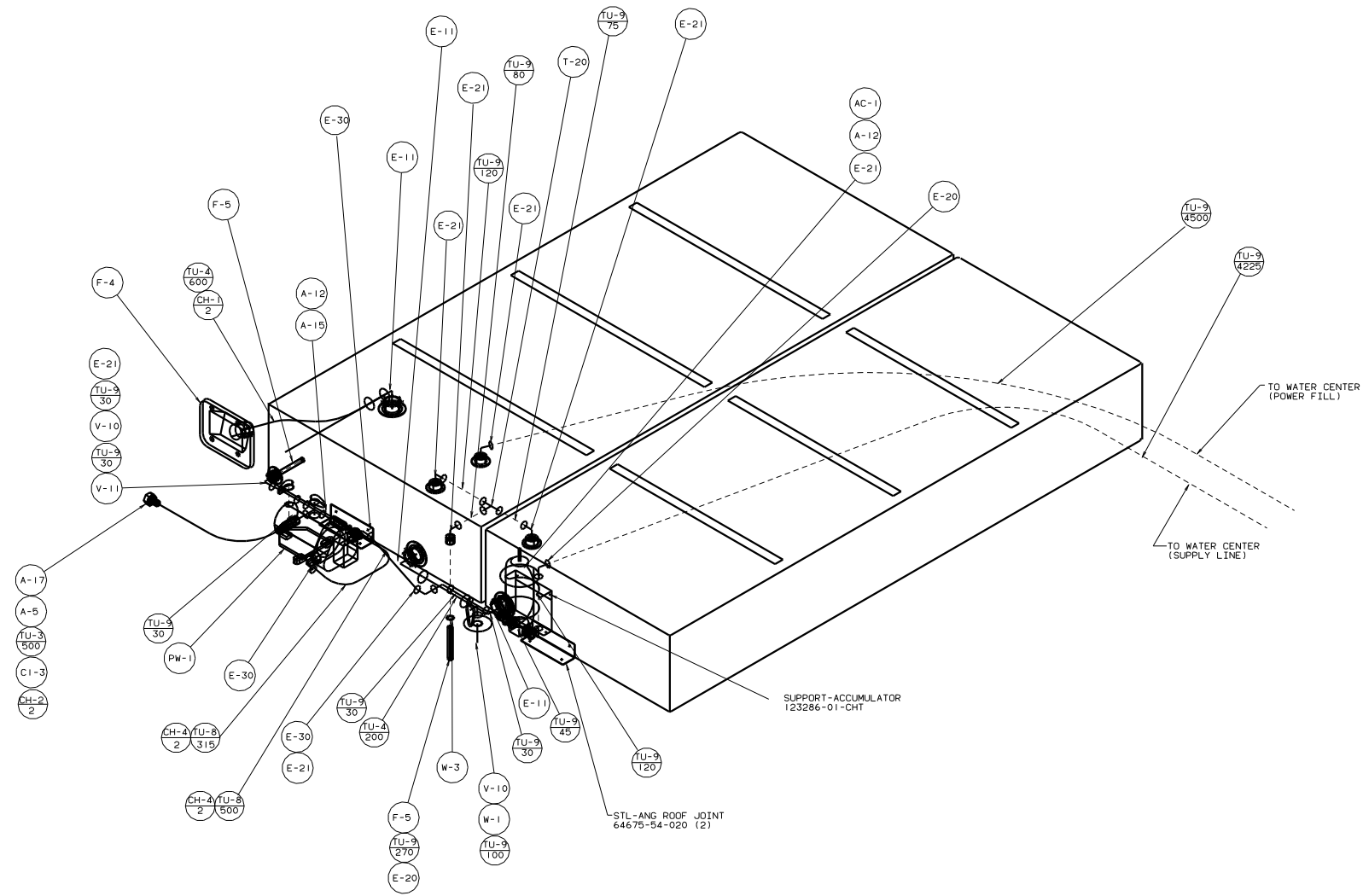
VIEW B-B  
SHT 1  
530-WATER HEATER AUTOMATIC WINTER



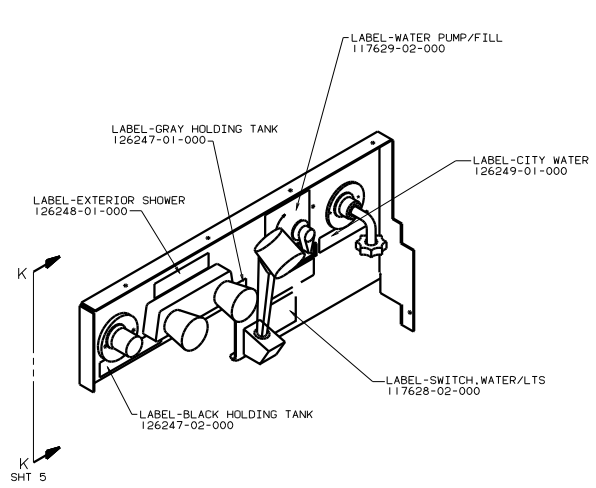
VIEW C-C  
SHT 1  
29B-WATER PURIFIER



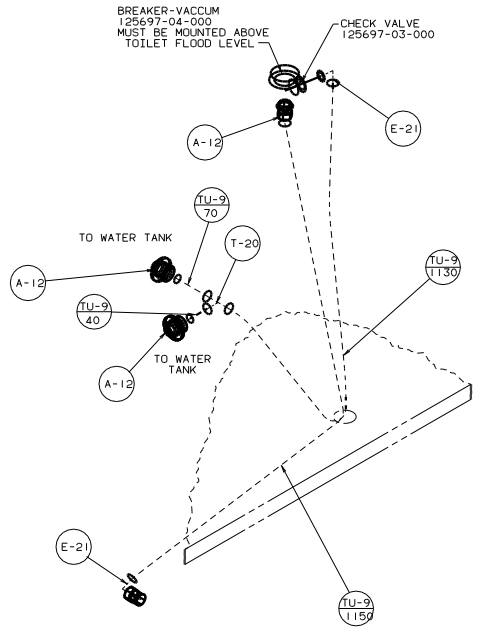
DETAIL D  
SHT 1



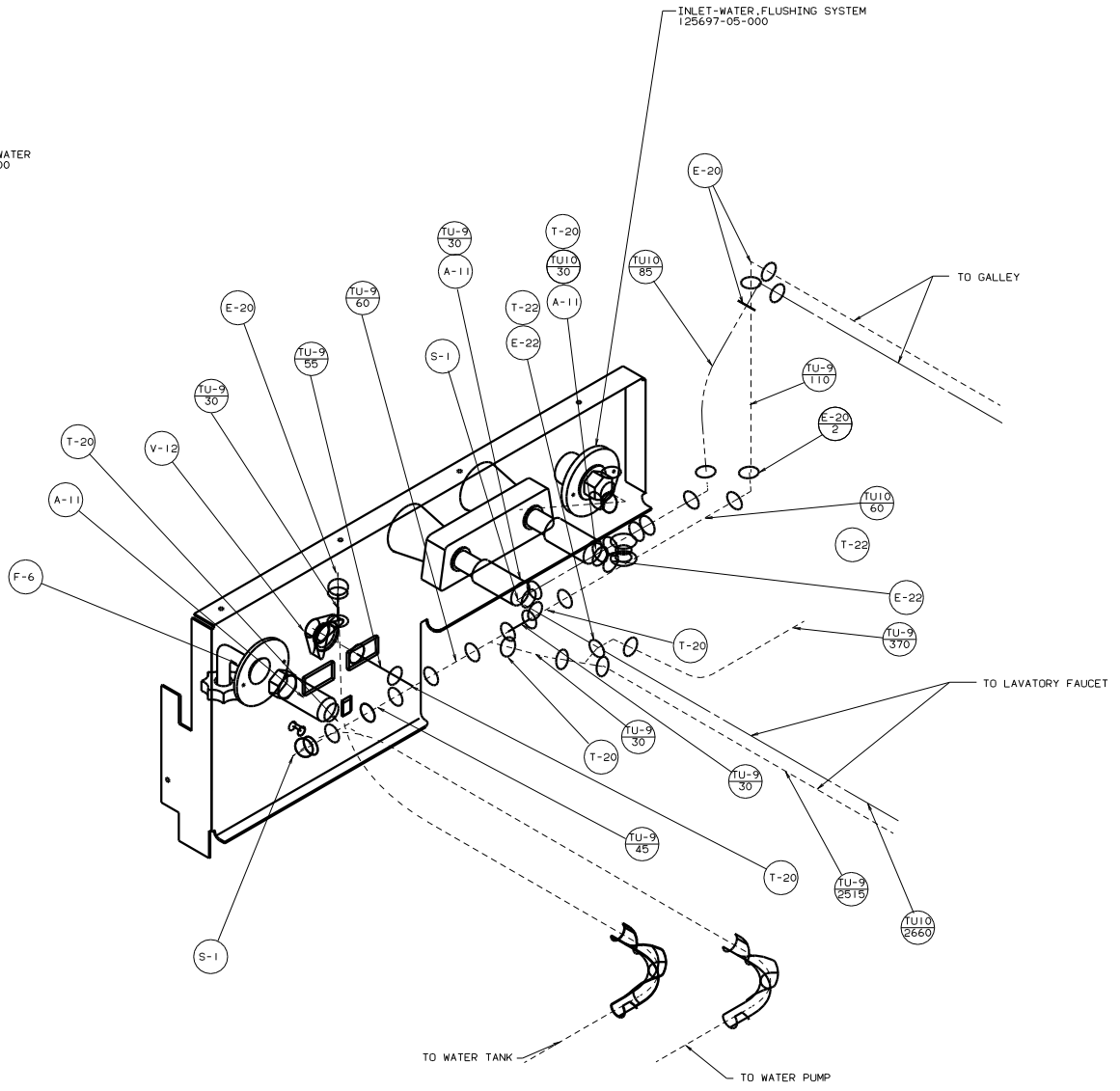
DETAIL E



VIEW J-J  
SHT 1

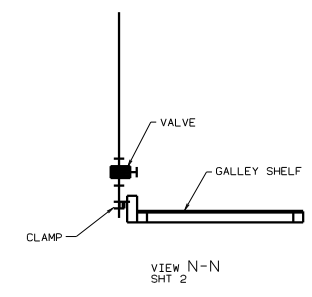
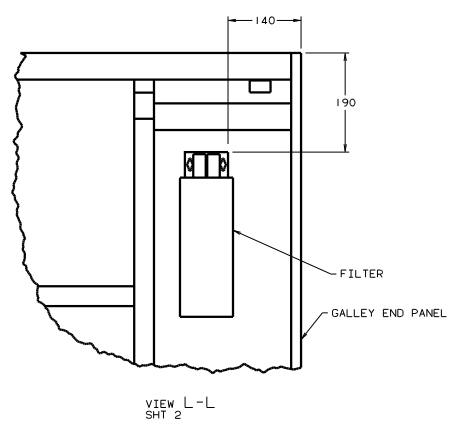
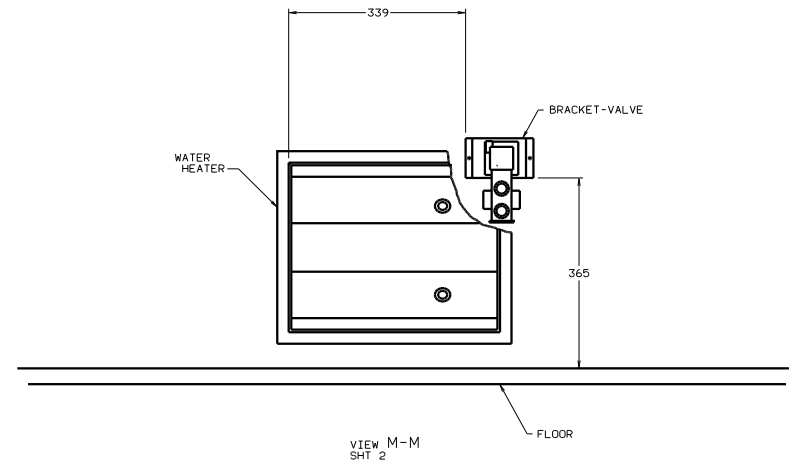
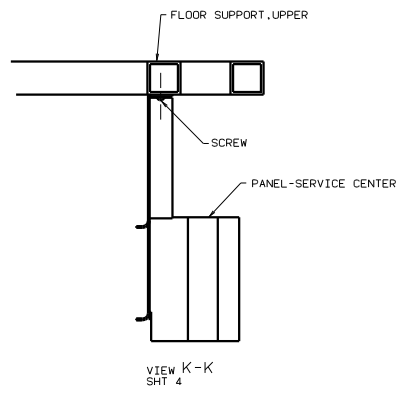


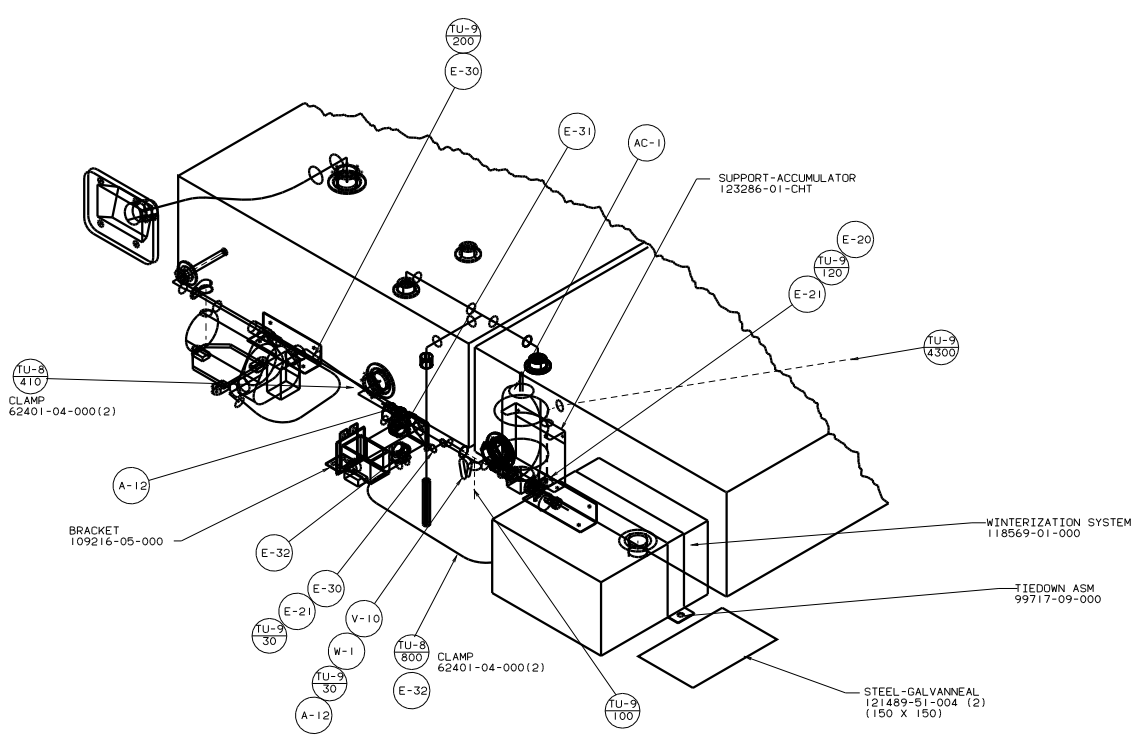
DETAIL G  
SHT 1  
FLUSHING SYSTEM



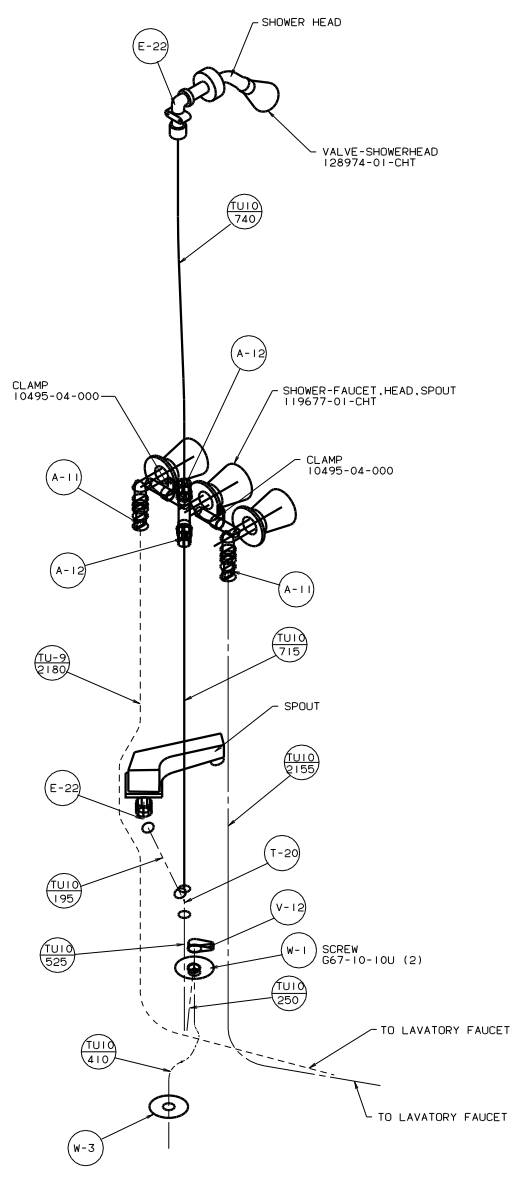
VIEW F-F  
SHT 1

TITLE		WATER SYSTEM INSTL	
NO	REV	DATE	BY
1	1		
SHEET 4 OF 6		128651	





DETAIL E  
530-WINTERIZING KIT



VIEW H-H  
SHT 1