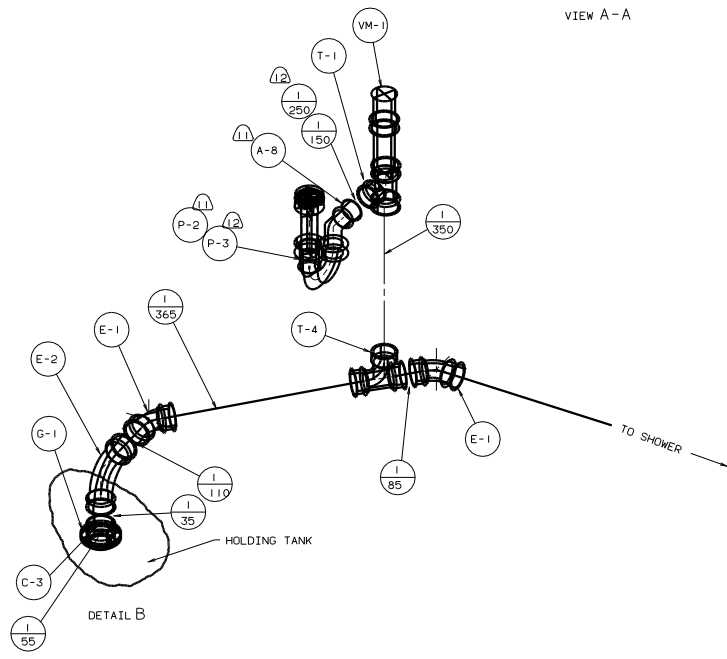
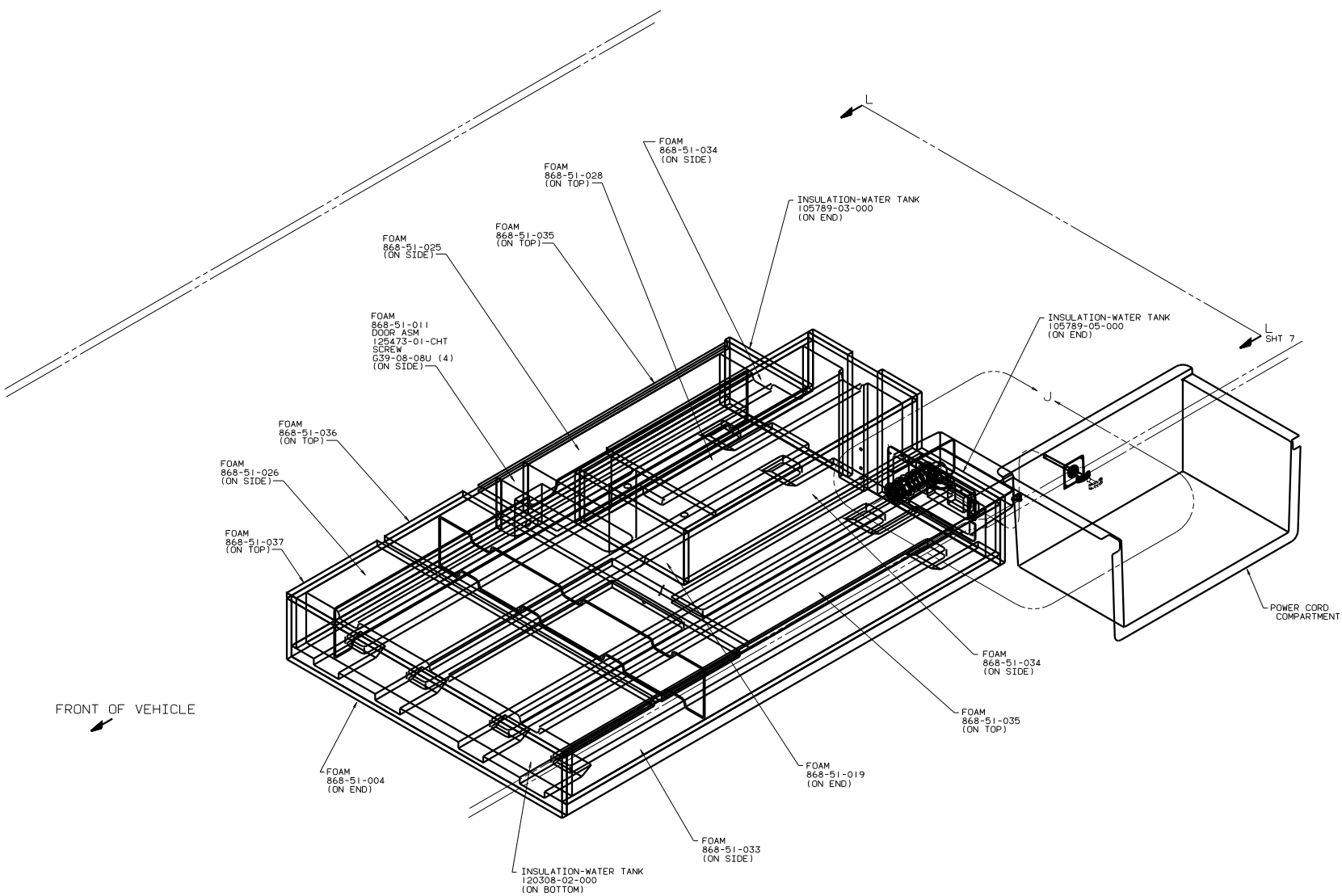


VIEW A-A



98 L36WQ, PUSHER

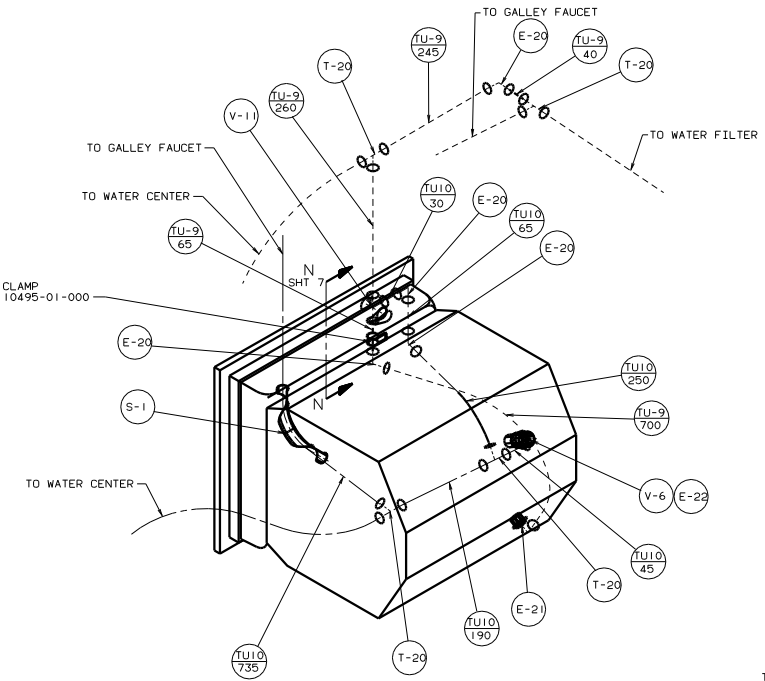
TITLE: DRAINAGE SYSTEM INSUL		DWG NO: 125998	
DATE: 2005	BY: J.E.	CHK: J.E.	APP: J.E.
SHEET 2 OF 2		PAGE 1	



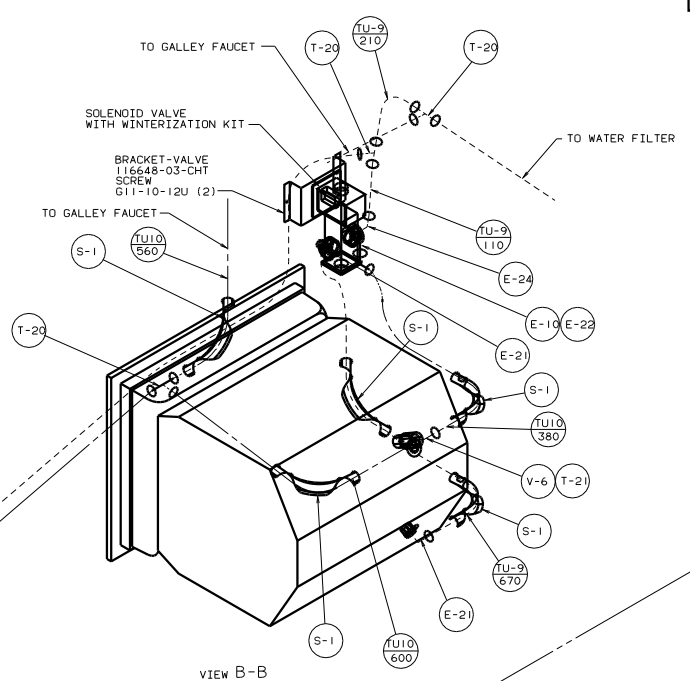
FRONT OF VEHICLE

98 L36WL PUSHER

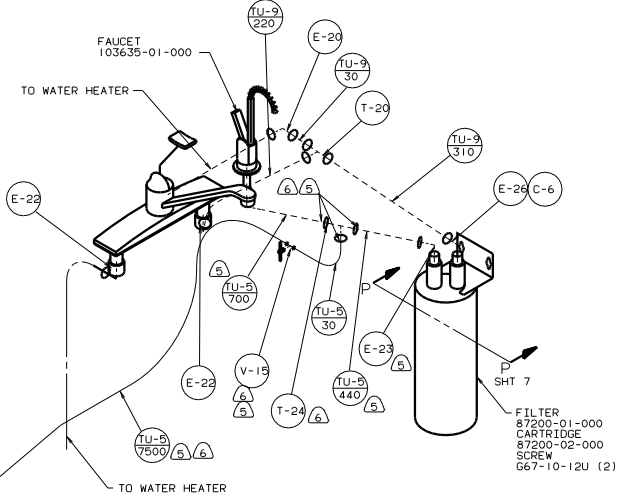
TITLE: WATER SYSTEM INSTL	
DO NOT SCALE DRAWING	Doc No 125997
SHEET 2 of 7	1 of 1



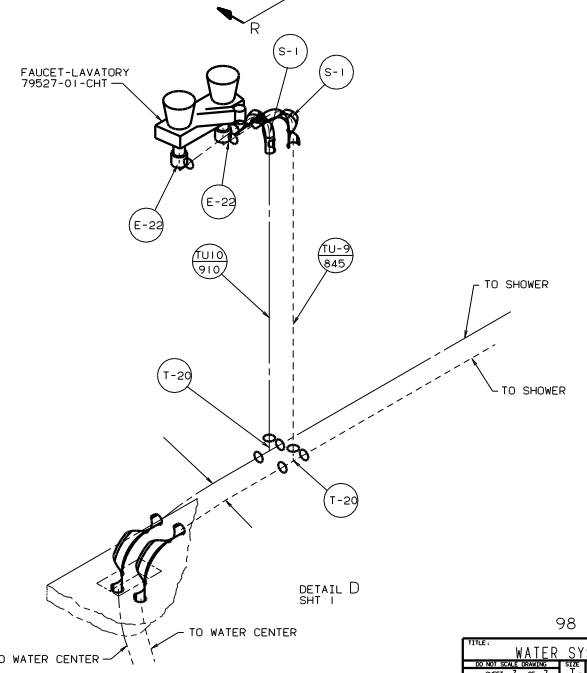
VIEW B-B
SHT 1
53J-WATER HEATER BYPASS VALVE



VIEW B-B
SHT 1
530-WATER HEATER AUTOMATIC WINTER



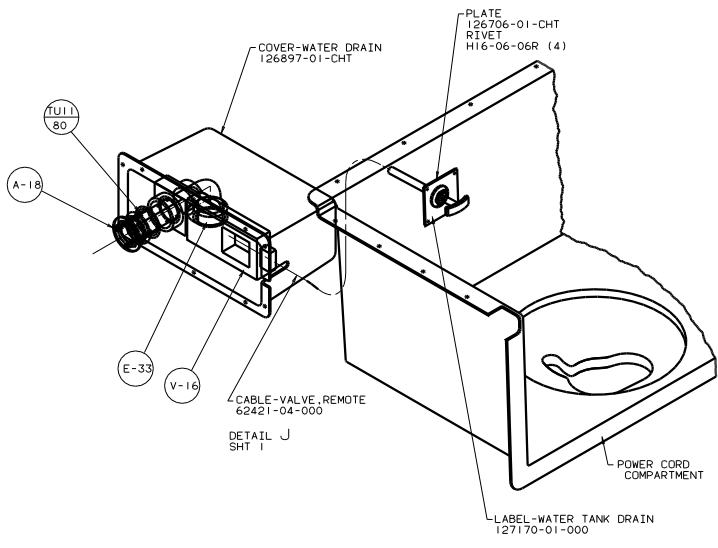
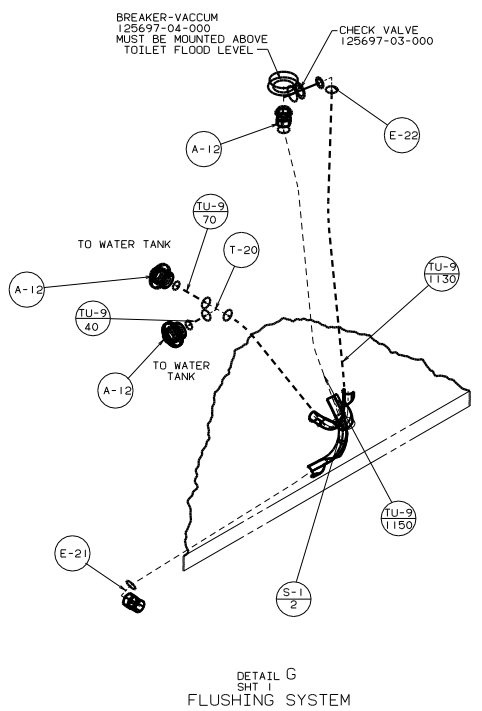
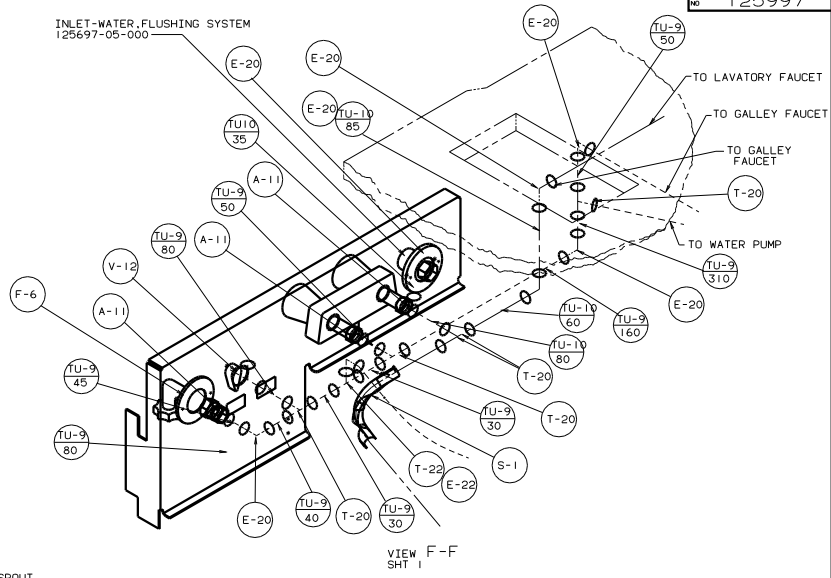
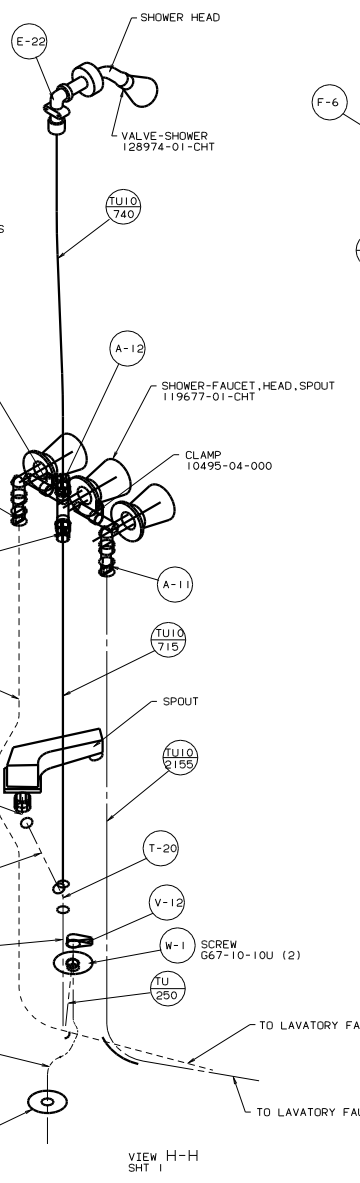
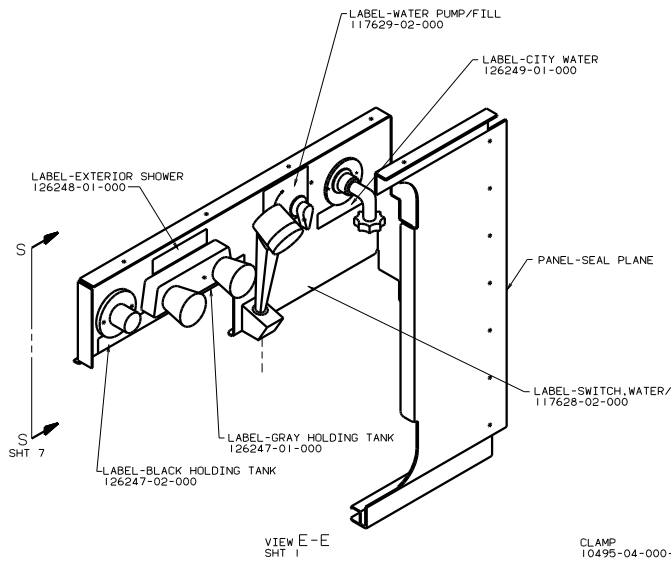
VIEW C-C
SHT 1
29B-WATER PURIFIER

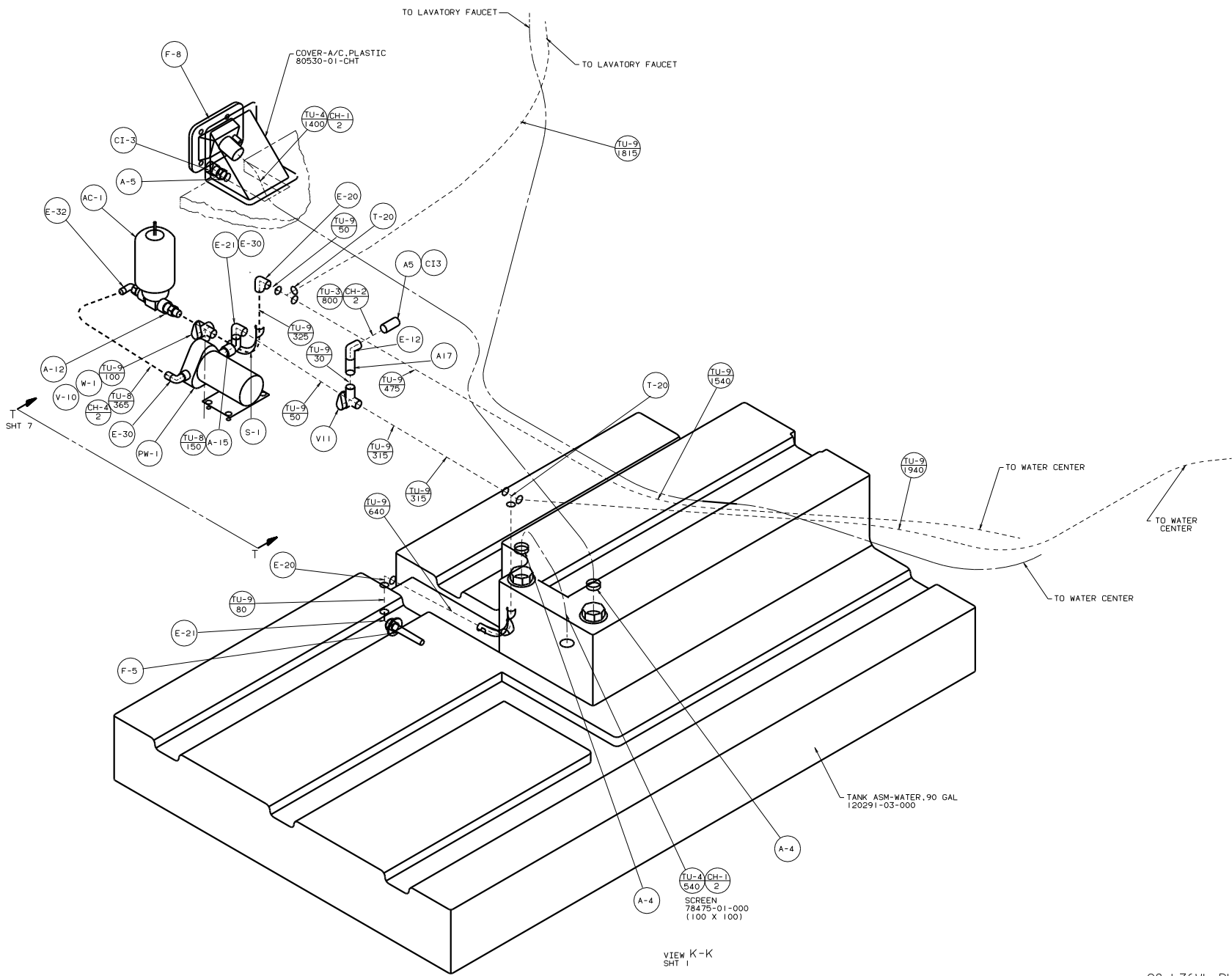


DETAIL D
SHT 1

98 L36WL PUSHER

TITLE		WATER SYSTEM INSTL	
30	NO SCALE DRAWING	1/8"	1/8"
SHEET 3 OF 7		REV	125997

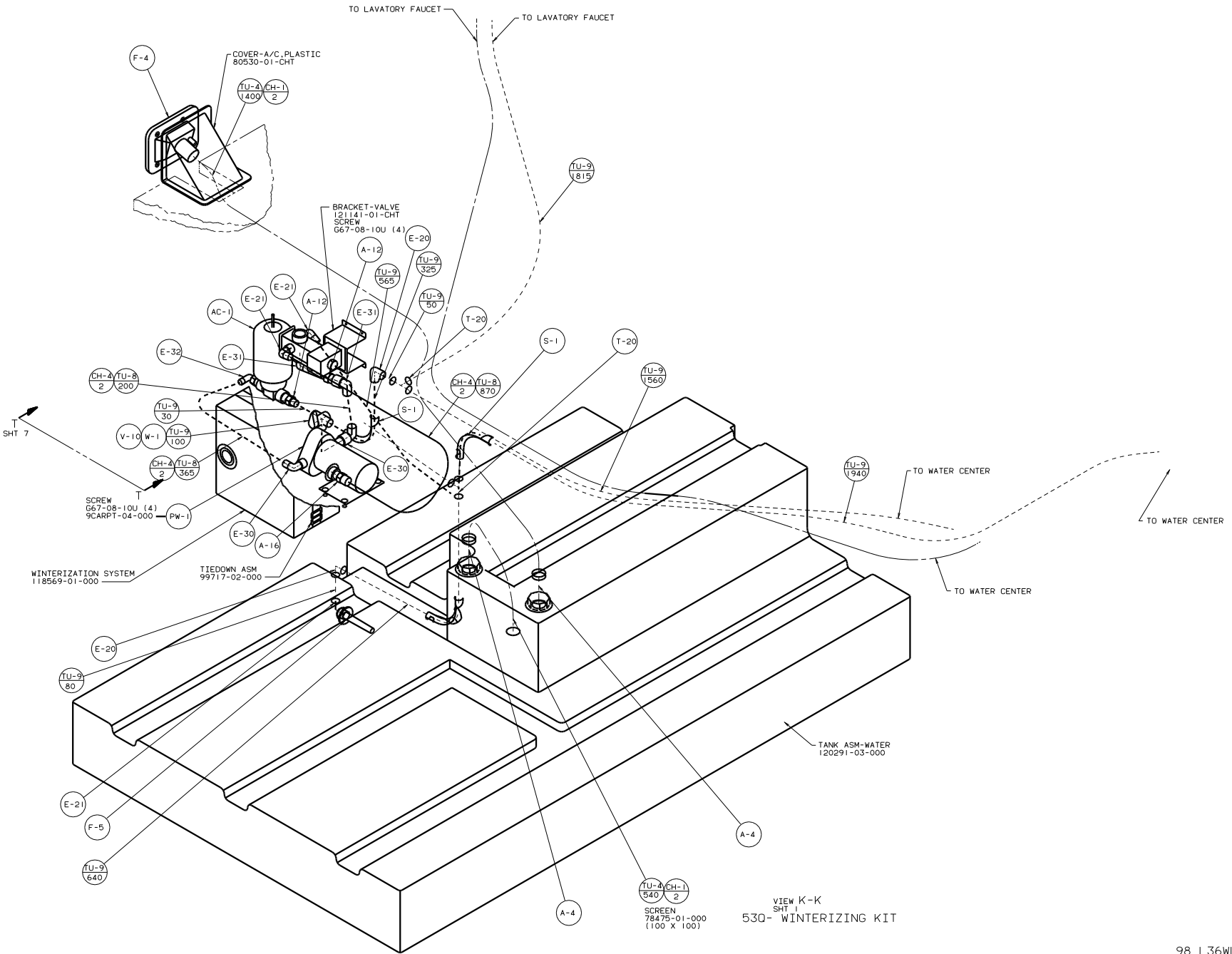




VIEW K-K
SHT 1

98 L36WL PUSHER

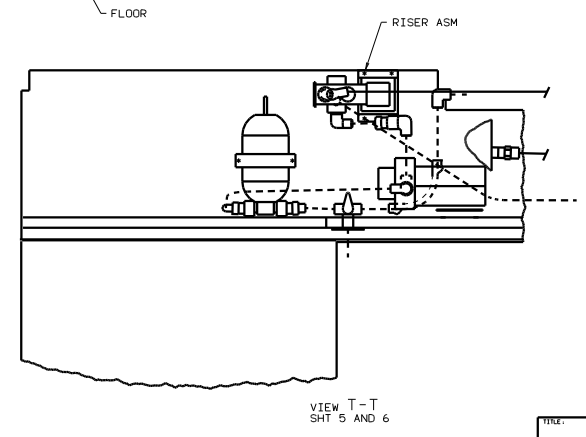
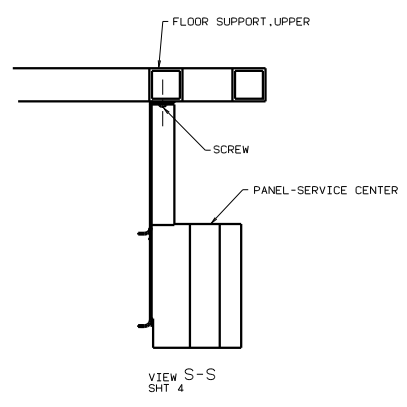
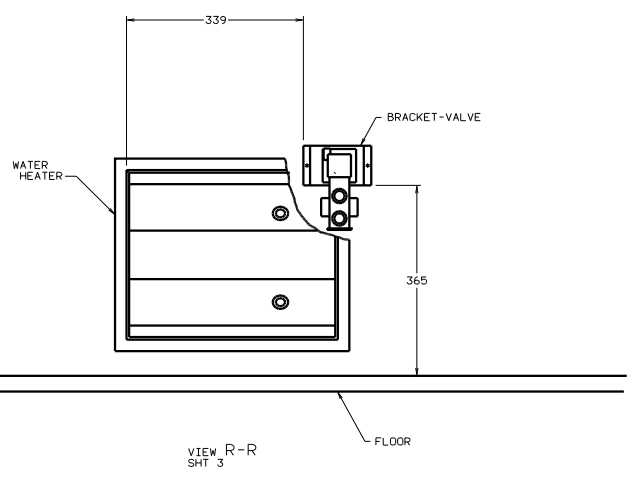
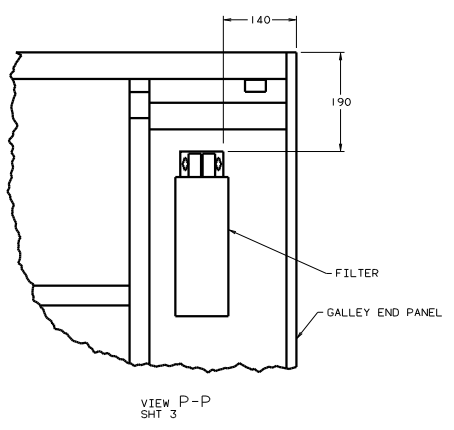
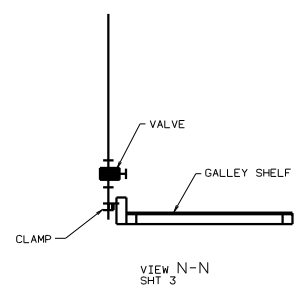
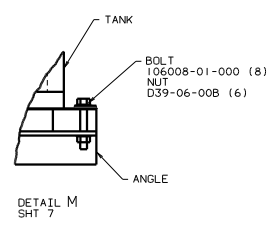
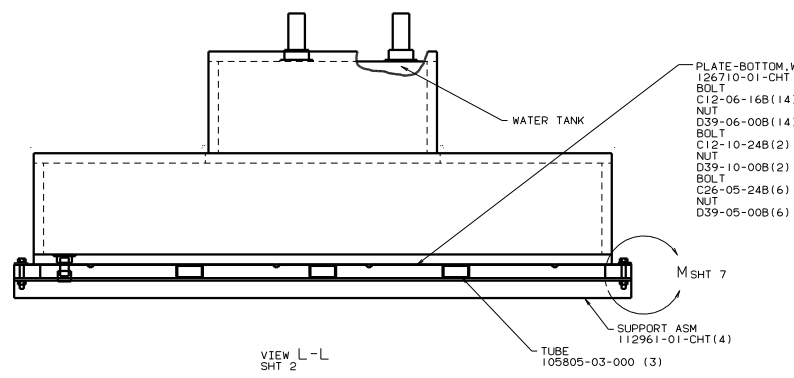
TITLE		125997	
WATER SYSTEM INSTL			
30 IN SCALE	DATE	REV	1
SHEET 5 OF 7		1	



VIEW K-K
SHT 1
53Q- WINTERIZING KIT

98 L36WL PUSHER

TITLE		125997	
WATER SYSTEM INSTL			
NO. OF SHEETS	TOTAL SHEETS	DATE	BY
6 OF 7	6		



98 L36WL PUSHER

TITLE		125997	
WATER SYSTEM INSTL		125997	
NO. OF SHEETS	TOTAL SHEETS	DATE	REV.
7	7		