

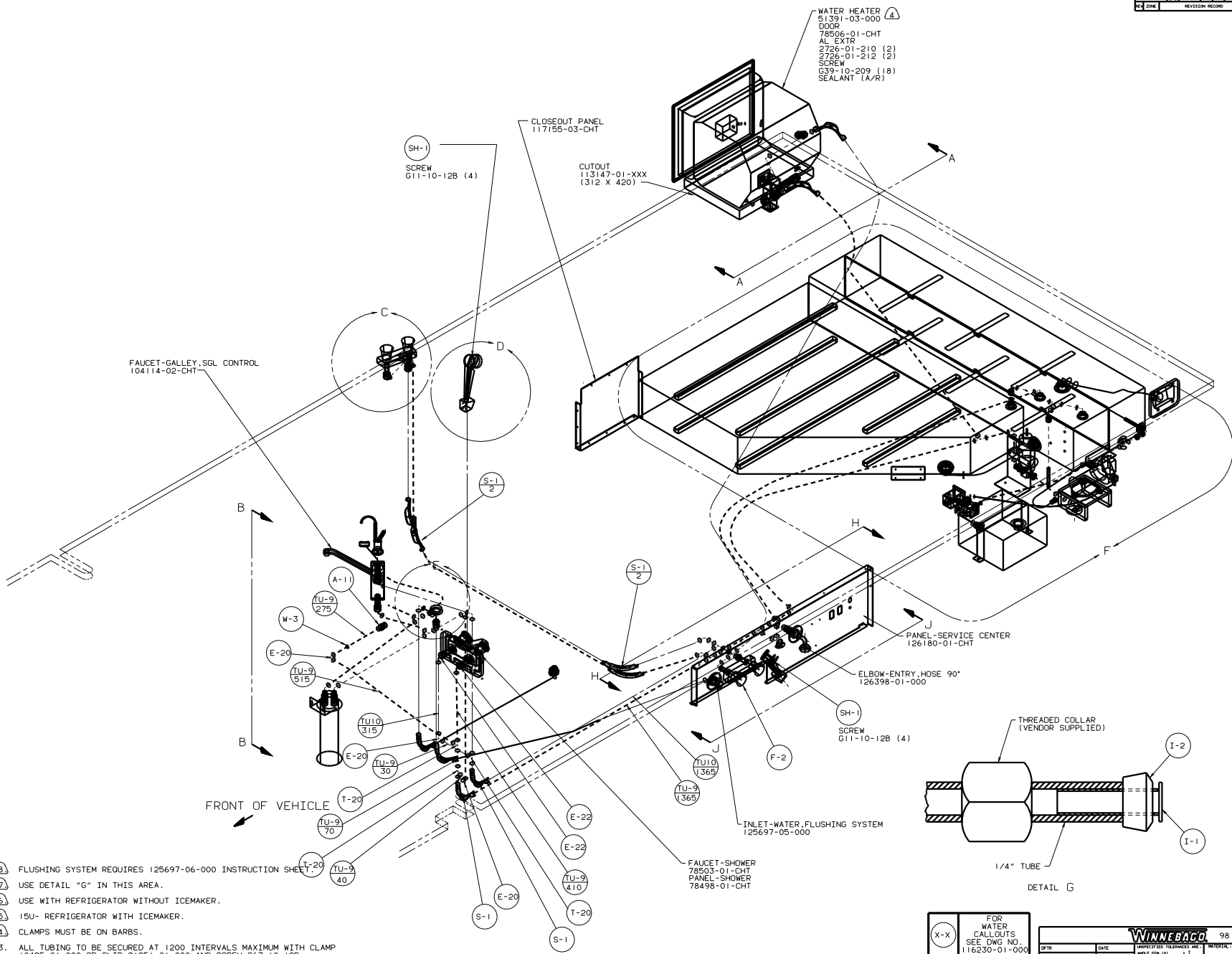
FRONT OF VEHICLE

- ② CSA ONLY.
- ① US ONLY.
- ⑩ SECURE VENT TUBES TO FLOOR WITH BRACKET.
- ⑨ VENT PIPE MUST PROJECT 51 MM MINIMUM AND 63.5 MM MAXIMUM ABOVE ROOF FOR PROPER FIT AND FUNCTION.
- 8. SEE DRAWING 61607-01-000 FOR INSTALLATION OF GROMMETS.
- 7. SEAL ALL AROUND SHOWER WITH SILICONE.
- 6. FOR CANADIAN UNITS EACH HOLDING TANK SHALL HAVE A CSA APPROVAL STAMPED NEAR THE IAMPO APPROVAL.
- 5. EXPOSED PIPE ABOVE ROOF TO BE PAINTED WITH 37163-01-000.
- 4. ALL EXTERIOR OPENINGS AROUND PIPE TO BE SEALED WITH 11074-01-000.
- 3. ALL PIPE AND FITTINGS TO BE ASSEMBLED WITH SOLVENT 4020-01-000.
- 2. SLOPE OF TRAP ARM MUST BE 6 PER 305.
- 1. SLOPE OF HORIZONTAL PIPING TO BE 6 PER 305 MINIMUM.

NOTES:

FOR DRAINAGE CALLOUTS SEE DWG NO. 116229-01-000

L35 WA		TITLE: DRAINAGE SYSTEM INSTL	
DATE	DATE	UNDESIGNED TOLERANCES ARE:	MATERIAL:
DATE	DATE	WELD DIM (1:1)	
DATE	DATE	ONE-PLACE (1:2)	
DATE	DATE	TWO-PLACE (1:3)	
DATE	DATE	THREE-PLACE (1:4)	
DATE	DATE	FOUR-PLACE (1:5)	
DATE	DATE	FIVE-PLACE (1:6)	
DATE	DATE	SIX-PLACE (1:8)	
DATE	DATE	SEVEN-PLACE (1:10)	
DATE	DATE	EIGHT-PLACE (1:12)	
DATE	DATE	NINE-PLACE (1:15)	
DATE	DATE	TEN-PLACE (1:20)	
DATE	DATE	ELEVEN-PLACE (1:25)	
DATE	DATE	TWELVE-PLACE (1:30)	
DATE	DATE	THIRTEEN-PLACE (1:40)	
DATE	DATE	FOURTEEN-PLACE (1:50)	
DATE	DATE	FIFTEEN-PLACE (1:60)	
DATE	DATE	SIXTEEN-PLACE (1:80)	
DATE	DATE	SEVENTEEN-PLACE (1:100)	
DATE	DATE	EIGHTEEN-PLACE (1:125)	
DATE	DATE	NINETEEN-PLACE (1:150)	
DATE	DATE	TWENTY-PLACE (1:200)	
DATE	DATE	TWENTY-ONE PLACE (1:250)	
DATE	DATE	TWENTY-TWO PLACE (1:300)	
DATE	DATE	TWENTY-THREE PLACE (1:400)	
DATE	DATE	TWENTY-FOUR PLACE (1:500)	
DATE	DATE	TWENTY-FIVE PLACE (1:600)	
DATE	DATE	TWENTY-SIX PLACE (1:800)	
DATE	DATE	TWENTY-SEVEN PLACE (1:1000)	
DATE	DATE	TWENTY-EIGHT PLACE (1:1250)	
DATE	DATE	TWENTY-NINE PLACE (1:1500)	
DATE	DATE	THIRTY PLACE (1:2000)	
DATE	DATE	THIRTY-ONE PLACE (1:2500)	
DATE	DATE	THIRTY-TWO PLACE (1:3000)	
DATE	DATE	THIRTY-THREE PLACE (1:4000)	
DATE	DATE	THIRTY-FOUR PLACE (1:5000)	
DATE	DATE	THIRTY-FIVE PLACE (1:6000)	
DATE	DATE	THIRTY-SIX PLACE (1:8000)	
DATE	DATE	THIRTY-SEVEN PLACE (1:10000)	
DATE	DATE	THIRTY-EIGHT PLACE (1:12500)	
DATE	DATE	THIRTY-NINE PLACE (1:15000)	
DATE	DATE	FOURTY PLACE (1:20000)	
DATE	DATE	FOURTY-ONE PLACE (1:25000)	
DATE	DATE	FOURTY-TWO PLACE (1:30000)	
DATE	DATE	FOURTY-THREE PLACE (1:40000)	
DATE	DATE	FOURTY-FOUR PLACE (1:50000)	
DATE	DATE	FOURTY-FIVE PLACE (1:60000)	
DATE	DATE	FOURTY-SIX PLACE (1:80000)	
DATE	DATE	FOURTY-SEVEN PLACE (1:100000)	
DATE	DATE	FOURTY-EIGHT PLACE (1:125000)	
DATE	DATE	FOURTY-NINE PLACE (1:150000)	
DATE	DATE	FIFTY PLACE (1:200000)	
DATE	DATE	FIFTY-ONE PLACE (1:250000)	
DATE	DATE	FIFTY-TWO PLACE (1:300000)	
DATE	DATE	FIFTY-THREE PLACE (1:400000)	
DATE	DATE	FIFTY-FOUR PLACE (1:500000)	
DATE	DATE	FIFTY-FIVE PLACE (1:600000)	
DATE	DATE	FIFTY-SIX PLACE (1:800000)	
DATE	DATE	FIFTY-SEVEN PLACE (1:1000000)	
DATE	DATE	FIFTY-EIGHT PLACE (1:1250000)	
DATE	DATE	FIFTY-NINE PLACE (1:1500000)	
DATE	DATE	SIXTY PLACE (1:2000000)	
DATE	DATE	SIXTY-ONE PLACE (1:2500000)	
DATE	DATE	SIXTY-TWO PLACE (1:3000000)	
DATE	DATE	SIXTY-THREE PLACE (1:4000000)	
DATE	DATE	SIXTY-FOUR PLACE (1:5000000)	
DATE	DATE	SIXTY-FIVE PLACE (1:6000000)	
DATE	DATE	SIXTY-SIX PLACE (1:8000000)	
DATE	DATE	SIXTY-SEVEN PLACE (1:10000000)	
DATE	DATE	SIXTY-EIGHT PLACE (1:12500000)	
DATE	DATE	SIXTY-NINE PLACE (1:15000000)	
DATE	DATE	SEVENTY PLACE (1:20000000)	
DATE	DATE	SEVENTY-ONE PLACE (1:25000000)	
DATE	DATE	SEVENTY-TWO PLACE (1:30000000)	
DATE	DATE	SEVENTY-THREE PLACE (1:40000000)	
DATE	DATE	SEVENTY-FOUR PLACE (1:50000000)	
DATE	DATE	SEVENTY-FIVE PLACE (1:60000000)	
DATE	DATE	SEVENTY-SIX PLACE (1:80000000)	
DATE	DATE	SEVENTY-SEVEN PLACE (1:100000000)	
DATE	DATE	SEVENTY-EIGHT PLACE (1:125000000)	
DATE	DATE	SEVENTY-NINE PLACE (1:150000000)	
DATE	DATE	EIGHTY PLACE (1:200000000)	
DATE	DATE	EIGHTY-ONE PLACE (1:250000000)	
DATE	DATE	EIGHTY-TWO PLACE (1:300000000)	
DATE	DATE	EIGHTY-THREE PLACE (1:400000000)	
DATE	DATE	EIGHTY-FOUR PLACE (1:500000000)	
DATE	DATE	EIGHTY-FIVE PLACE (1:600000000)	
DATE	DATE	EIGHTY-SIX PLACE (1:800000000)	
DATE	DATE	EIGHTY-SEVEN PLACE (1:1000000000)	
DATE	DATE	EIGHTY-EIGHT PLACE (1:1250000000)	
DATE	DATE	EIGHTY-NINE PLACE (1:1500000000)	
DATE	DATE	NINETY PLACE (1:2000000000)	
DATE	DATE	NINETY-ONE PLACE (1:2500000000)	
DATE	DATE	NINETY-TWO PLACE (1:3000000000)	
DATE	DATE	NINETY-THREE PLACE (1:4000000000)	
DATE	DATE	NINETY-FOUR PLACE (1:5000000000)	
DATE	DATE	NINETY-FIVE PLACE (1:6000000000)	
DATE	DATE	NINETY-SIX PLACE (1:8000000000)	
DATE	DATE	NINETY-SEVEN PLACE (1:10000000000)	
DATE	DATE	NINETY-EIGHT PLACE (1:12500000000)	
DATE	DATE	NINETY-NINE PLACE (1:15000000000)	
DATE	DATE	HUNDRED PLACE (1:20000000000)	



- NOTES:
1. PLASTIC FITTINGS TO BE SEALED WITH SEALANT 84456-01000.
 2. TUBING TO BE INSTALLED WITH SUFFICIENT SLOPE TO PROVIDE DRAINAGE TO NEAREST VALVE.
 3. ALL TUBING TO BE SECURED AT 1200 INTERVALS MAXIMUM WITH CLAMP 10495-01-000 OR CLIP 91951-01-000 AND SCREW G67-10-12B.
- LEGEND:
- △ FLUSHING SYSTEM REQUIRES 125697-06-000 INSTRUCTION SHEET
 - ⚠ USE DETAIL "G" IN THIS AREA.
 - ⚠ USE WITH REFRIGERATOR WITHOUT ICEMAKER.
 - ⚠ 15U- REFRIGERATOR WITH ICEMAKER.
 - ⚠ CLAMPS MUST BE ON BARBS.

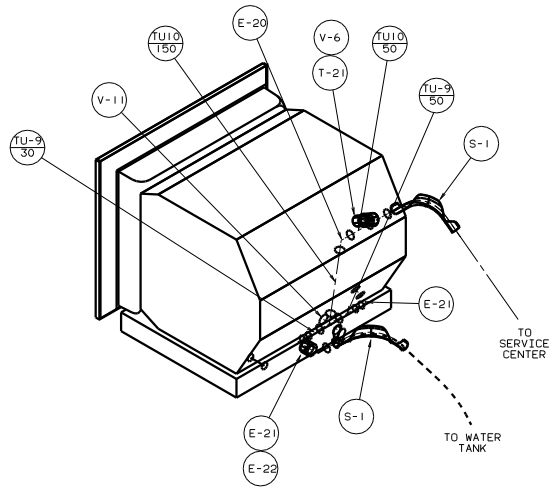
FOR WATER CALLOUTS SEE DWG NO 116230-01-000

HOT	*****
COLD	*****

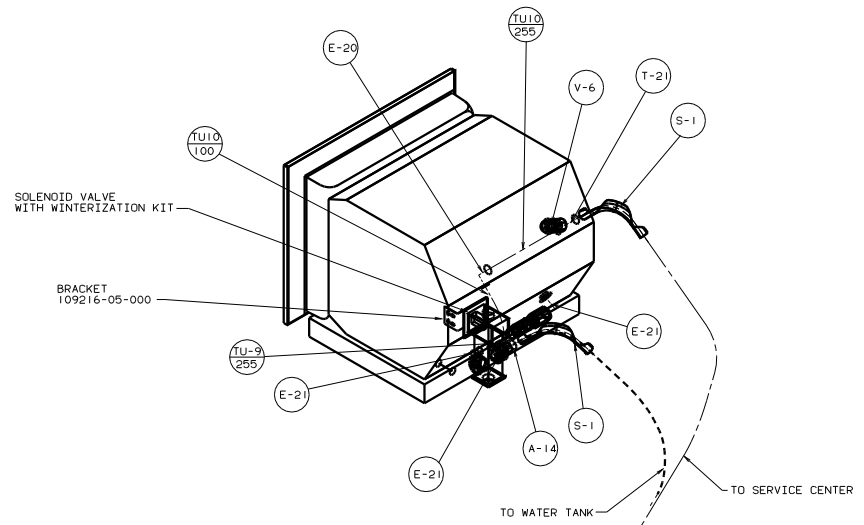
WINNEBAGO 98 L35WA

DATE	UNDESIGNED TOLERANCES ARE:	MATERIAL
DATE	ONE-PLACE (1X.X1)	
DATE	TWO-PLACE (1X.XX)	
DATE	THREE-PLACE (1X.XXX)	
DATE	FOUR-PLACE (1X.XXXX)	
DATE	FIVE-PLACE (1X.XXXXX)	
DATE	SIX-PLACE (1X.XXXXXX)	
DATE	SEVEN-PLACE (1X.XXXXXXX)	
DATE	EIGHT-PLACE (1X.XXXXXXX)	
DATE	NINE-PLACE (1X.XXXXXXX)	
DATE	TEN-PLACE (1X.XXXXXXX)	
DATE	ELEVEN-PLACE (1X.XXXXXXX)	
DATE	TWELVE-PLACE (1X.XXXXXXX)	

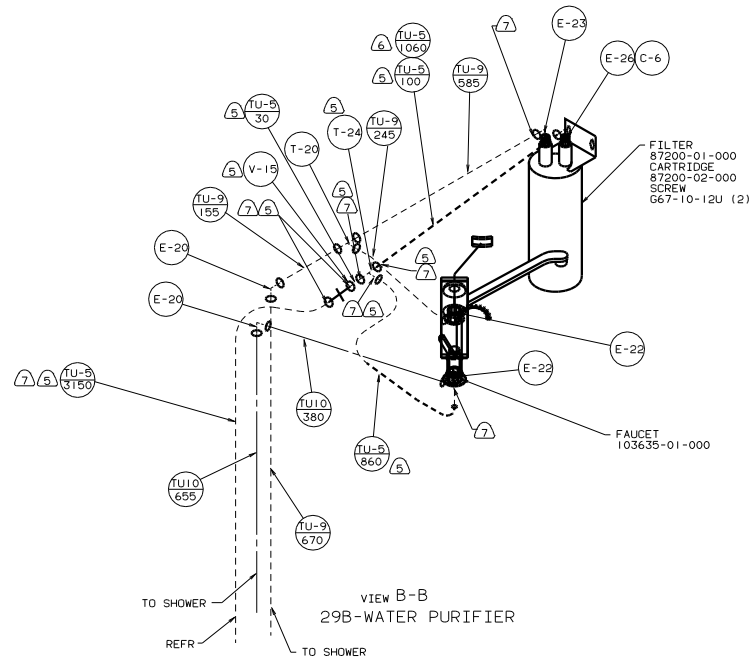
LANE 135WA TITLE: WATER SYSTEM INSTL
 DIA # SCALE: NONE TO THE SCALE SHOWN: 1:1
 ALL DIMENSIONS ARE IN MILLIMETERS SHEET 1 OF 5 126400



53J-WATER HEATER BYPASS VALVE

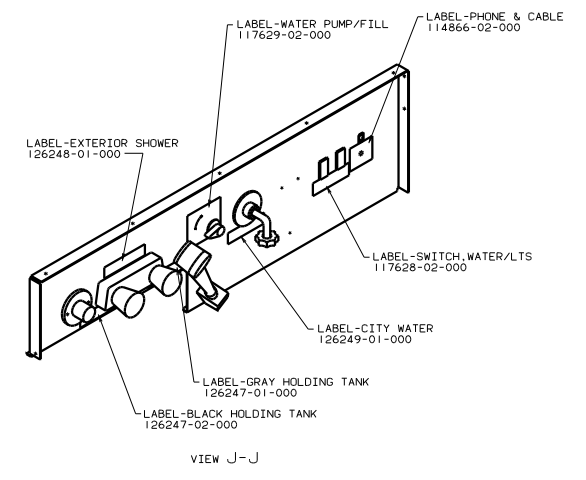
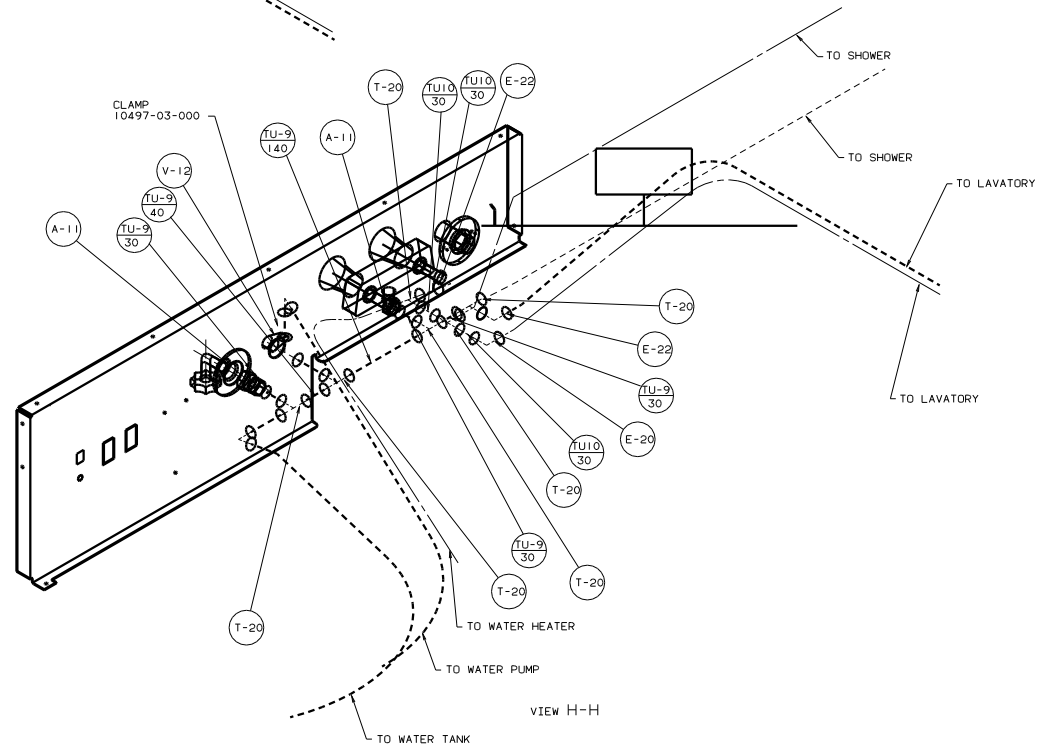
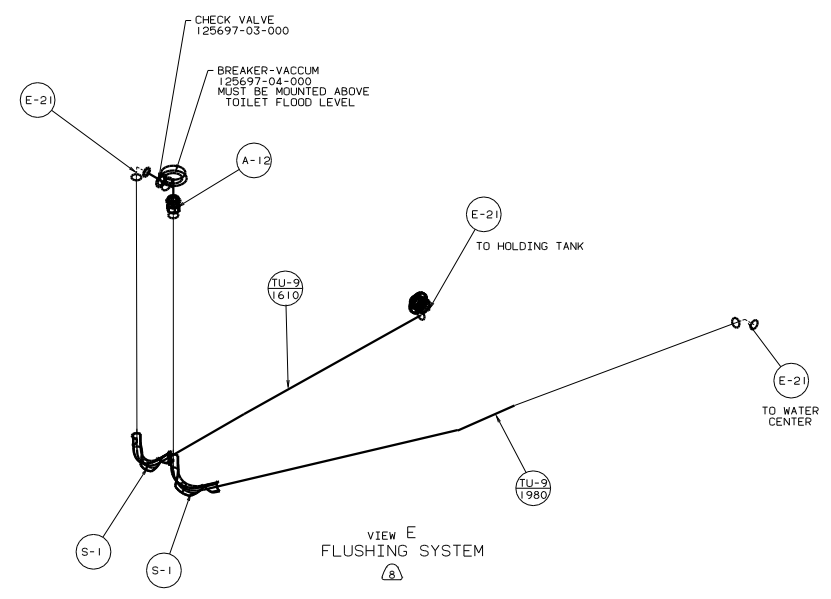
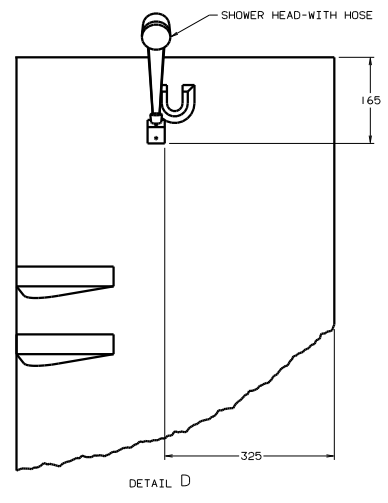
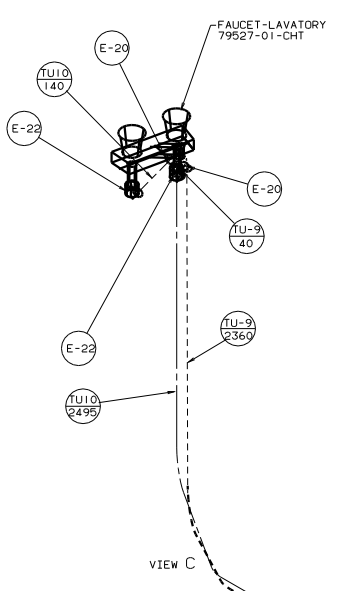


VIEW A-A
53Q-WATER HEATER AUTOMATIC WINTER

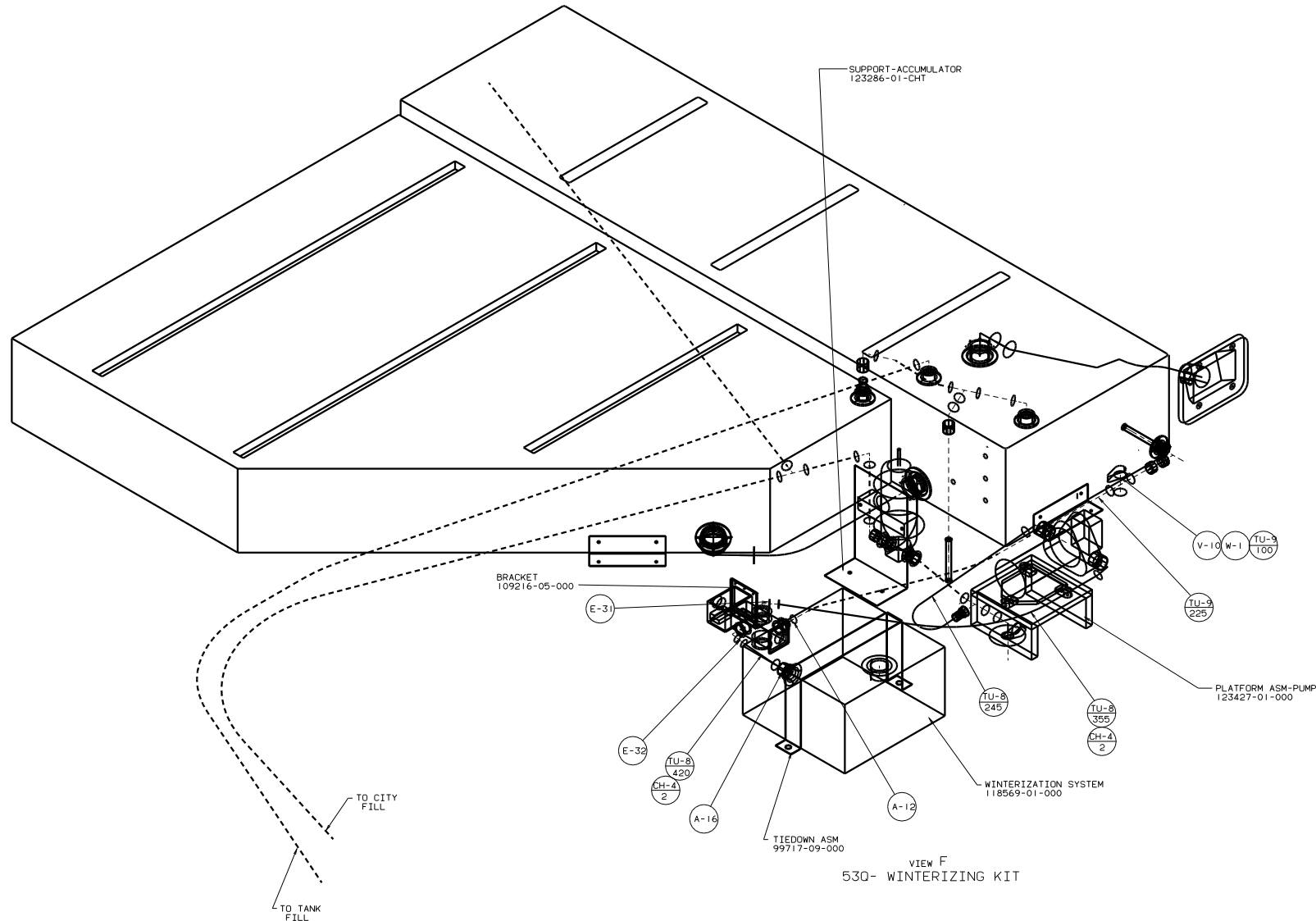


VIEW B-B
29B-WATER PURIFIER

TITLE		WATER SYSTEM INSTL	
30	NO	1	1
SHEET 2 OF 5		REV	126400



TITLE		WATER SYSTEM INSTL	
30	NO SCALE	1/2	1/2
SHEET 3 OF 5		126400	



VIEW F
530- WINTERIZING KIT

TITLE: WATER SYSTEM INSTL	
NO. OF SHEETS: 5	SHEET NO: 5
REV: 1	DATE: 126400