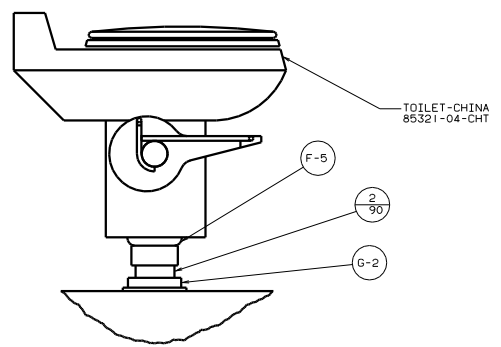
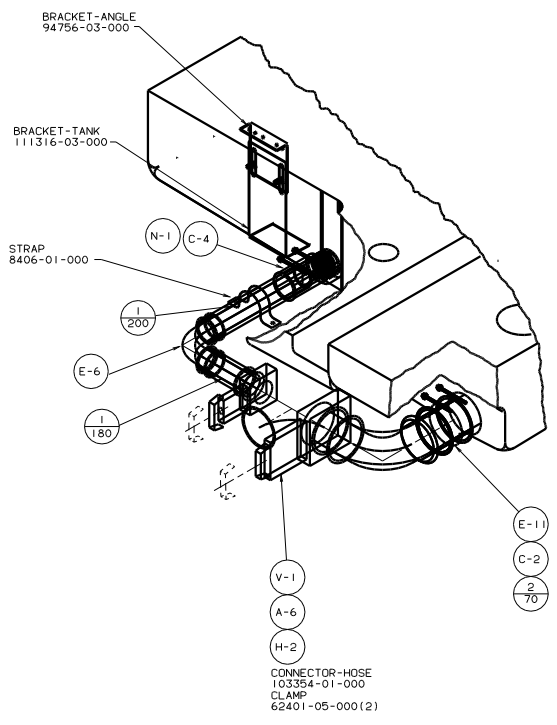


VIEW A-A

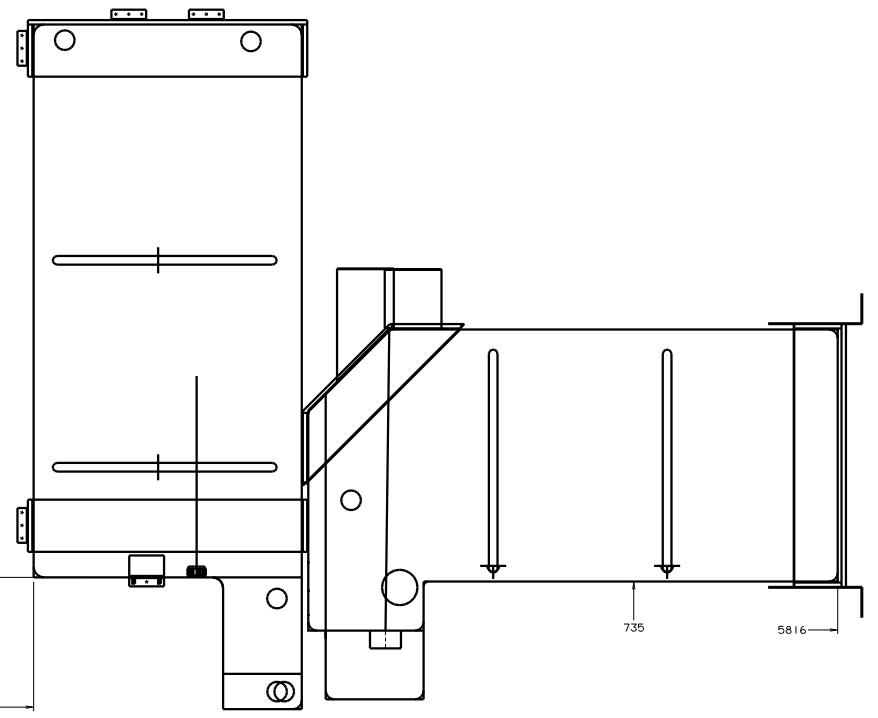
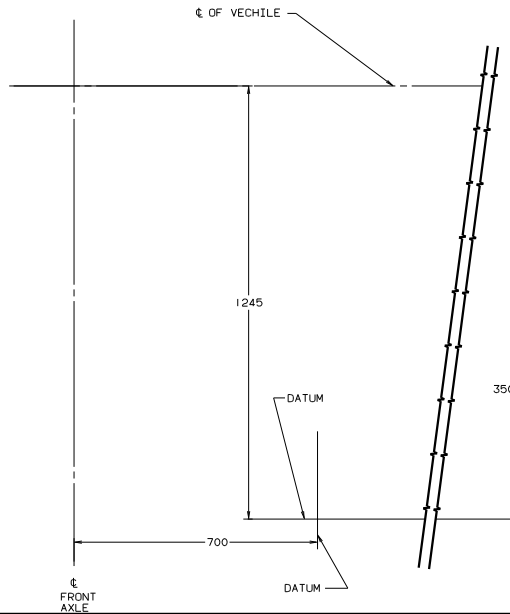
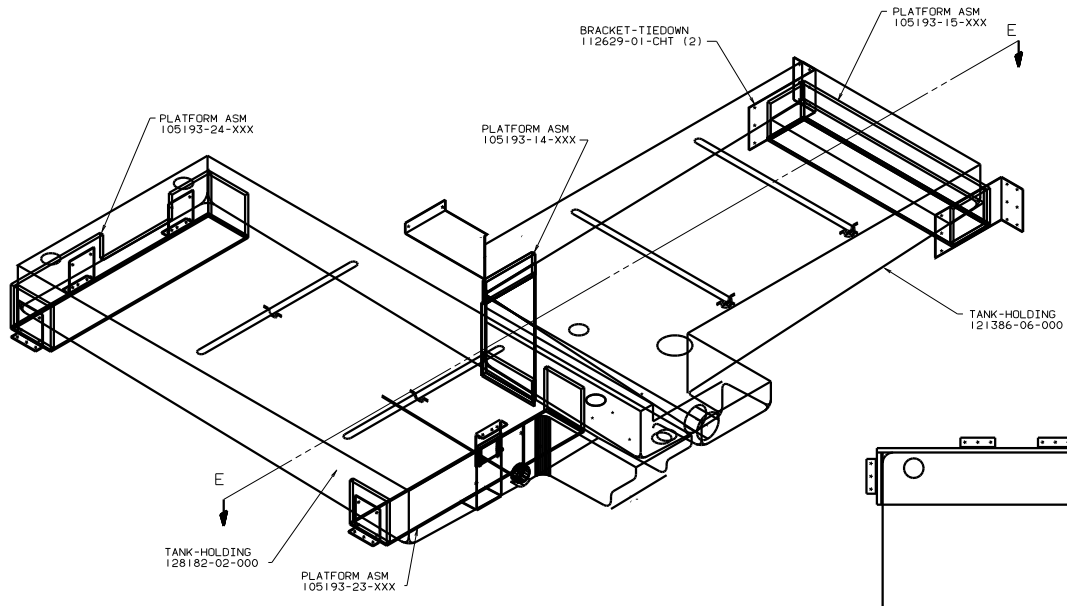


VIEW B-B



DETAIL C

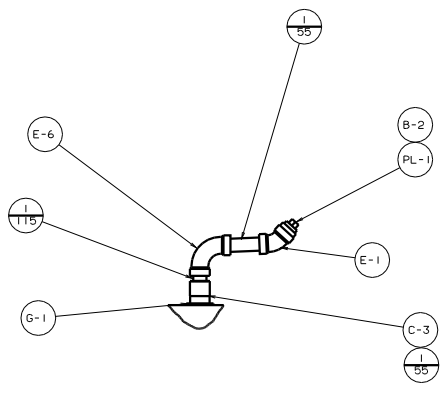
CONNECTOR-HOSE  
103354-01-000  
CLAMP  
62401-05-000(2)



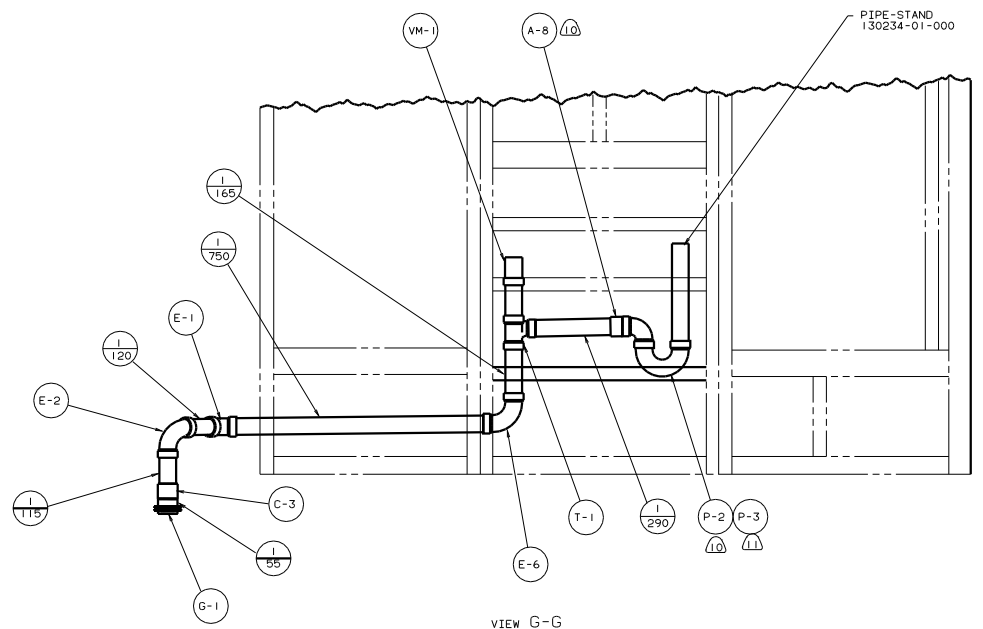
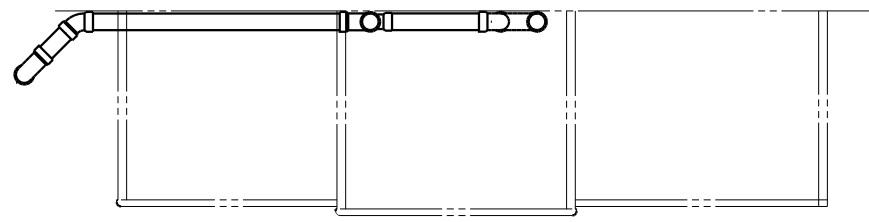
VIEW E-E

98 G37WW

TITLE: DRAINAGE SYSTEM INSTL	
30 101 1000 0000	1.0
SHEET 3 OF 4	127361



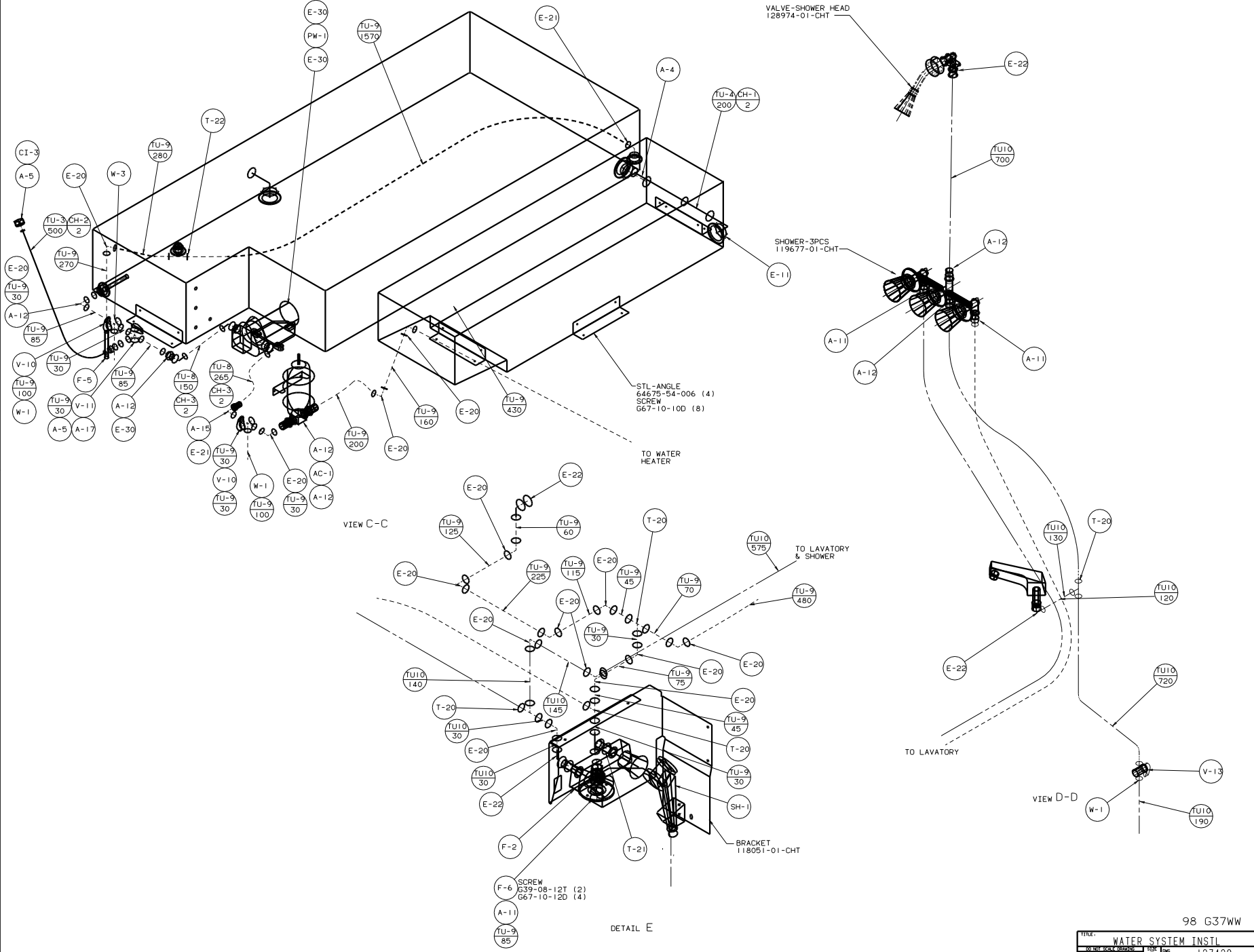
VIEW F-F  
WITHOUT WASHER/DRYER



VIEW G-G  
WITH WASHER/DRYER







VIEW C-C

DETAIL E

VIEW D-D

