



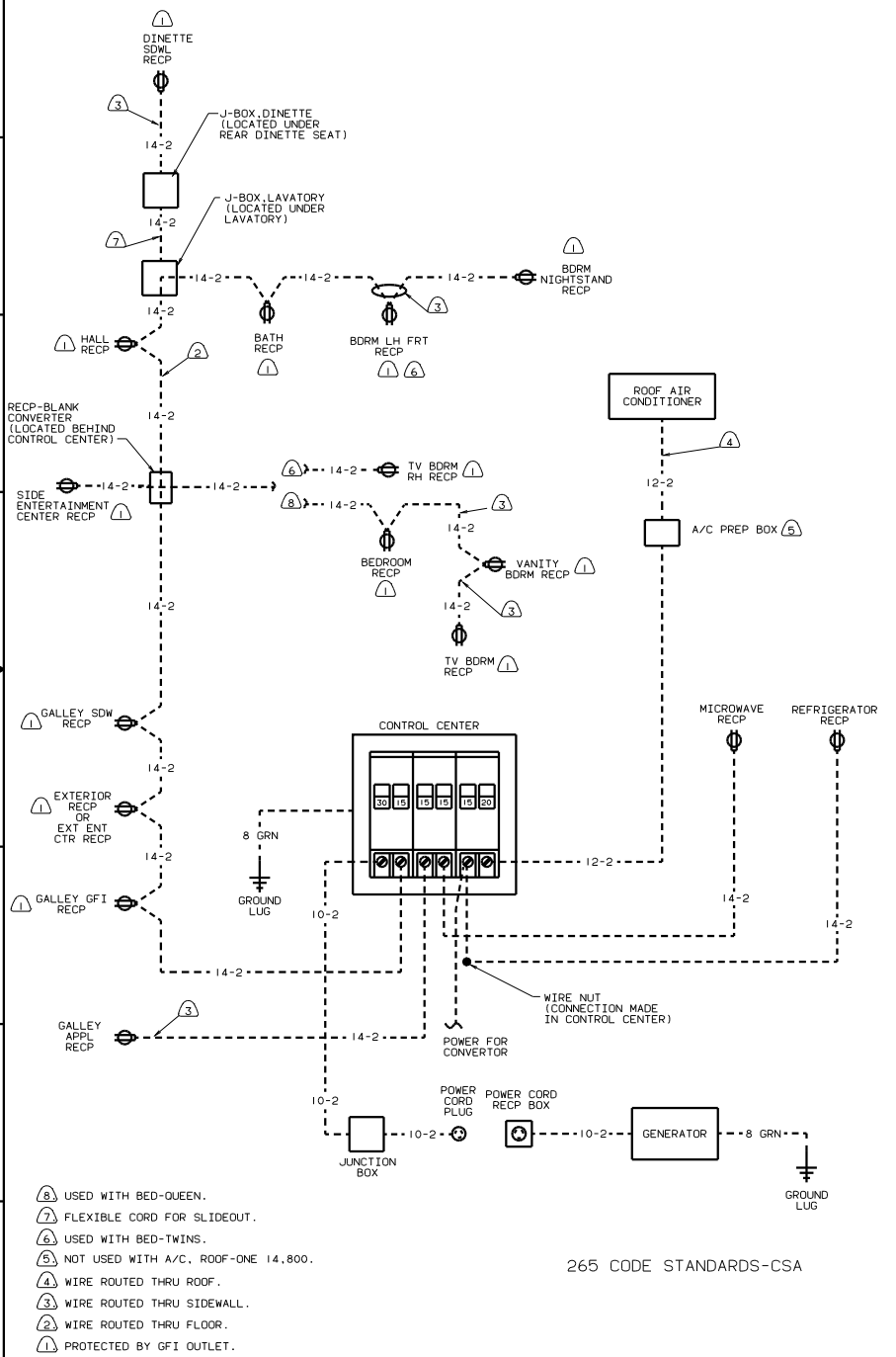
DANGER

Danger of electrical shock, burns or death. Always remove all power sources before attempting any repair, service or diagnostic work. Power can be present from shore power, generator, inverter or battery. All power sources must be disabled and secured before performing any service.

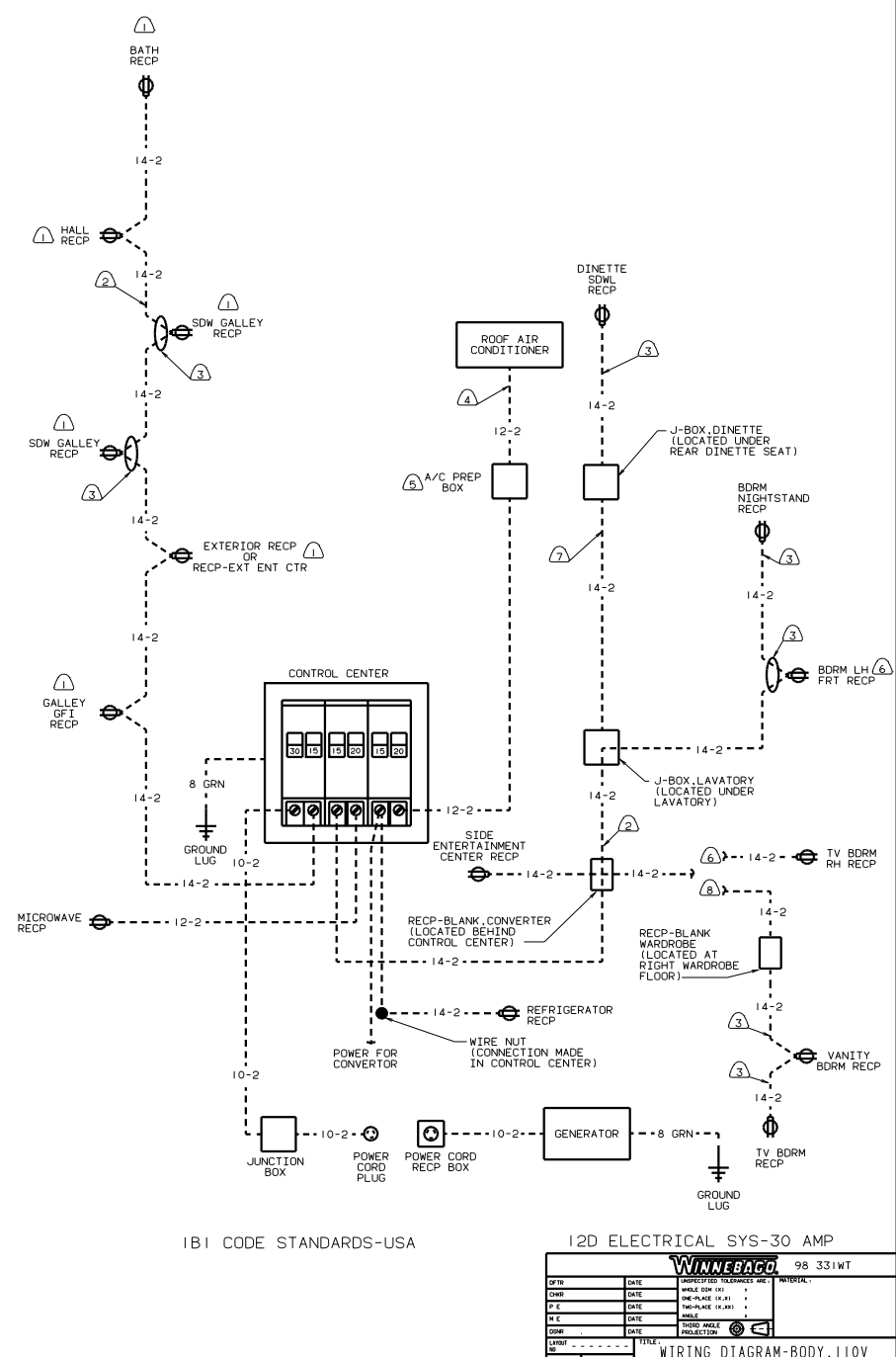


CAUTION

If you lack the skills, tools or equipment to perform diagnostic or repair work leave such work to an authorized Winnebago Industries dealer or other qualified shop.



NOTES:
 (A) USED WITH BED-QUEEN.
 (7) FLEXIBLE CORD FOR SLIDEOUT.
 (6) USED WITH BED-TWINS.
 (5) NOT USED WITH A/C. ROOF-ONE 14.800.
 (4) WIRE ROUTED THRU ROOF.
 (3) WIRE ROUTED THRU SIDEWALL.
 (2) WIRE ROUTED THRU FLOOR.
 (1) PROTECTED BY GFI OUTLET.



IBI CODE STANDARDS-USA
 12D ELECTRICAL SYS-30 AMP

WINNEBAGO		98 331WT
OF IN	DATE	UNDESIGNED TELEPHONE ARE
CHP	DATE	WALL OR 101
PL	DATE	ONE-PLATE (19.21)
PL	DATE	TWO-PLATE (19.20)
PL	DATE	WALL
COMP	DATE	INDIC. W/ALL PRODUCTION
DATE	DATE	
WIRING DIAGRAM-BODY 110V		
SHEET 1 OF 1	SCALE: NONE	DATE: 11/12/80
128180		