



**DANGER**

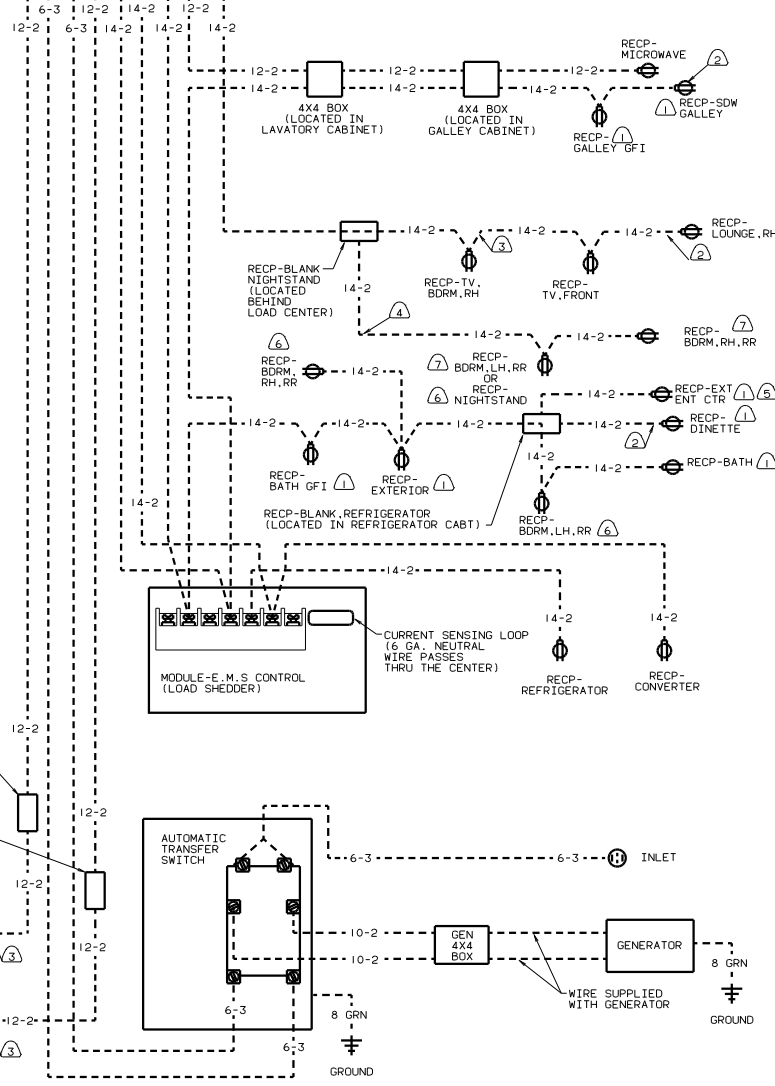
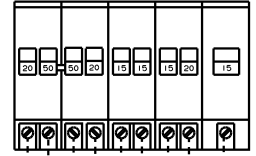
**Danger of electrical shock, burns or death.** Always remove all power sources before attempting any repair, service or diagnostic work. Power can be present from shore power, generator, inverter or battery. All power sources must be disabled and secured before performing any service.



**CAUTION**

If you lack the skills, tools or equipment to perform diagnostic or repair work leave such work to an authorized Winnebago Industries dealer or other qualified shop.

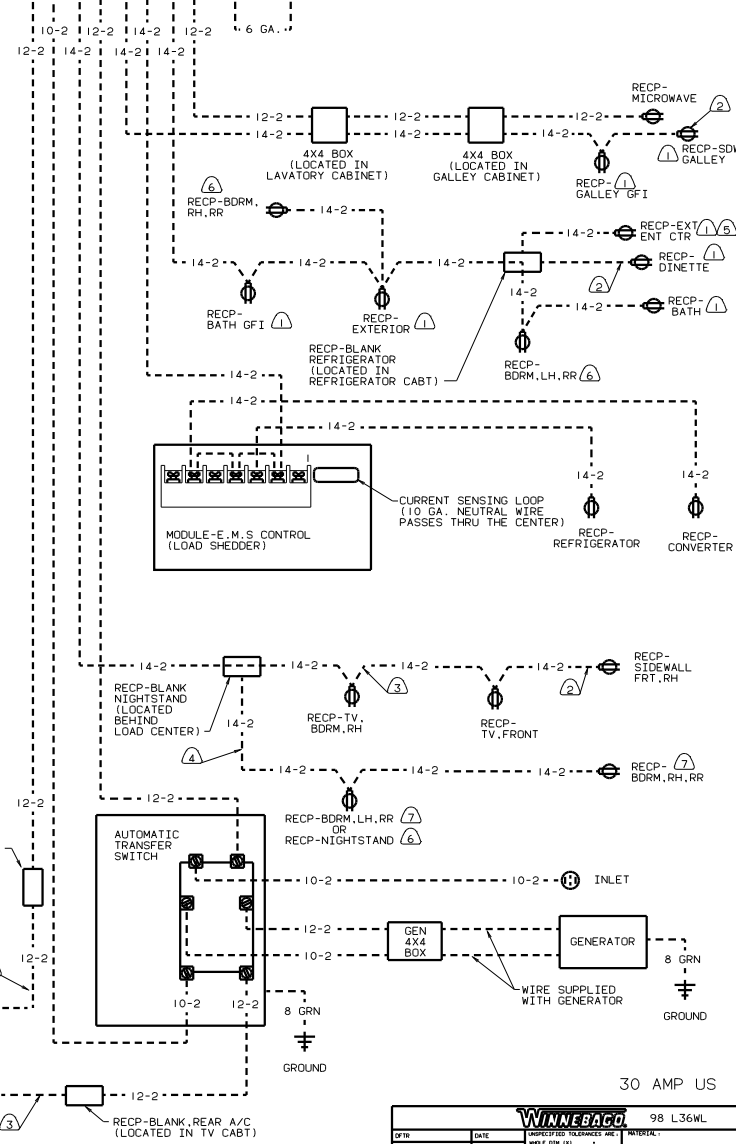
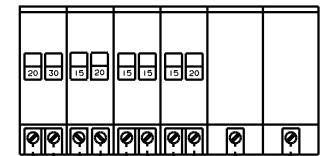
LOAD CENTER



- ⑤ WITH EXT ENT CTR.
- ④ WIRE ROUTED IN FLOOR.
- ③ WIRE ROUTED IN ROOF.
- ② WIRE ROUTED IN SIDEWALL.
- ⑦ WITH QUEEN BED ONLY.
- ① PROTECTED BY GFI RECP.
- ⑥ WITH TWIN BEDS ONLY.

50 AMP US

LOAD CENTER



30 AMP US

WINNEBAGO		98 L36WL
OPN	DATE	UNDESIGNED TOLERANCES ARE MATERIAL
CHG	DATE	WHOLE OR 1/2"
REV	DATE	ONE-PLACE (1/2")
REV	DATE	TWO-PLACE (1/2")
REV	DATE	THREE-PLACE (1/2")
REV	DATE	FOUR-PLACE (1/2")
REV	DATE	FIVE-PLACE (1/2")
REV	DATE	SIX-PLACE (1/2")
REV	DATE	SEVEN-PLACE (1/2")
REV	DATE	EIGHT-PLACE (1/2")
REV	DATE	NINE-PLACE (1/2")
REV	DATE	TEN-PLACE (1/2")
REV	DATE	ELEVEN-PLACE (1/2")
REV	DATE	TWELVE-PLACE (1/2")
REV	DATE	THIRTEEN-PLACE (1/2")
REV	DATE	FOURTEEN-PLACE (1/2")
REV	DATE	FIFTEEN-PLACE (1/2")
REV	DATE	SIXTEEN-PLACE (1/2")
REV	DATE	SEVENTEEN-PLACE (1/2")
REV	DATE	EIGHTEEN-PLACE (1/2")
REV	DATE	NINETEEN-PLACE (1/2")
REV	DATE	TWENTY-PLACE (1/2")
REV	DATE	TWENTY-ONE PLACE (1/2")
REV	DATE	TWENTY-TWO PLACE (1/2")
REV	DATE	TWENTY-THREE PLACE (1/2")
REV	DATE	TWENTY-FOUR PLACE (1/2")
REV	DATE	TWENTY-FIVE PLACE (1/2")
REV	DATE	TWENTY-SIX PLACE (1/2")
REV	DATE	TWENTY-SEVEN PLACE (1/2")
REV	DATE	TWENTY-EIGHT PLACE (1/2")
REV	DATE	TWENTY-NINE PLACE (1/2")
REV	DATE	THIRTY PLACE (1/2")

WIRING DIAGRAM-BODY 110V  
 SHEET 1 OF 2

