



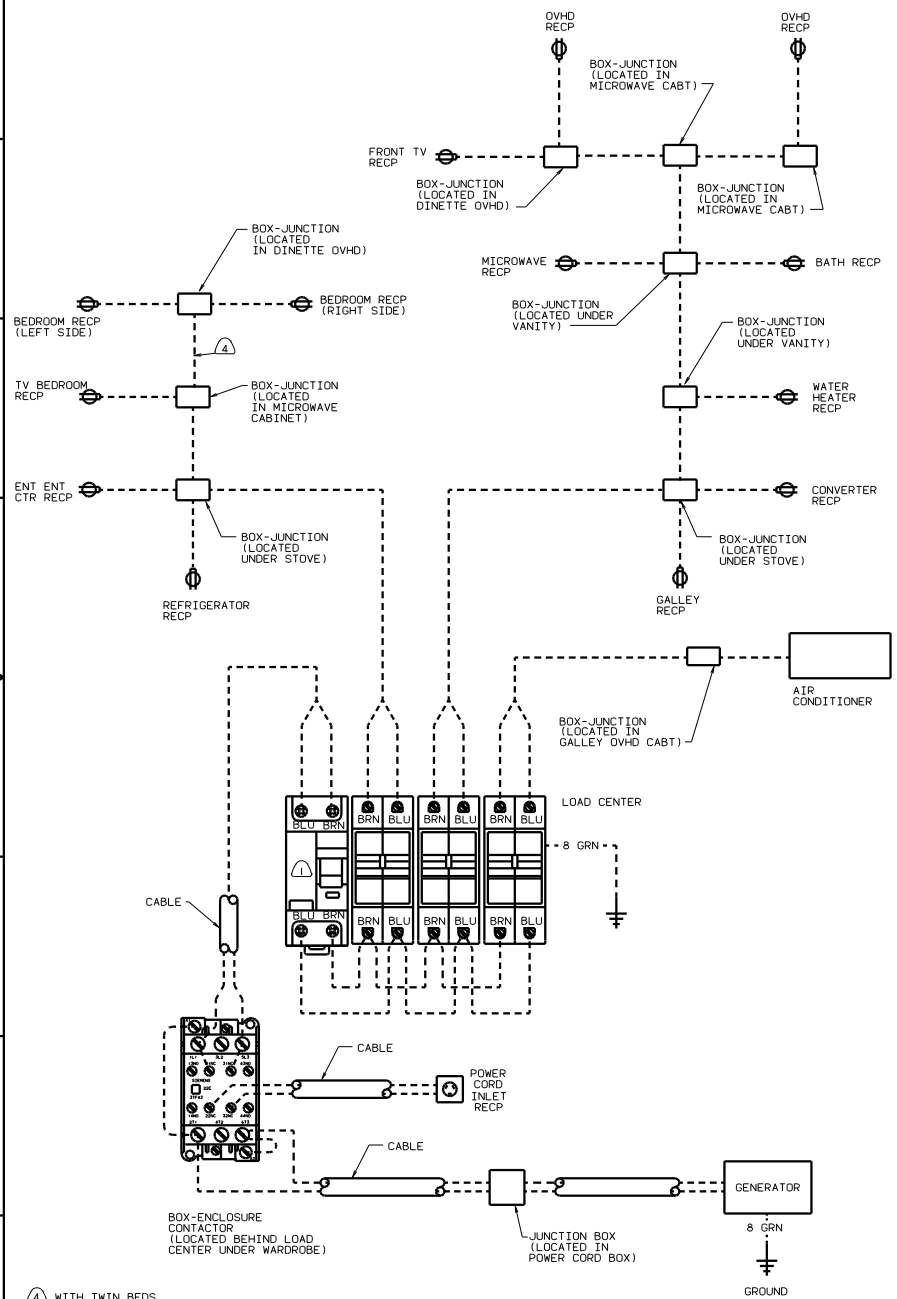
**DANGER**

**Danger of electrical shock, burns or death.** Always remove all power sources before attempting any repair, service or diagnostic work. Power can be present from shore power, generator, inverter or battery. All power sources must be disabled and secured before performing any service.



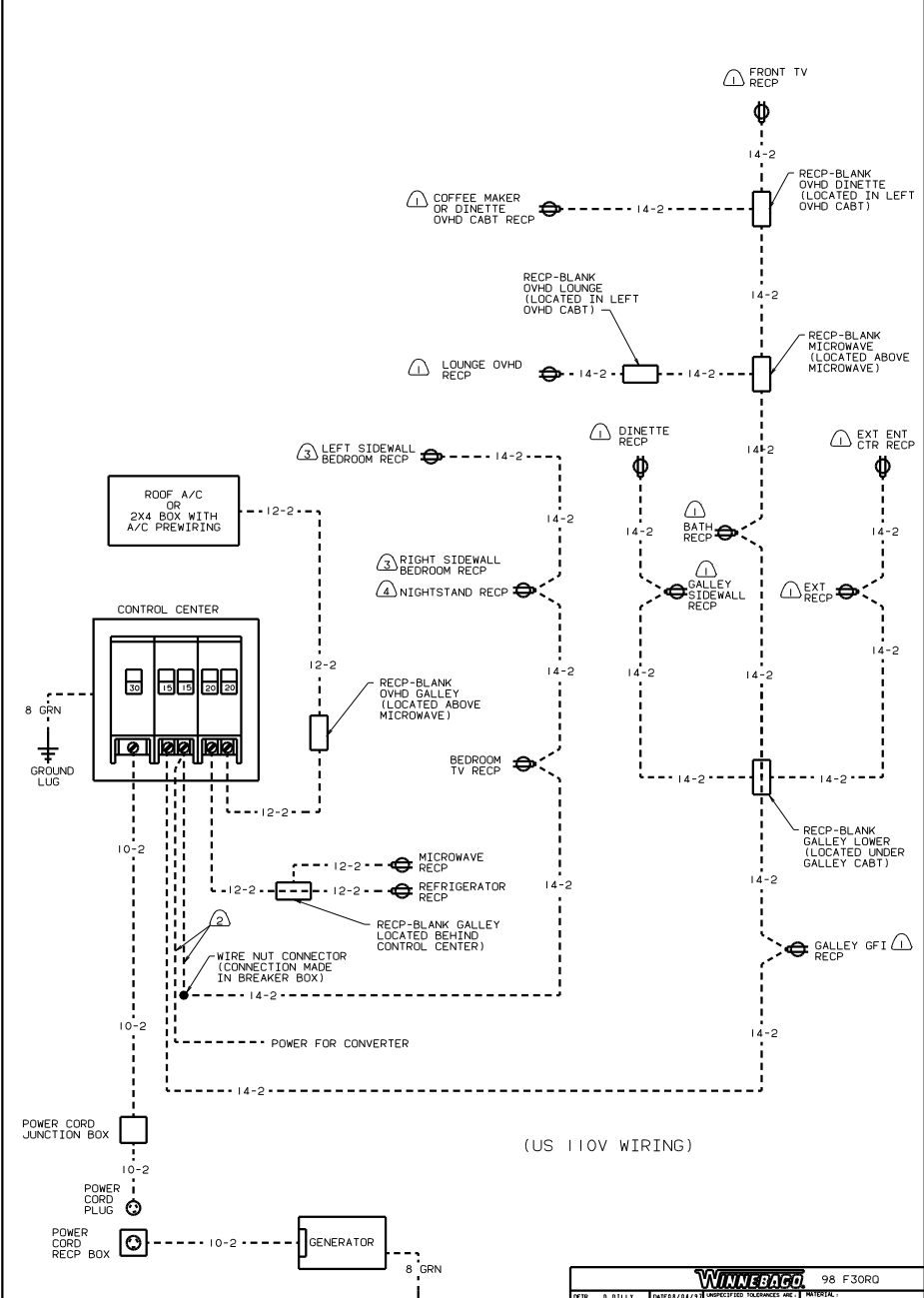
**CAUTION**

If you lack the skills, tools or equipment to perform diagnostic or repair work leave such work to an authorized Winnebago Industries dealer or other qualified shop.



- ④ WITH TWIN BEDS.
- ③ WITH QUEEN BED.
- ② LEAD SUPPLIED WITH CONVERTER.
- ① PROTECTED BY GROUND FAULT INTERRUPTER RECP.

(EUROPEAN 220V WIRING)



(US 110V WIRING)

|                                   |                                 |                                      |
|-----------------------------------|---------------------------------|--------------------------------------|
| WINNEBAGO                         |                                 | 98 F30RD                             |
| OPN: D. BILLY                     | DATE: 8/28/97                   | UNSPECIFIED TOLERANCES ARE MATERIAL. |
| CHK: J. WILLE                     | DATE: 8/28/97                   | WELD DIM: 1/16"                      |
| APP: M. WILKINS                   | DATE: 8/28/97                   | ONE-PLACE: 1/8", 1/16"               |
| D/E: D. HESTER                    | DATE: 8/28/97                   | ANGLE                                |
| COMP: P. CORWELL                  | DATE: 8/28/97                   | INDUS. WELD PRODUCTION               |
| LAUNCH: -----                     | TITLE: WIRING DIAGRAM-BODY 110V |                                      |
| REV: -----                        | SCALE: NONE                     | DO NOT SCALE DIMENSIONS              |
| ALL DIMENSIONS ARE IN MILLIMETERS | SHEET 1 OF 1                    | FIG. NO. 128171                      |