



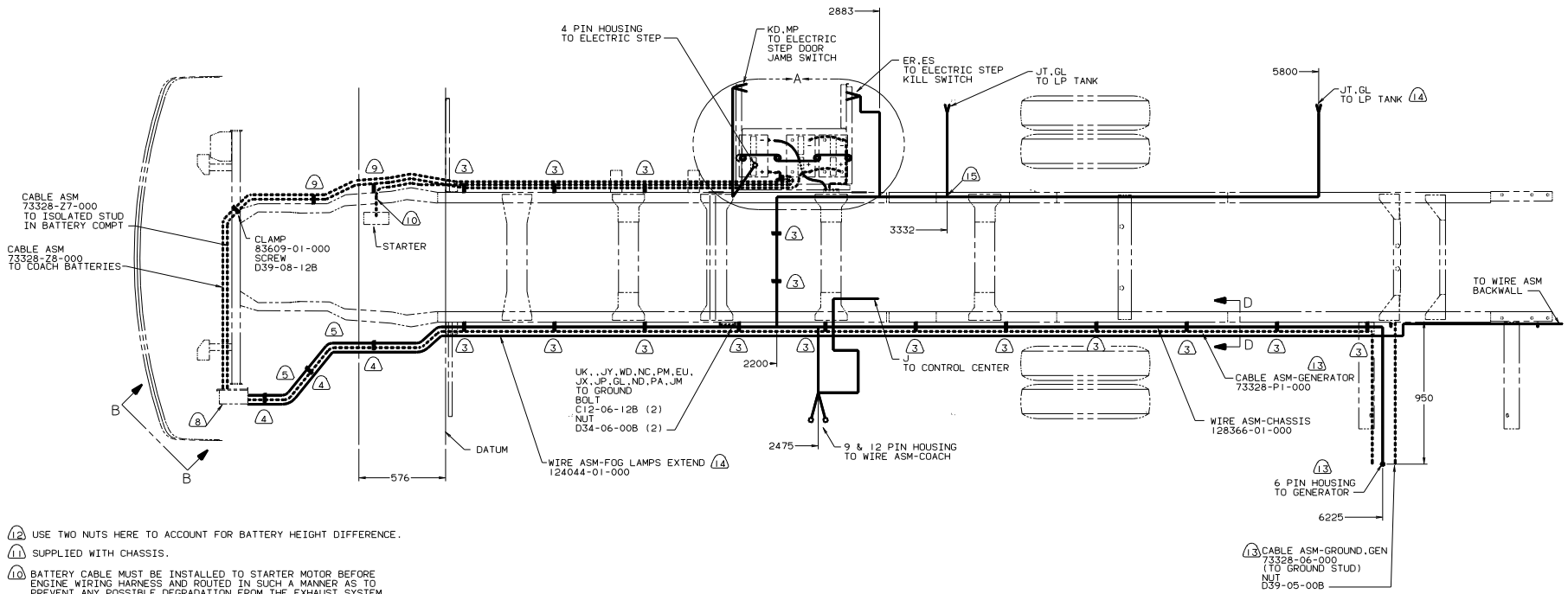
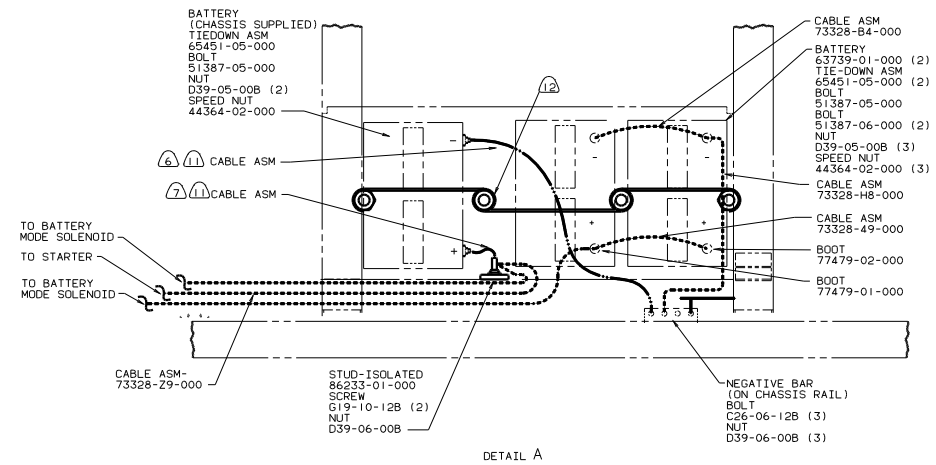
DANGER

Danger of electrical shock, burns or death. Always remove all power sources before attempting any repair, service or diagnostic work. Power can be present from shore power, generator, inverter or battery. All power sources must be disabled and secured before performing any service.



CAUTION

If you lack the skills, tools or equipment to perform diagnostic or repair work leave such work to an authorized Winnebago Industries dealer or other qualified shop.



- (12) USE TWO NUTS HERE TO ACCOUNT FOR BATTERY HEIGHT DIFFERENCE.
- (11) SUPPLIED WITH CHASSIS.
- (10) BATTERY CABLE MUST BE INSTALLED TO STARTER MOTOR BEFORE ENGINE WIRING HARNESS AND ROUTED IN SUCH A MANNER AS TO PREVENT ANY POSSIBLE DEGRADATION FROM THE EXHAUST SYSTEM.
- (9) WIRE TIE 116673-01-000.
- (8) SEE WIRING INSTALLATION FRONT END FOR ADDITIONAL INFORMATION.
- (7) TRIM CABLE TO 400MM. ADD TERMINAL 8348-01-000.
- (6) TRIM CABLE TO 1500MM. ADD TERMINAL 8348-01-000.
- (5) COVER WITH CONDUIT 41953-09,-10,-11-000 AS REQUIRED.
- (4) CLAMP 83610-01-000, SCREW G39-08-12B.
- (3) USE WIRE TIES 8343-01-000 FASTEN TO FLOOR FRAME TUBE AT LEAST ONCE EVERY 600MM.

- (18) COIL EXCESS WIRE ON US UNITS AND TIE TO CHASSIS RAIL.
- (14) O3T EUROPEAN EXPORT PREP PACKAGE.
- (13) USE WITH GENERATOR ONLY.

2. SECURE CONDUIT 41953-01-000 OVER ALL WIRES IN CONTACT WITH SHARP EDGES.

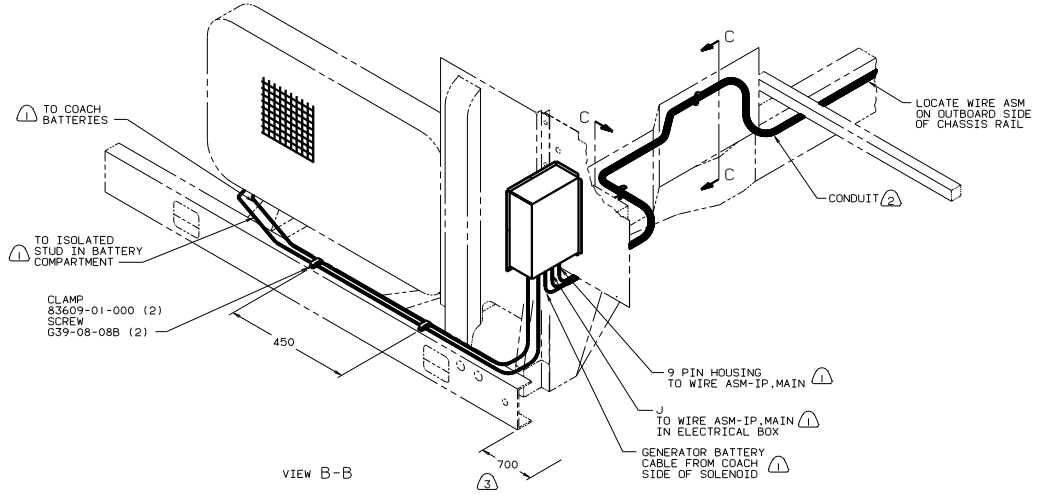
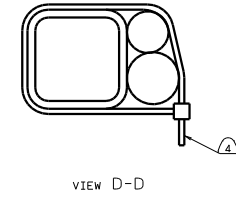
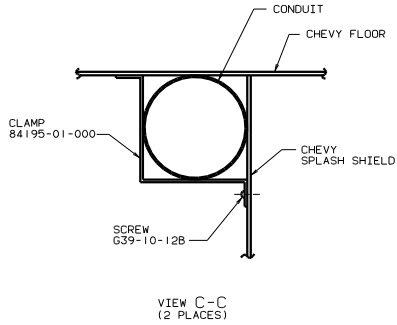
1. LEGEND: — WINNEBAGO; CABLE; — CHASSIS SUPPLIED.

FOR ELECTRICAL TORQUE SPECIFICATIONS SEE DWG NO. 128783-01-000

WINNEBAGO 98 F30RD

OF IN	DATE	UNSPECIFIED TOLERANCES ARE	MATERIAL
OMP	DATE	WHOLE DIM (1)	
MP	DATE	ONE-PLACE (1X.1)	
MP	DATE	TWO-PLACE (1X.00)	
MP	DATE	ANGLE	
COMP	DATE	THIRD ANGLE PRACTICE	

LANE# - - - - - TITLE: WIRING INSTL-CHASSIS
 DIA # SCALE: NONE TO THE SCALE SHOWN
 ALL DIMENSIONS ARE IN MILLIMETERS SHEET 1 OF 2 REF: 122307 127940



- NOTES:
- ⑤ CHASSIS SUPPLIED.
 - ④ CUT OFF EXCESS END OF WIRE TIE.
 - ③ LAY BATTERY CABLES TO THIS DIMENSION FROM END OF CHASSIS CROSSMEMBER TO START INSTALLATION.
 - ② COVER WITH CONDUIT 41953-09,-10,-11-000 AS REQUIRED.
 - ① SEE WIRING INSTL-FRONT END FOR ADDITIONAL INFORMATION.

FOR ELECTRICAL TORQUE SPECIFICATIONS SEE DWG NO. 128783-01-000

TITLE: WIRING INSTL-CHASSIS		98 F30RQ	
30 101 SCALE 200%	116	116	127940
SHEET 2 OF 2	1.E		