



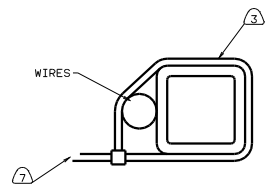
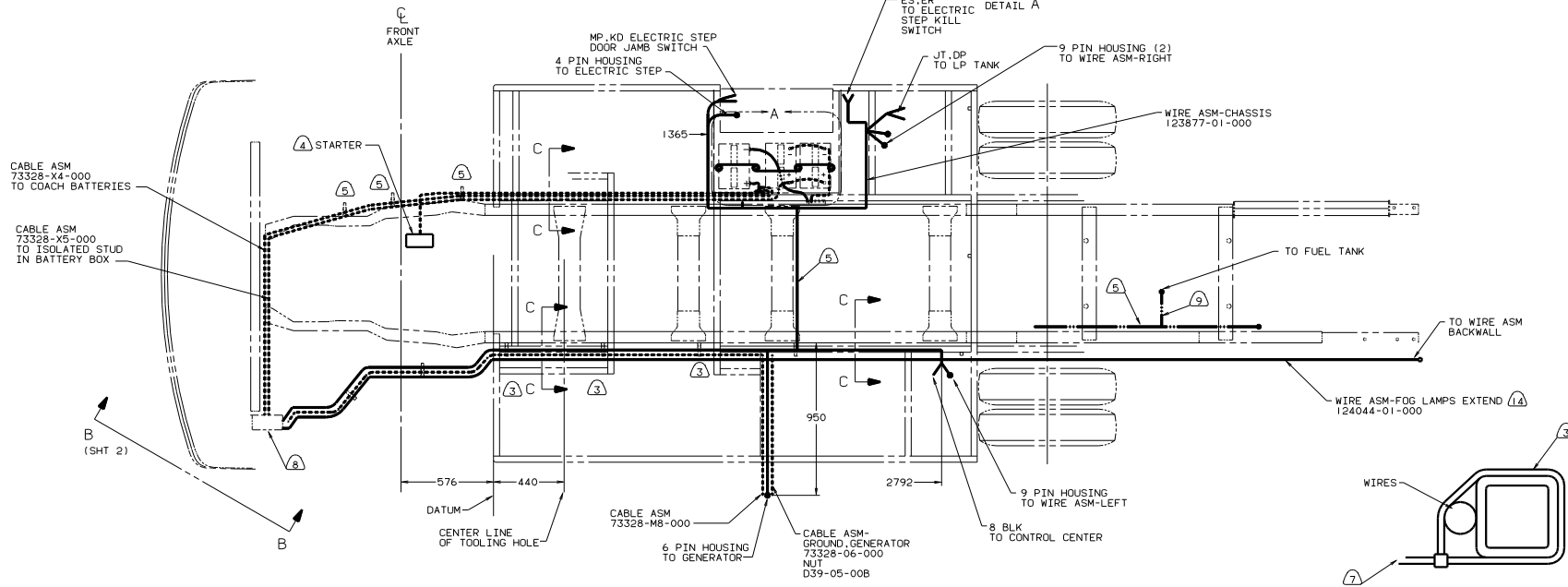
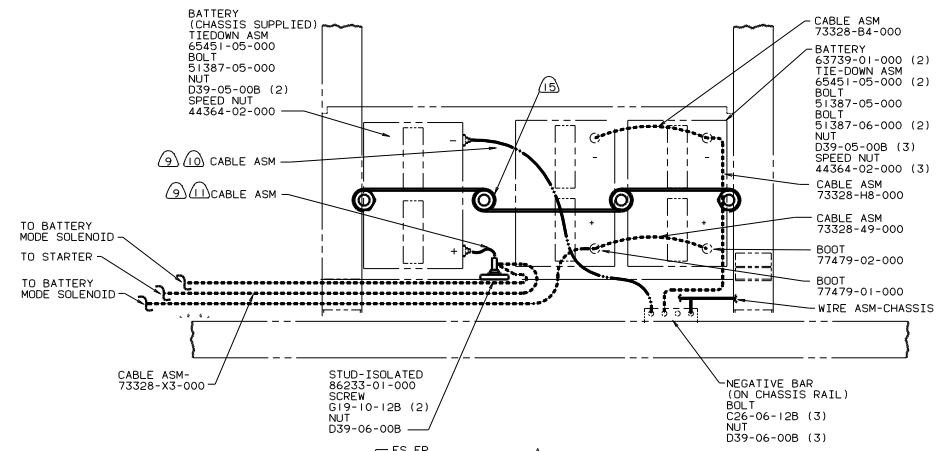
DANGER

Danger of electrical shock, burns or death. Always remove all power sources before attempting any repair, service or diagnostic work. Power can be present from shore power, generator, inverter or battery. All power sources must be disabled and secured before performing any service.



CAUTION

If you lack the skills, tools or equipment to perform diagnostic or repair work leave such work to an authorized Winnebago Industries dealer or other qualified shop.



- (11) TRIM CABLE TO 400 MM. ADD TERMINAL 8348-01-000.
 - (10) TRIM CABLE TO 600 MM. ADD TERMINAL 8348-02-000.
 - (9) SUPPLIED WITH CHASSIS.
 - (8) SEE WIRING INSTL-FRONT END FOR ADDITIONAL INFORMATION.
 - (7) TRIM OFF EXCESS WIRE TIE.
 - (6) COVER EDGE OF HOLE THROUGH BATTERY BOX WITH TRIM-VINYL 72368-02-000.
 - (5) WIRE TIE 116673-01-000. FASTEN TO CROSSMEMBER OR CHASSIS RAIL USING EXISTING HOLES. ONCE EVERY 600MM.
 - (4) BATTERY CABLE MUST BE INSTALLED TO STARTER MOTOR BEFORE ENGINE WIRING HARNESS AND ROUTED IN SUCH A MANNER AS TO PREVENT ANY POSSIBLE DEGRADATION FROM EXHAUST SYSTEM.
 - (3) WIRE TIE 8343-02-000. FASTEN TO FLOOR ASM FRAME TUBE AT LEAST ONCE EVERY 600MM.
2. SECURE CONDUIT 41953-01-000, 41953-02-000 AND 41953-03-000 OVER ALL WIRES IN CONTACT WITH SHARP EDGES.
1. LEGEND: — WINNEBAGO, CABLE, — CHASSIS SUPPLIED.

- (14) O3T EUROPEAN EXPORT PREP PACKAGE.
- (13) ADD 600 SLEEVING 87225-01-000 AND 2200 CONDUIT 41953-09-000.
- (12) USE TWO NUTS HERE TO ACCOUNT FOR BATTERY HEIGHT DIFFERENCE.

FOR ELECTRICAL TORQUE SPECIFICATIONS SEE DWS NO. 128783-01-000

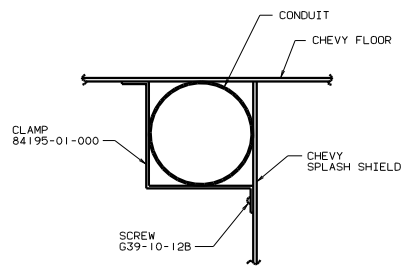
WINNEBAGO 98 F25RC

DATE	UNREVISIONED TOLERANCES ARE:	MATERIAL
DATE	WHOLE DIM (1:1)	
DATE	ONE-PLACE (1:1)	
DATE	TWO-PLACE (1:1)	
DATE	THREE-PLACE (1:1)	
DATE	THREE-PLACE (1:1)	
DATE	THREE-PLACE (1:1)	
DATE	THREE-PLACE (1:1)	

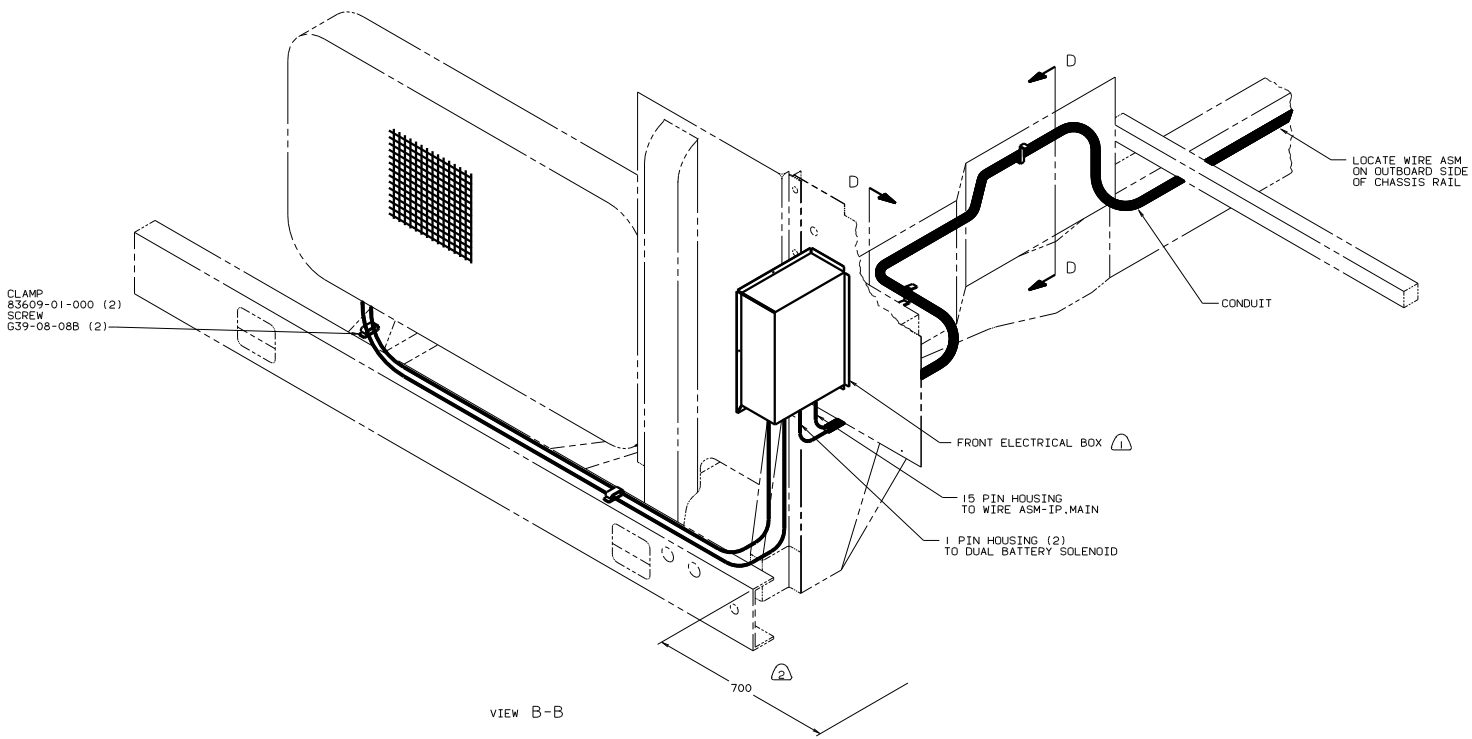
WINNING INSTL-CHASSIS

127934

REF: 123875-B 1



VIEW D-D
(2 PLCS)



VIEW B-B

CLAMP
83609-01-000 (2)
SCREW
G39-08-08B (2)

FRONT ELECTRICAL BOX ⚠

15 PIN HOUSING
TO WIRE ASM-IP, MAIN

1 PIN HOUSING (2)
TO DUAL BATTERY SOLENOID

LOCATE WIRE ASM
ON OUTBOARD SIDE
OF CHASSIS RAIL

CONDUIT

- Ⓜ LAY BATTERY AND GENERATOR CABLES TO THIS DIMENSION TO START INSTALLATION.
- ⚠ SEE WIRING INSTL-FRONT END FOR ADDITIONAL INFORMATION.

NOTES:

FOR ELECTRICAL
TORQUE
SPECIFICATIONS
SEE DWG NO.
128783-01-000

98 F25RC

TITLE: WIRING INSTL-CHASSIS
SHEET 2 OF 2