



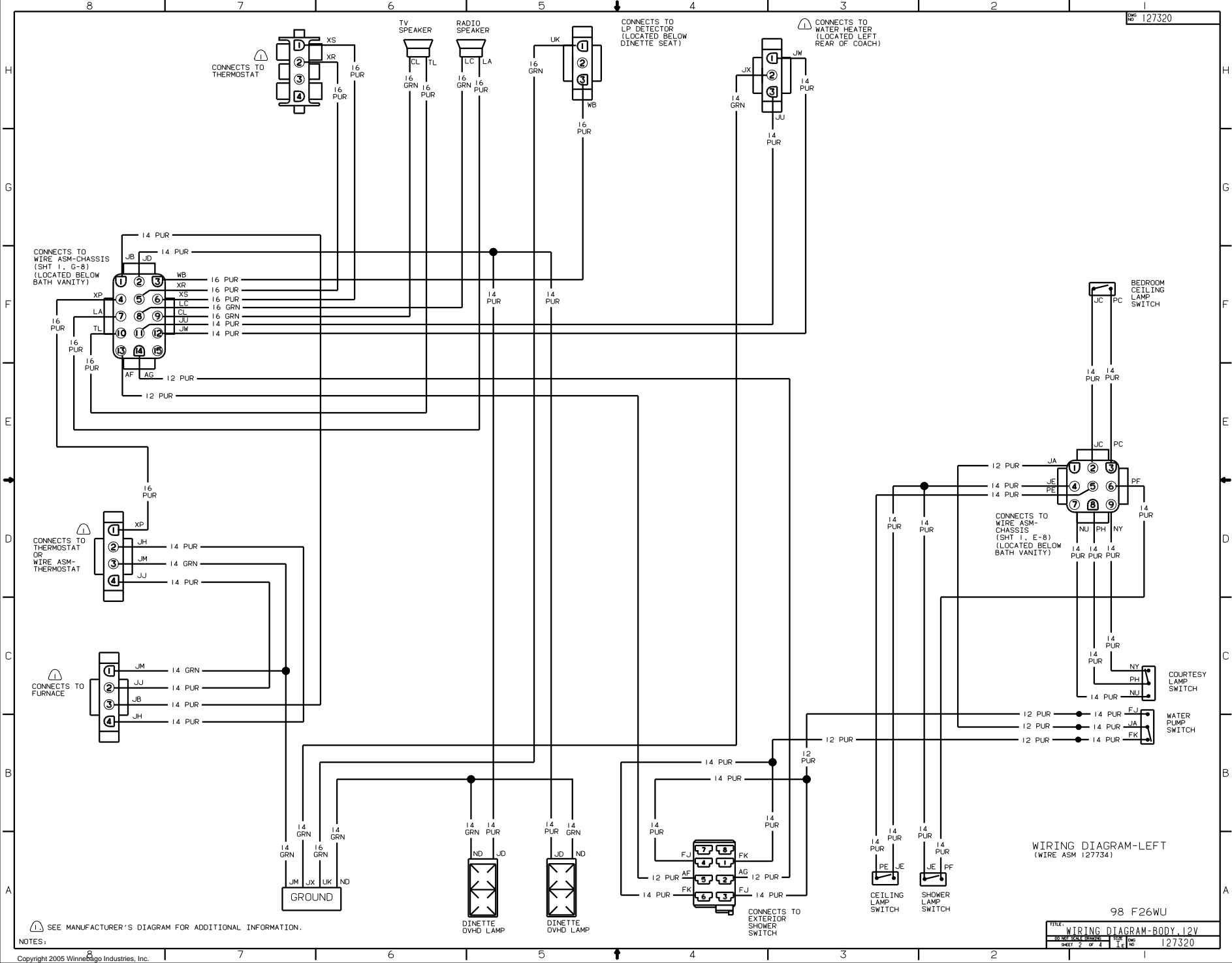
DANGER

Danger of electrical shock, burns or death. Always remove all power sources before attempting any repair, service or diagnostic work. Power can be present from shore power, generator, inverter or battery. All power sources must be disabled and secured before performing any service.



CAUTION

If you lack the skills, tools or equipment to perform diagnostic or repair work leave such work to an authorized Winnebago Industries dealer or other qualified shop.

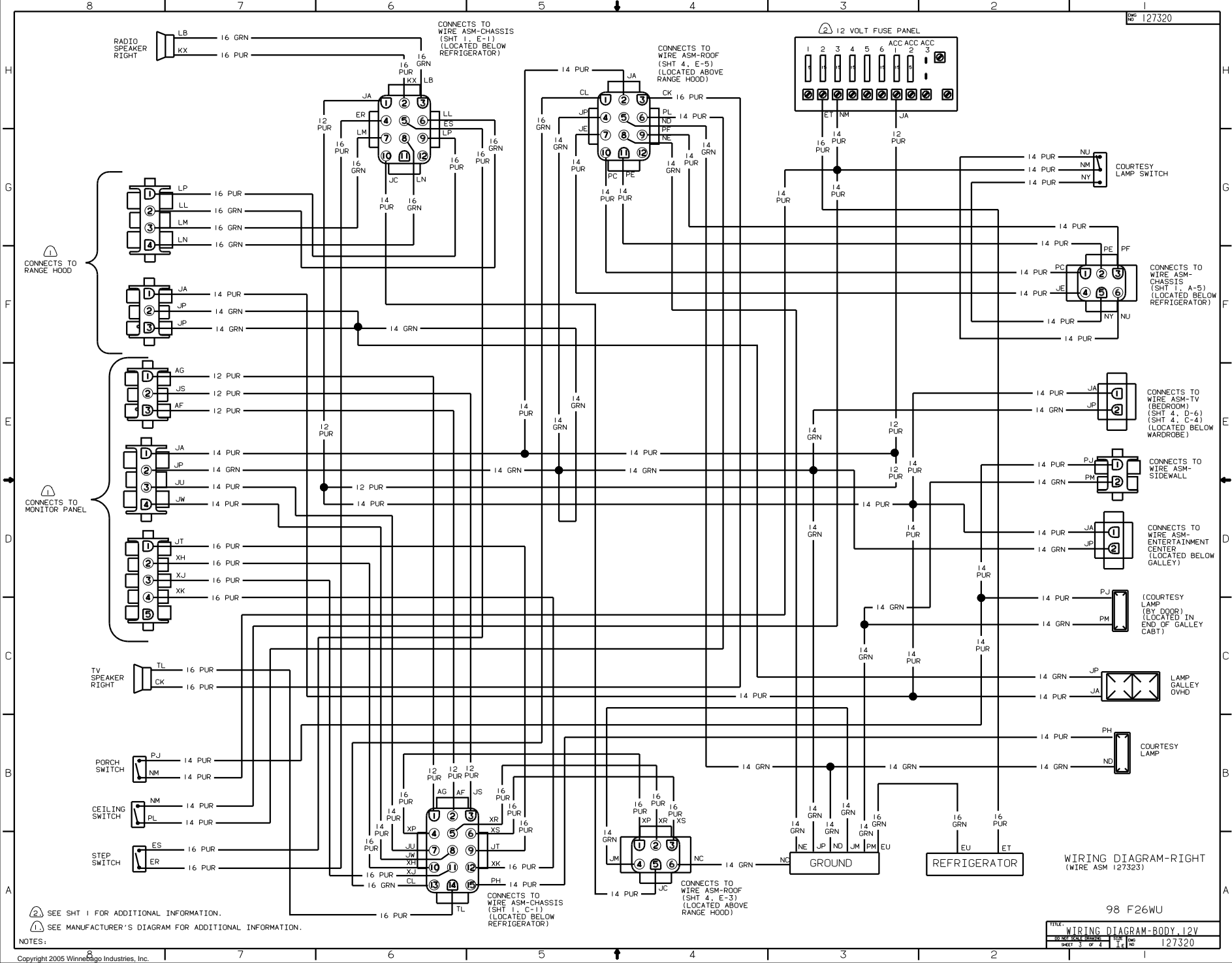


WIRING DIAGRAM-LEFT
(WIRE ASM 127734)

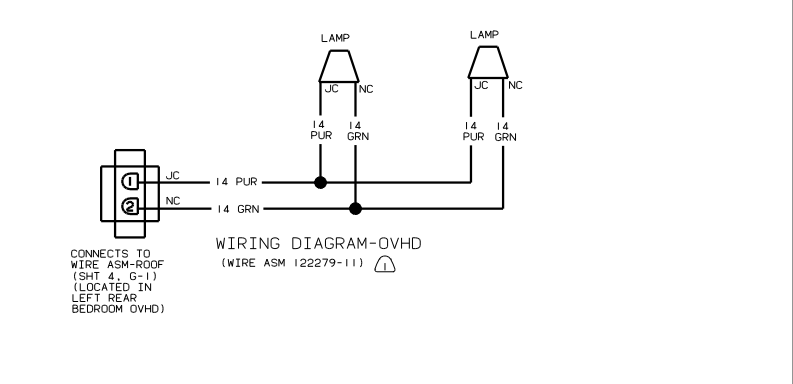
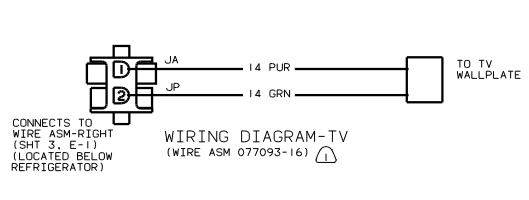
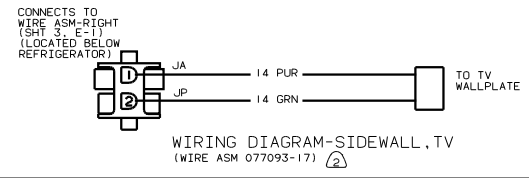
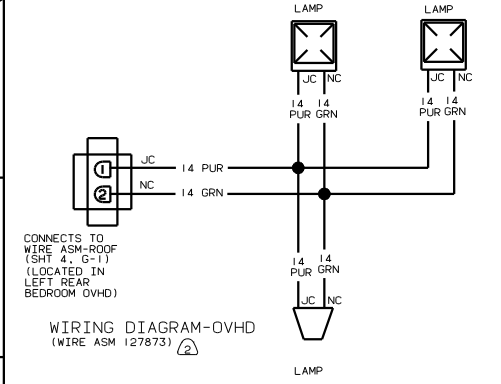
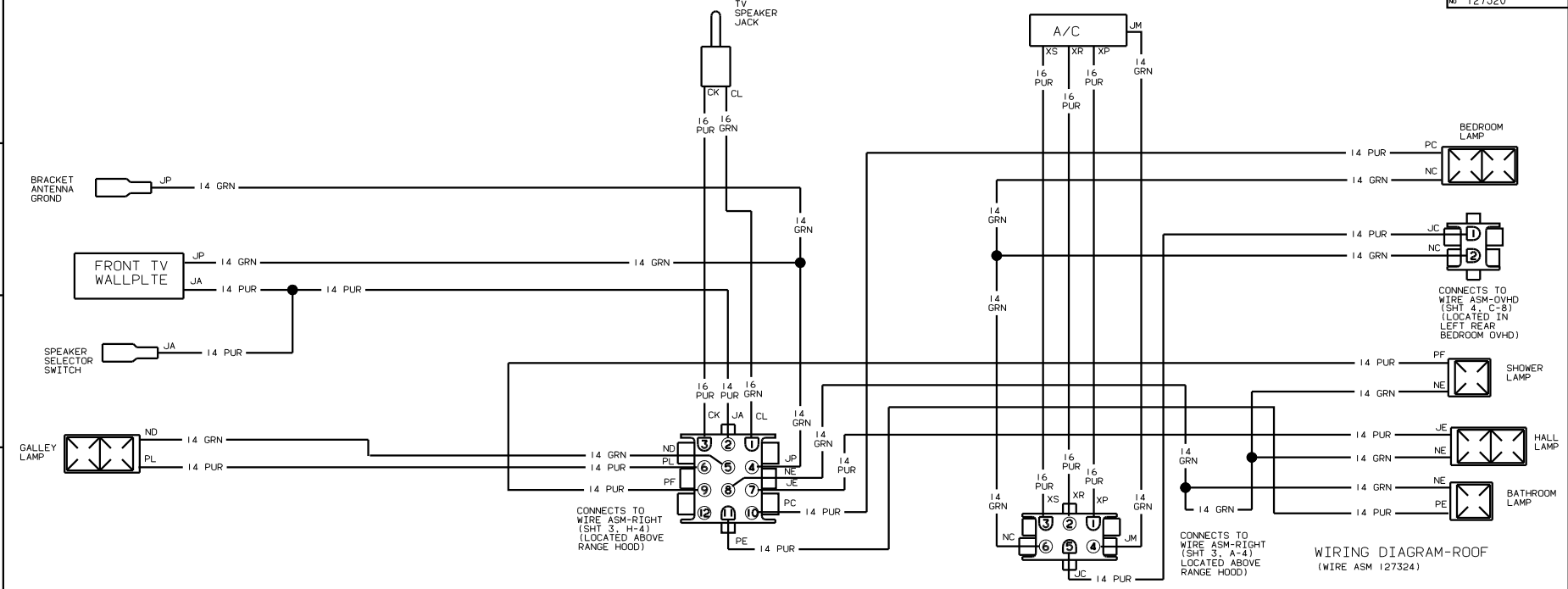
98 F26WU

TITLE		WIRING DIAGRAM-BODY 12V	
DO NOT SCALE DRAWING	DATE	1.6	
SHEET 2 OF 4	FIG. NO.		127320

NOTES:
 1. SEE MANUFACTURER'S DIAGRAM FOR ADDITIONAL INFORMATION.



② SEE SHT 1 FOR ADDITIONAL INFORMATION.
 ① SEE MANUFACTURER'S DIAGRAM FOR ADDITIONAL INFORMATION.



(2) WITH SIDE-QUEEN BED.
 (1) WITH BED-TWINS.