



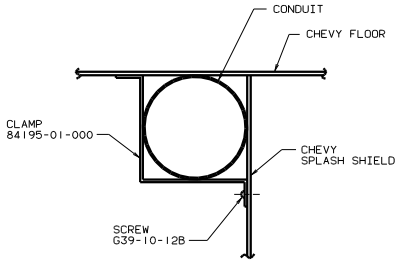
DANGER

Danger of electrical shock, burns or death. Always remove all power sources before attempting any repair, service or diagnostic work. Power can be present from shore power, generator, inverter or battery. All power sources must be disabled and secured before performing any service.

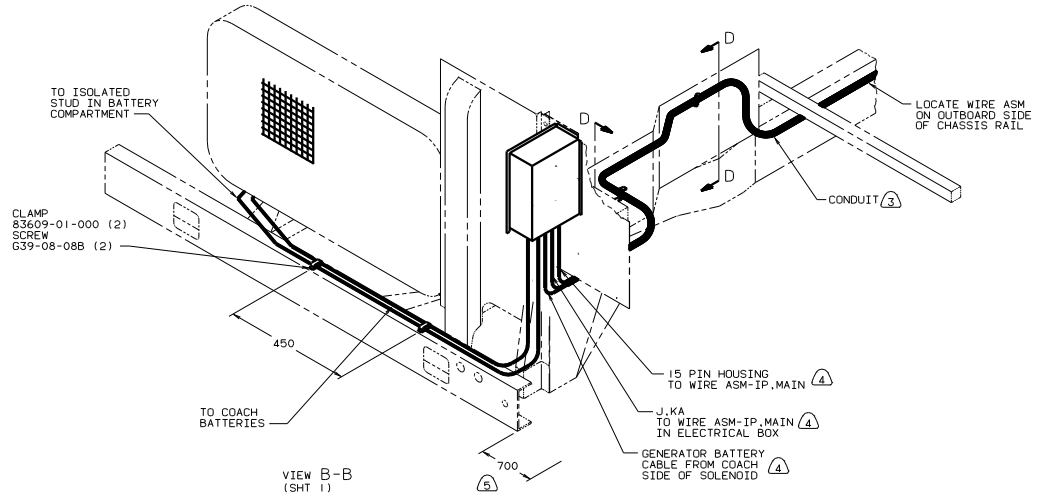


CAUTION

If you lack the skills, tools or equipment to perform diagnostic or repair work leave such work to an authorized Winnebago Industries dealer or other qualified shop.



VIEW D-D



- ⑤ LAY BATTERY AND GENERATOR CABLES TO THIS DIMENSION FROM END OF CHASSIS CROSSMEMBER TO START INSTALLATION.
- ④ SEE WIRING INSTL-FRONT END FOR ADDITIONAL INFORMATION.
- ③ COVER WITH CONDUIT 41953-09,-10,-11-000 AS REQUIRED.
2. SECURE CONDUIT 41953-01-000, 41953-02-000 AND 41953-03-000 OVER ALL WIRES IN CONTACT WITH SHARP EDGES.
1. LEGEND: — WINNEBAGO,CABLE, — CHASSIS SUPPLIED.

FOR ELECTRICAL TORQUE SPECIFICATIONS SEE DWG NO. 128783-01-000

98 F26WU

TITLE: WIRING INSTL-CHASSIS	
NO. OF SHEETS	TOTAL SHEETS
2 OF 2	2
DWG NO. 127319	