



DANGER

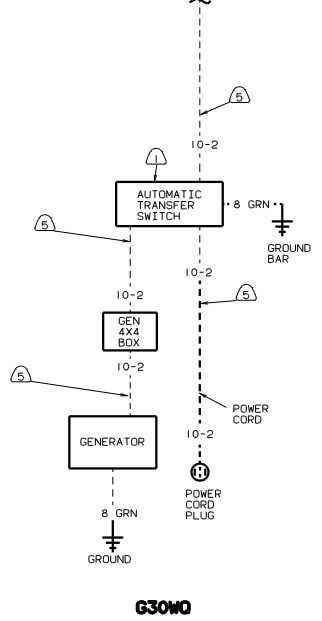
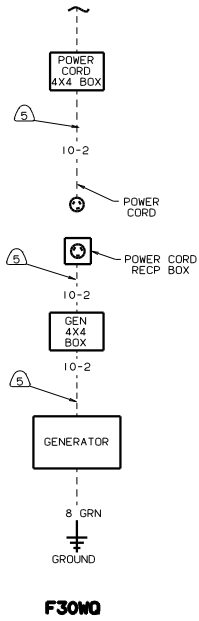
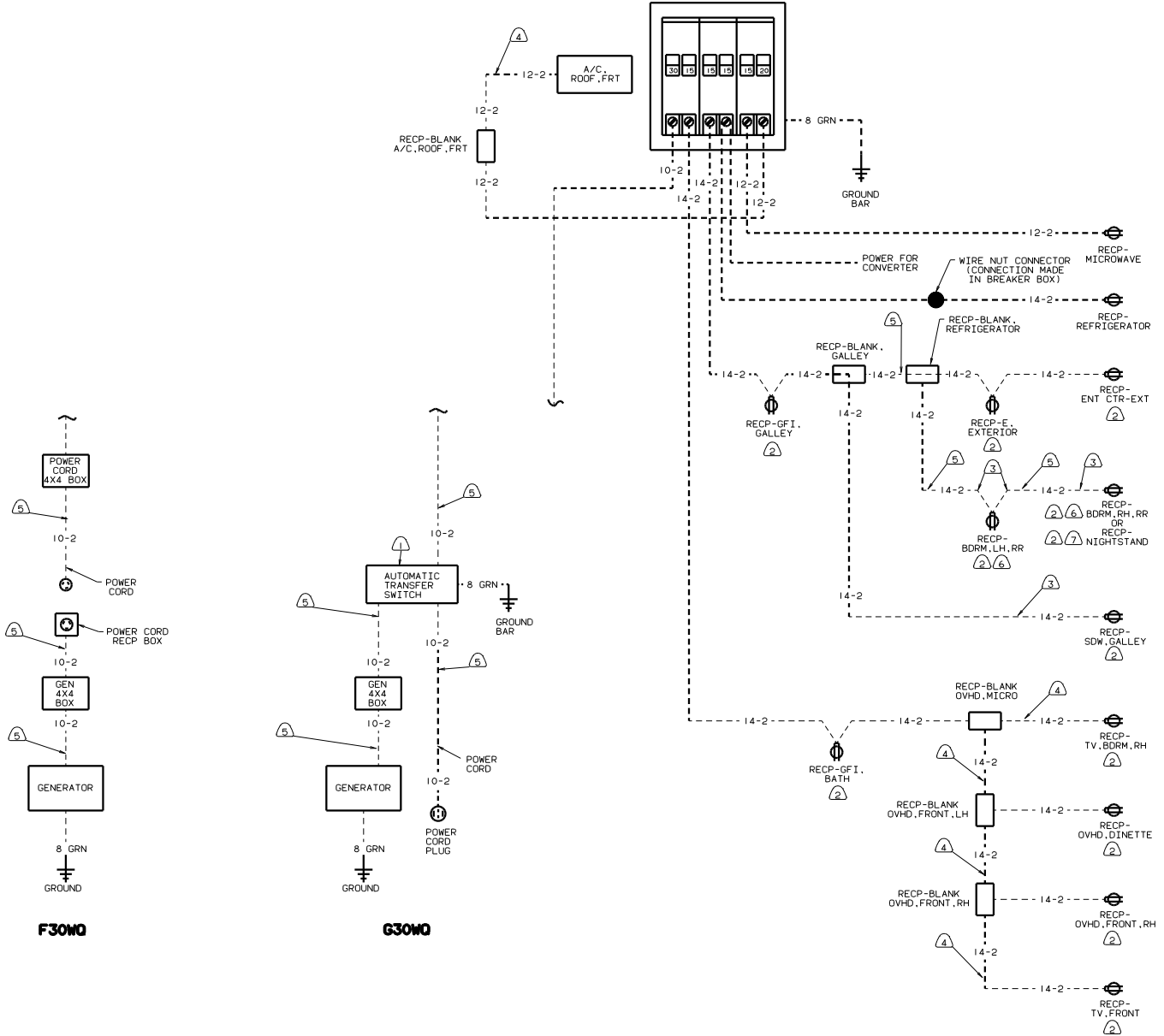
Danger of electrical shock, burns or death. Always remove all power sources before attempting any repair, service or diagnostic work. Power can be present from shore power, generator, inverter or battery. All power sources must be disabled and secured before performing any service.



CAUTION

If you lack the skills, tools or equipment to perform diagnostic or repair work leave such work to an authorized Winnebago Industries dealer or other qualified shop.

CONTROL CENTER
 BREAKER PANEL

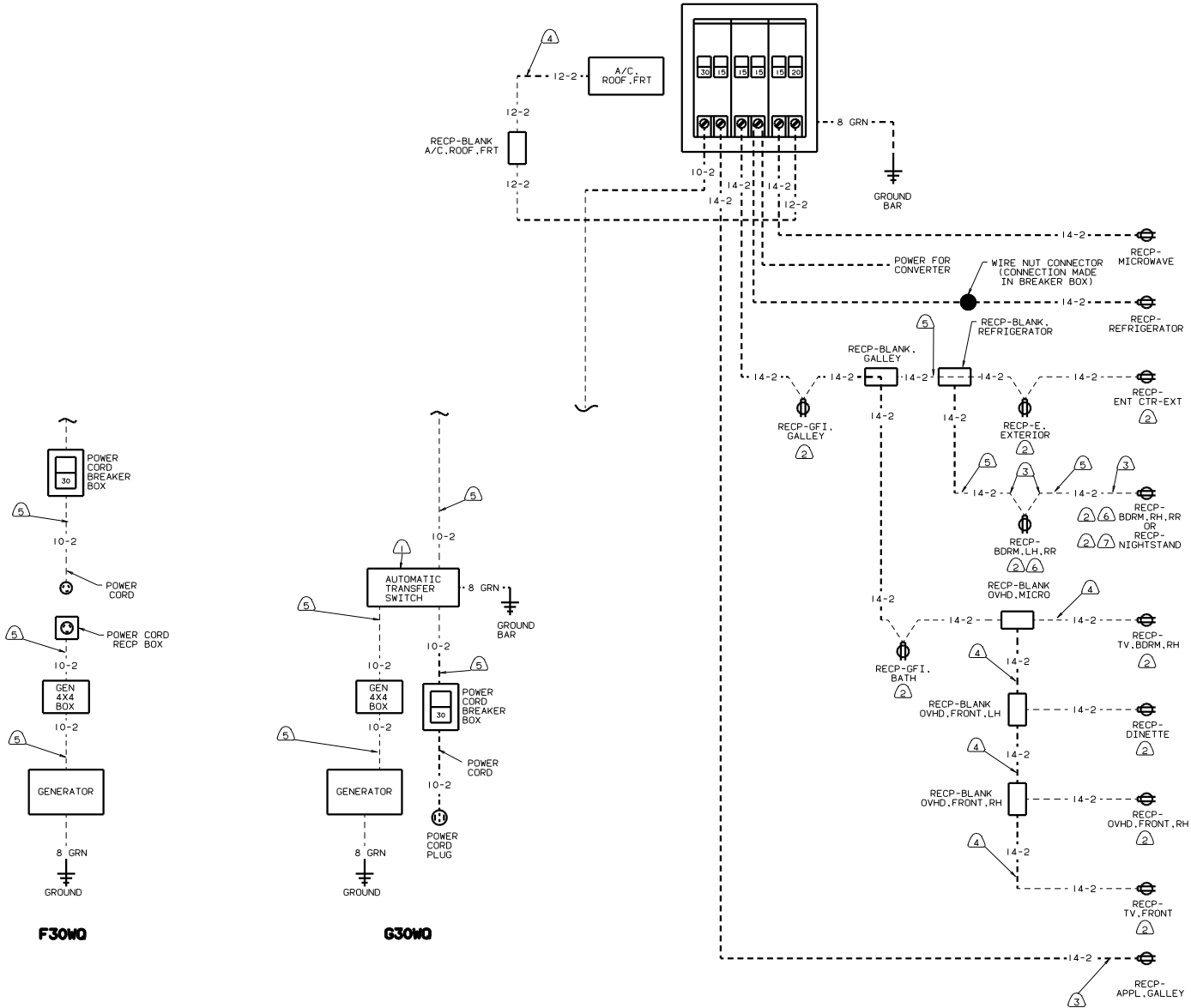


- ② USED WITH TWIN BED
- ③ USED WITH QUEEN BED
- ④ WIRE ROUTED BELOW MAIN FLOOR
- ⑤ WIRE ROUTED IN ROOF
- ⑥ WIRE ROUTED IN SIDEWALL
- ⑦ PROTECTED BY GROUND FAULT INTERRUPTER RECP.
- ⑧ SEE MANUFACTURER'S WIRING DIAGRAM FOR ADDITIONAL INFORMATION

(US 30A 110V)

WINNEBAGO		98 F&G30W0	
OF IN	DATE	UNSPECIFIED TOLERANCES ARE	MATERIAL
CHP	DATE	WHOLE OR 1/2	
W/E	DATE	ONE-PLACE (R. 21)	
D/E	DATE	TWO-PLACE (R. 20)	
DATE	DATE	ANGLE	
DATE	DATE	TRUSS W/ALL	
DATE	DATE	PRODUCTION	
LAYOUT		TITLE	
REV #	SCALE	NOTE	DO NOT SCALE DIMENSIONS
SHEET 1 OF 2		127139	

CONTROL CENTER
BREAKER PANEL



- ⑦ USED WITH TWIN BED
- ⑥ USED WITH QUEEN BED
- ⑤ WIRE ROUTED BELOW MAIN FLOOR
- ④ WIRE ROUTED IN ROOF
- ③ WIRE ROUTED IN SIDEWALL
- ② PROTECTED BY GROUND FAULT INTERRUPTER RECP.
- ① SEE MANUFACTURER'S WIRING DIAGRAM FOR ADDITIONAL INFORMATION

TITLE		98 F&G30WD (CAN 30A 110V)	
WIRING DIAGRAM-BODY			
30 NO SCALE DRAWING	REV	DATE	127139
SHEET 2 OF 2	1 E		