



**DANGER**

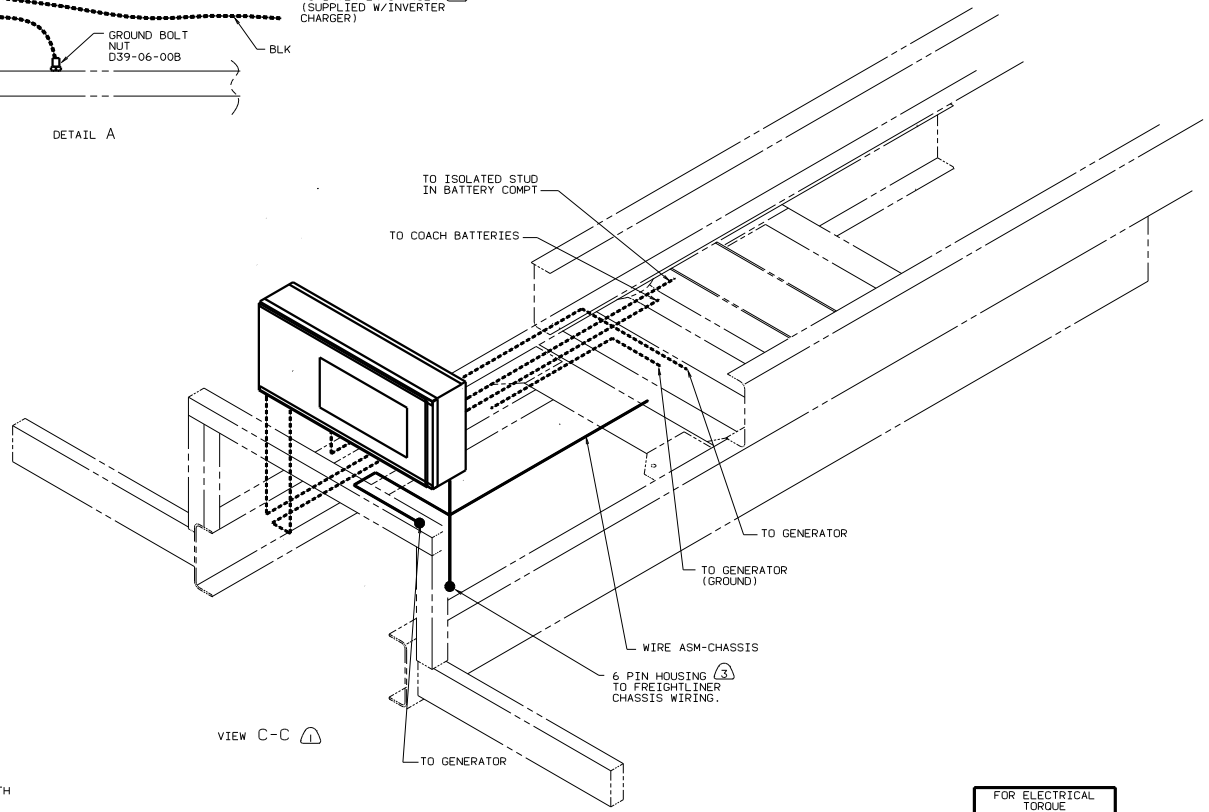
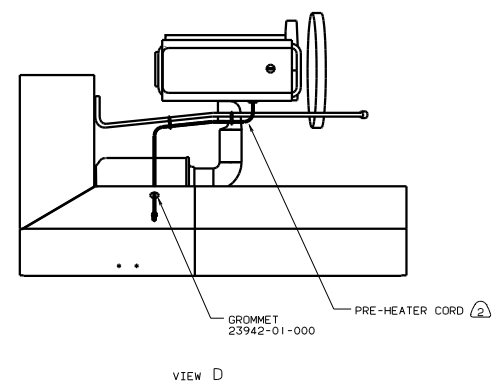
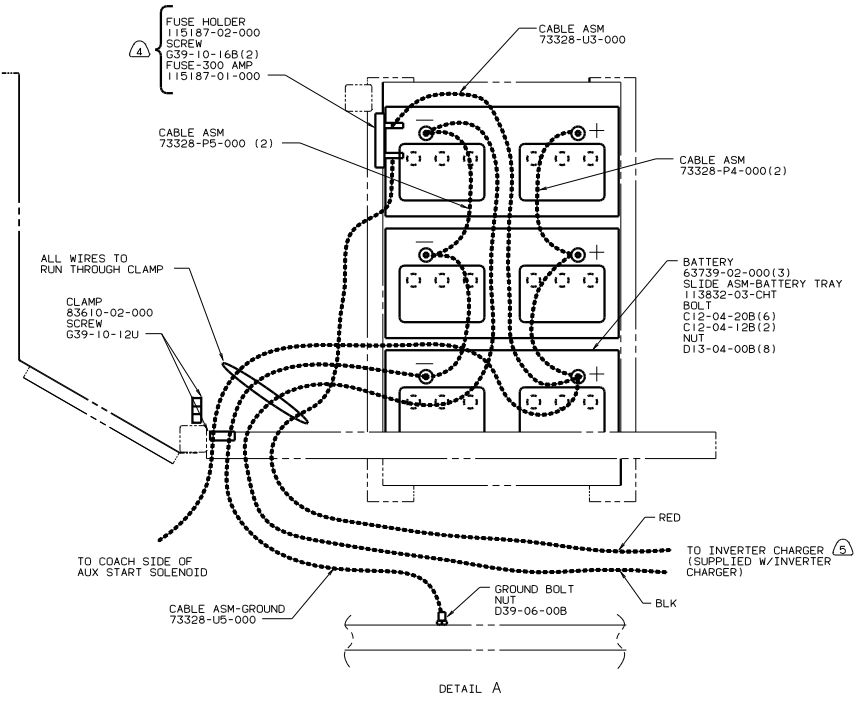
**Danger of electrical shock, burns or death.** Always remove all power sources before attempting any repair, service or diagnostic work. Power can be present from shore power, generator, inverter or battery. All power sources must be disabled and secured before performing any service.



**CAUTION**

If you lack the skills, tools or equipment to perform diagnostic or repair work leave such work to an authorized Winnebago Industries dealer or other qualified shop.





- NOTES:
- (5) SEE WIRING INSTL-BODY FOR ADDITIONAL INFORMATION.
  - (4) LOCATE ON FLOOR SUPPORT FRAME.
  - (3) REMOVE 6 POSITION WEATHER PACK HOUSING SUPPLIED W/CHASSIS AND SEND TO WIRE PREP.
  - (2) SECURE CORD AWAY FROM ALL MOVING PARTS AND EXHAUST WITH TIE-WIRE 93147-01-000 AS REQUIRED.
  - (1) SEE WIRING INSTL-FRONT END FOR ADDITIONAL INFORMATION.

FOR ELECTRICAL TORQUE SPECIFICATIONS SEE DWG NO 128783-01-000

TITLE: WIRING INSTL-CHASSIS	
NO. OF SCALE COPIES	REV
SHEET 2 OF 2	1 E
DWG NO 127114	

98 Q37WP