



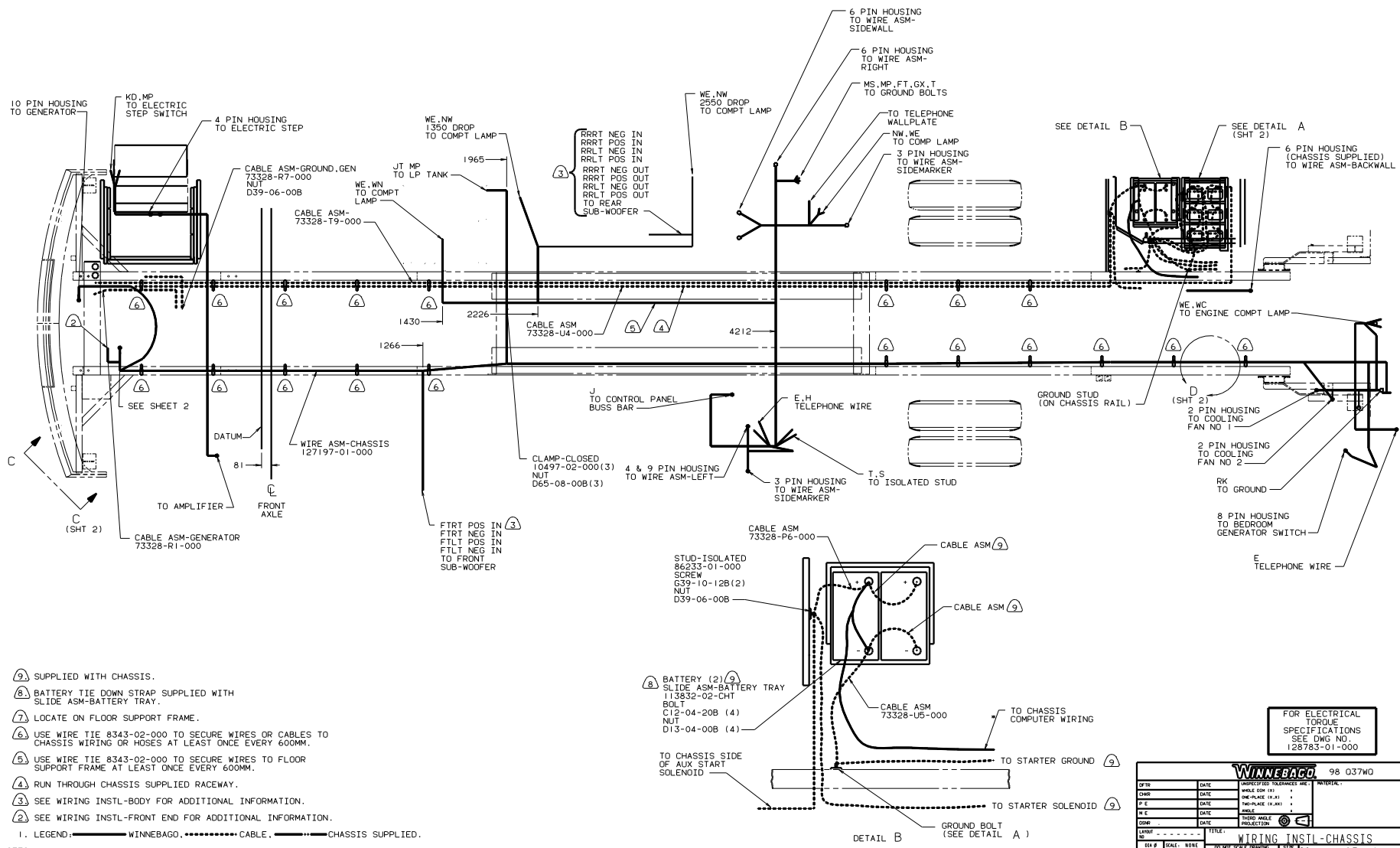
DANGER

Danger of electrical shock, burns or death. Always remove all power sources before attempting any repair, service or diagnostic work. Power can be present from shore power, generator, inverter or battery. All power sources must be disabled and secured before performing any service.



CAUTION

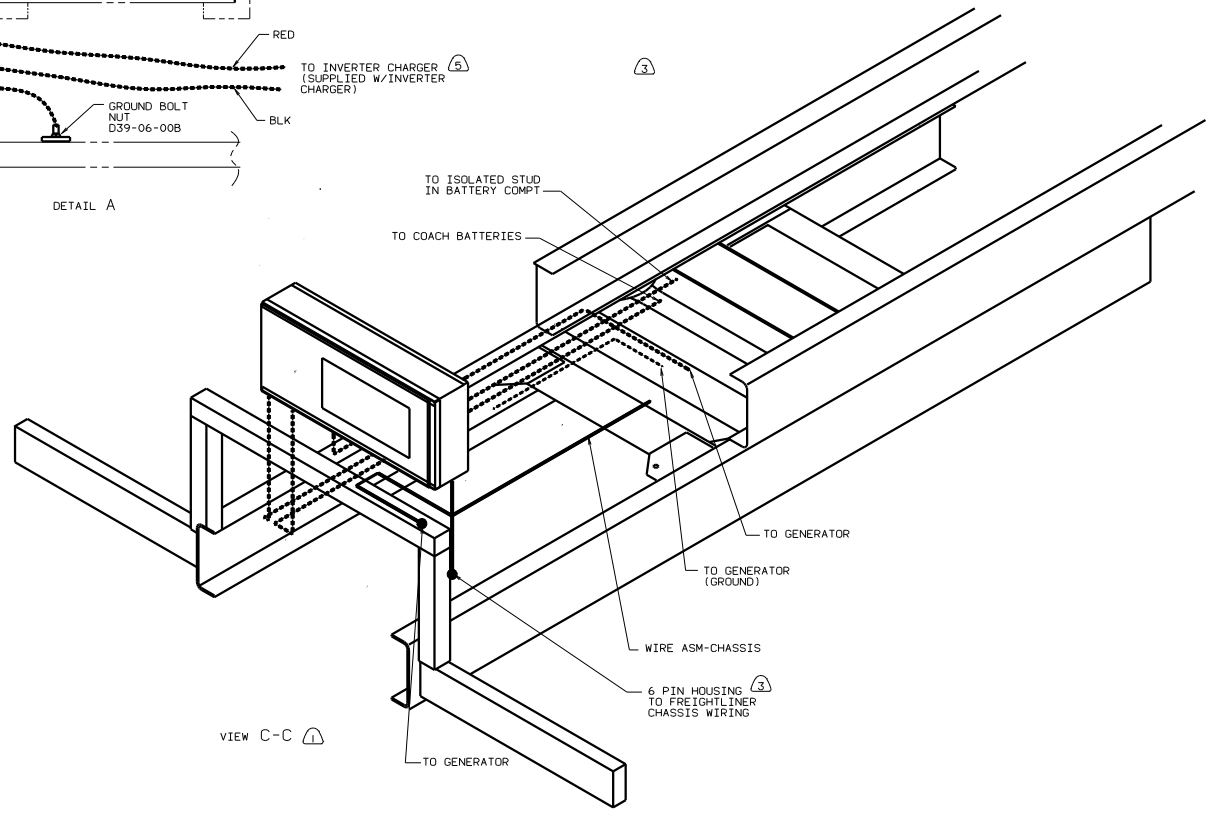
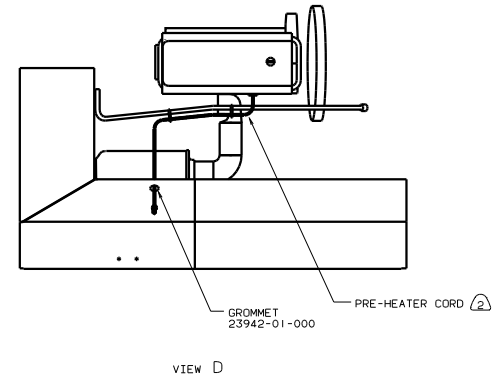
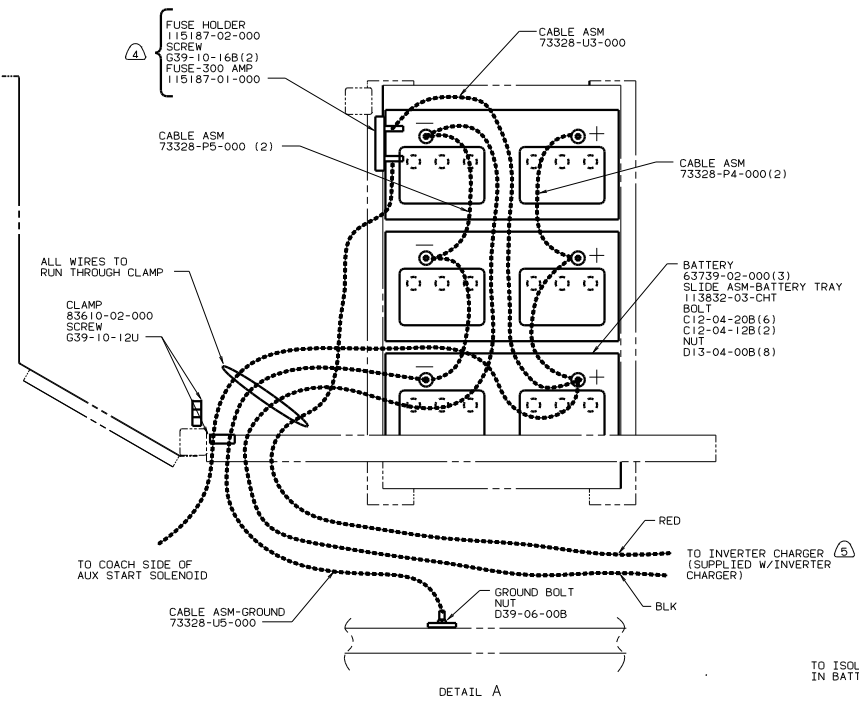
If you lack the skills, tools or equipment to perform diagnostic or repair work leave such work to an authorized Winnebago Industries dealer or other qualified shop.



- 9 SUPPLIED WITH CHASSIS.
- 8 BATTERY TIE DOWN STRAP SUPPLIED WITH SLIDE ASM-BATTERY TRAY.
- 7 LOCATE ON FLOOR SUPPORT FRAME.
- 6 USE WIRE TIE 8343-02-000 TO SECURE WIRES OR CABLES TO CHASSIS WIRING OR HOSES AT LEAST ONCE EVERY 600MM.
- 5 USE WIRE TIE 8343-02-000 TO SECURE WIRES TO FLOOR SUPPORT FRAME AT LEAST ONCE EVERY 600MM.
- 4 RUN THROUGH CHASSIS SUPPLIED RACEWAY.
- 3 SEE WIRING INSTL-BODY FOR ADDITIONAL INFORMATION.
- 2 SEE WIRING INSTL-FRONT END FOR ADDITIONAL INFORMATION.
1. LEGEND: — WINNEBAGO, CABLE, — CHASSIS SUPPLIED.

FOR ELECTRICAL TORQUE SPECIFICATIONS SEE DWG NO 128783-01-000

WINNEBAGO		98 G37MO
DATE	UNDESIGNED TOLERANCES ARE:	MATERIAL
DATE	FR. 0.125 (1/8)	
DATE	FR. 0.005 (1/32)	
DATE	FR. 0.002 (1/16)	
DATE	FR. 0.001 (1/32)	
DATE	FR. 0.0005 (1/64)	
DATE	FR. 0.0002 (1/128)	
DATE	FR. 0.0001 (1/256)	
DATE	FR. 0.00005 (1/512)	
DATE	FR. 0.00002 (1/1024)	
DATE	FR. 0.00001 (1/2048)	
DATE	FR. 0.000005 (1/4096)	
DATE	FR. 0.000002 (1/8192)	
DATE	FR. 0.000001 (1/16384)	
DATE	FR. 0.0000005 (1/32768)	
DATE	FR. 0.0000002 (1/65536)	
DATE	FR. 0.0000001 (1/131072)	
DATE	FR. 0.00000005 (1/262144)	
DATE	FR. 0.00000002 (1/524288)	
DATE	FR. 0.00000001 (1/1048576)	
DATE	FR. 0.000000005 (1/2097152)	
DATE	FR. 0.000000002 (1/4194304)	
DATE	FR. 0.000000001 (1/8388608)	
DATE	FR. 0.0000000005 (1/16777216)	
DATE	FR. 0.0000000002 (1/33554432)	
DATE	FR. 0.0000000001 (1/67108864)	
DATE	FR. 0.00000000005 (1/134217728)	
DATE	FR. 0.00000000002 (1/268435456)	
DATE	FR. 0.00000000001 (1/536870912)	
DATE	FR. 0.000000000005 (1/1073741824)	
DATE	FR. 0.000000000002 (1/2147483648)	
DATE	FR. 0.000000000001 (1/4294967296)	
DATE	FR. 0.0000000000005 (1/8589934592)	
DATE	FR. 0.0000000000002 (1/17179869184)	
DATE	FR. 0.0000000000001 (1/34359738368)	
DATE	FR. 0.00000000000005 (1/68719476736)	
DATE	FR. 0.00000000000002 (1/137438953472)	
DATE	FR. 0.00000000000001 (1/274877906944)	
DATE	FR. 0.000000000000005 (1/549755813888)	
DATE	FR. 0.000000000000002 (1/1099511627776)	
DATE	FR. 0.000000000000001 (1/2199023255552)	
DATE	FR. 0.0000000000000005 (1/4398046511104)	
DATE	FR. 0.0000000000000002 (1/8796093022208)	
DATE	FR. 0.0000000000000001 (1/17592186044416)	
DATE	FR. 0.00000000000000005 (1/35184372088832)	
DATE	FR. 0.00000000000000002 (1/70368744177664)	
DATE	FR. 0.00000000000000001 (1/140737488355328)	
DATE	FR. 0.000000000000000005 (1/281474976710656)	
DATE	FR. 0.000000000000000002 (1/562949953421312)	
DATE	FR. 0.000000000000000001 (1/1125899906842624)	
DATE	FR. 0.0000000000000000005 (1/2251799813685248)	
DATE	FR. 0.0000000000000000002 (1/4503599627370496)	
DATE	FR. 0.0000000000000000001 (1/9007199254740992)	
DATE	FR. 0.00000000000000000005 (1/18014398509481984)	
DATE	FR. 0.00000000000000000002 (1/36028797018963968)	
DATE	FR. 0.00000000000000000001 (1/72057594037927936)	
DATE	FR. 0.000000000000000000005 (1/144115188075855872)	
DATE	FR. 0.000000000000000000002 (1/288230376151711744)	
DATE	FR. 0.000000000000000000001 (1/576460752303423488)	
DATE	FR. 0.0000000000000000000005 (1/1152921504606846976)	
DATE	FR. 0.0000000000000000000002 (1/2305843009213693952)	
DATE	FR. 0.0000000000000000000001 (1/4611686018427387904)	
DATE	FR. 0.00000000000000000000005 (1/9223372036854775808)	
DATE	FR. 0.00000000000000000000002 (1/18446744073709551616)	
DATE	FR. 0.00000000000000000000001 (1/36893488147419103232)	
DATE	FR. 0.000000000000000000000005 (1/73786976294838206464)	
DATE	FR. 0.000000000000000000000002 (1/147573952589676412928)	
DATE	FR. 0.000000000000000000000001 (1/295147905179352825856)	
DATE	FR. 0.0000000000000000000000005 (1/590295810358705651712)	
DATE	FR. 0.0000000000000000000000002 (1/1180591620717411303424)	
DATE	FR. 0.0000000000000000000000001 (1/2361183241434822606848)	
DATE	FR. 0.00000000000000000000000005 (1/4722366482869645213696)	
DATE	FR. 0.00000000000000000000000002 (1/9444732965739290427392)	
DATE	FR. 0.00000000000000000000000001 (1/18889465931478580854784)	
DATE	FR. 0.000000000000000000000000005 (1/37778931862957161709568)	
DATE	FR. 0.000000000000000000000000002 (1/75557863725914323419136)	
DATE	FR. 0.000000000000000000000000001 (1/151115727451828646838272)	
DATE	FR. 0.0000000000000000000000000005 (1/302231454903657293676544)	
DATE	FR. 0.0000000000000000000000000002 (1/604462909807314587353088)	
DATE	FR. 0.0000000000000000000000000001 (1/1208925819614629174706176)	
DATE	FR. 0.00000000000000000000000000005 (1/2417851639229258349412352)	
DATE	FR. 0.00000000000000000000000000002 (1/4835703278458516698824704)	
DATE	FR. 0.00000000000000000000000000001 (1/9671406556917033397649408)	
DATE	FR. 0.000000000000000000000000000005 (1/19342813113834066795298816)	
DATE	FR. 0.000000000000000000000000000002 (1/38685626227668133590597632)	
DATE	FR. 0.000000000000000000000000000001 (1/77371252455336267181195264)	
DATE	FR. 0.0000000000000000000000000000005 (1/154742504910672534362390528)	
DATE	FR. 0.0000000000000000000000000000002 (1/309485009821345068724781056)	
DATE	FR. 0.0000000000000000000000000000001 (1/618970019642690137449562112)	
DATE	FR. 0.00000000000000000000000000000005 (1/1237940039285380274899124224)	
DATE	FR. 0.00000000000000000000000000000002 (1/2475880078570760549798248448)	
DATE	FR. 0.00000000000000000000000000000001 (1/4951760157141521099596488896)	
DATE	FR. 0.000000000000000000000000000000005 (1/9903520314283042199192977792)	
DATE	FR. 0.000000000000000000000000000000002 (1/19807040628566084398385955984)	
DATE	FR. 0.000000000000000000000000000000001 (1/39614081257132168796771911968)	
DATE	FR. 0.0000000000000000000000000000000005 (1/79228162514264337593543823936)	
DATE	FR. 0.0000000000000000000000000000000002 (1/158456325028528675187087647872)	
DATE	FR. 0.0000000000000000000000000000000001 (1/316912650057057350374175295744)	
DATE	FR. 0.00000000000000000000000000000000005 (1/633825300114114700748350591488)	
DATE	FR. 0.00000000000000000000000000000000002 (1/1267650600228229401496701182976)	
DATE	FR. 0.00000000000000000000000000000000001 (1/2535301200456458802993402365952)	
DATE	FR. 0.000000000000000000000000000000000005 (1/5070602400912917605986804731904)	
DATE	FR. 0.000000000000000000000000000000000002 (1/10141204801825835211973609463808)	
DATE	FR. 0.000000000000000000000000000000000001 (1/20282409603651670423947218927616)	
DATE	FR. 0.0000000000000000000000000000000000005 (1/40564819207303340847894437855232)	
DATE	FR. 0.0000000000000000000000000000000000002 (1/81129638414606681695788875710464)	
DATE	FR. 0.0000000000000000000000000000000000001 (1/16225927682921336391557751542128)	
DATE	FR. 0.00000000000000000000000000000000000005 (1/32451855365842672783115503084256)	
DATE	FR. 0.00000000000000000000000000000000000002 (1/64903710731685345566231006168512)	
DATE	FR. 0.00000000000000000000000000000000000001 (1/129807421463370691132462012337024)	
DATE	FR. 0.000000000000000000000000000000000000005 (1/259614842926741382264924024674048)	
DATE	FR. 0.000000000000000000000000000000000000002 (1/519229685853482764529848049348096)	
DATE	FR. 0.000000000000000000000000000000000000001 (1/1038459371706965529059696098696192)	
DATE	FR. 0.0000000000000000000000000000000000000005 (1/2076918743413931058119392197392384)	
DATE	FR. 0.0000000000000000000000000000000000000002 (1/4153837486827862116238784394784768)	
DATE	FR. 0.0000000000000000000000000000000000000001 (1/8307674973655724232477568789569536)	
DATE	FR. 0.005 (1/16615349947311448464955135791139712)	
DATE	FR. 0.002 (1/33230699894622896929910271582279424)	
DATE	FR. 0.001 (1/66461399789245793859820543164558848)	
DATE	FR. 0.0005 (1/132922799578491587719641086329117792)	
DATE	FR. 0.0002 (1/265845599156983175439282172658235584)	
DATE	FR. 0.0001 (1/531691198313966350878564345316471168)	
DATE	FR. 0.005 (1/106338239662793270175712869063294336)	
DATE	FR. 0.002 (1/212676479325586540351425738126588672)	
DATE	FR. 0.001 (1/425352958651173080702851476253177344)	
DATE	FR. 0.0005 (1/850705917302346161405702952506354688)	
DATE	FR. 0.0002 (1/1701411834604692322811405905012709376)	
DATE	FR. 0.0001 (1/3402823669209384645622811810025418752)	
DATE	FR. 0.005 (1/6805647338418769291245623620050837504)	
DATE	FR. 0.002 (1/13611294676837538582491247240101751008)	
DATE	FR. 0.001 (1/27222589353675077164982494480203502016)	
DATE	FR. 0.0005 (1/54445178707350154329964988960407004032)	
DATE	FR. 0.0002 (1/108890357414700308659929977920814008064)	
DATE	FR. 0.0001 (1/217780714829400617319859955841628016128)	
DATE	FR. 0.005 (1/435561429658801234639719911683256032256)	
DATE	FR. 0.002 (1/871122859317602469279439823366512064512)	
DATE	FR. 0.001 (1/174224571835520493855887946673304129024)	
DATE	FR. 0.0005 (1	



- NOTES:
- (5) SEE WIRING INSTL-BODY FOR ADDITIONAL INFORMATION.
 - (4) LOCATE ON FLOOR SUPPORT FRAME.
 - (3) REMOVE 6 POSITION WEATHER PACK HOUSING SUPPLIED W/CHASSIS AND SEND TO WIRE PREP.
 - (2) SECURE CORD AWAY FROM ALL MOVING PARTS AND EXHAUST WITH TIE-WIRE 93147-01-000 AS REQUIRED.
 - (1) SEE WIRING INSTL-FRONT END FOR ADDITIONAL INFORMATION.

FOR ELECTRICAL TORQUE SPECIFICATIONS SEE DWG NO. 128783-01-000

TITLE: WIRING INSTL-CHASSIS	
NO. OF SHEETS	TOTAL SHEETS
2 OF 2	2
DWG NO.	127110

98 Q37W0