



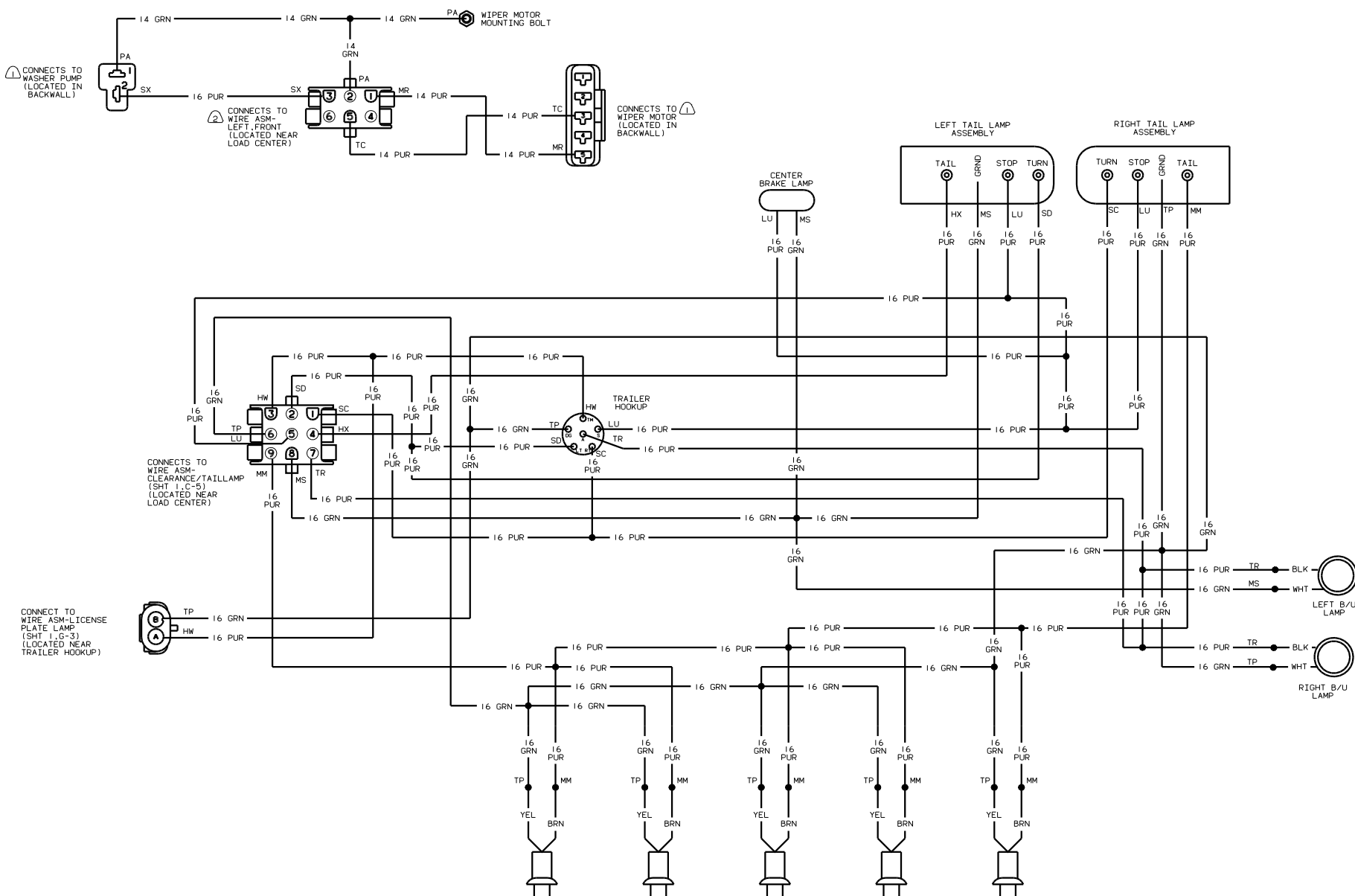
DANGER

Danger of electrical shock, burns or death. Always remove all power sources before attempting any repair, service or diagnostic work. Power can be present from shore power, generator, inverter or battery. All power sources must be disabled and secured before performing any service.



CAUTION

If you lack the skills, tools or equipment to perform diagnostic or repair work leave such work to an authorized Winnebago Industries dealer or other qualified shop.

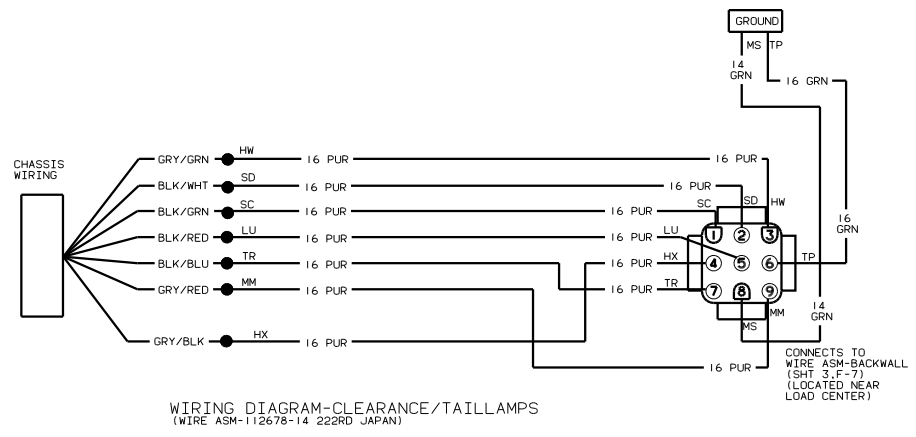
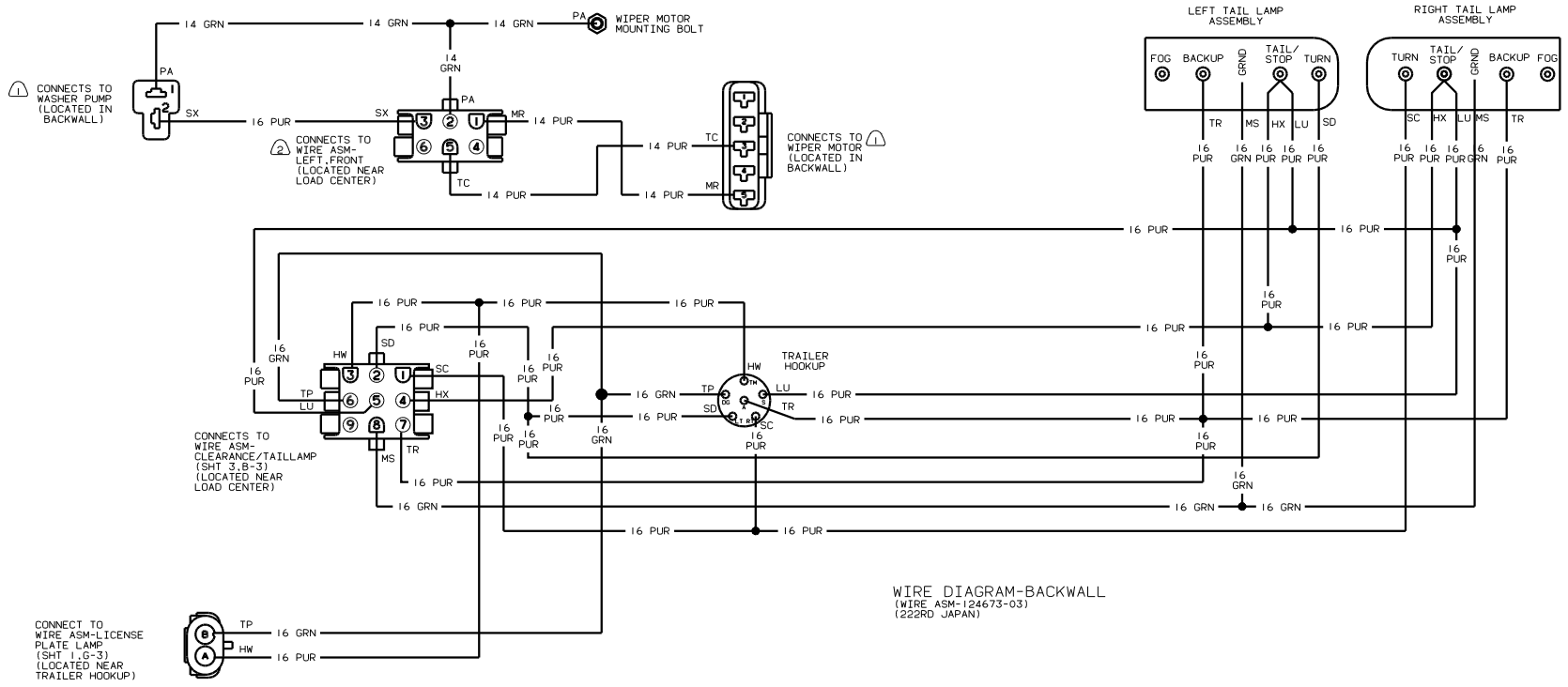


WIRE DIAGRAM-BACKWALL (WIRE ASM 124673-01)

(2) SEE WIRING DIAGRAM-BODY FOR ADDITIONAL INFORMATION.
 (1) SEE MANUFACTURER'S DIAGRAM FOR ADDITIONAL INFORMATION.

98 222RD/RC

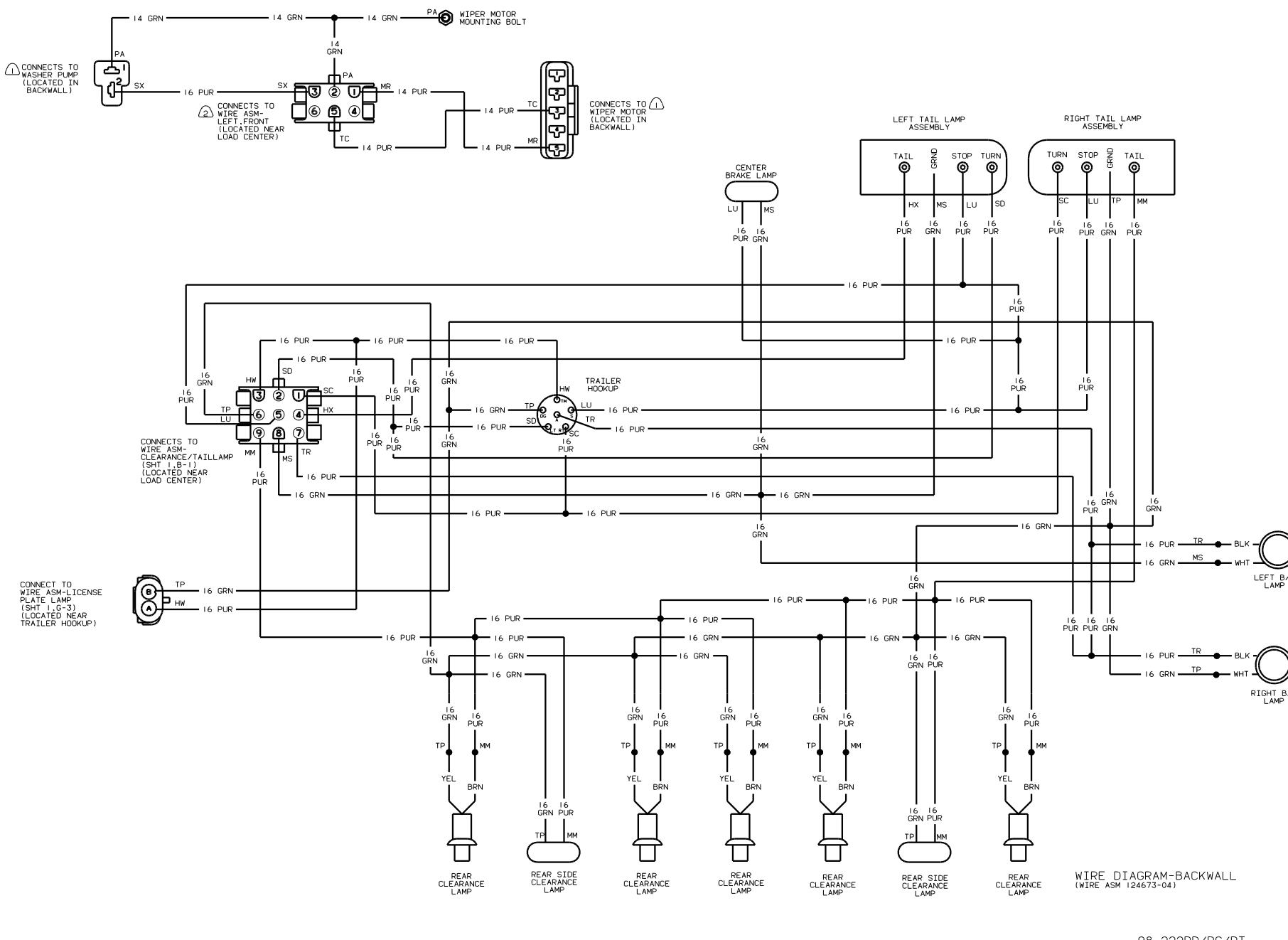
TITLE		WIRING DIAGRAM-AUTO LAMPS	
DO NOT SCALE DRAWING	REV	DATE	127079
SHEET 2 OF 4	1 E		



② SEE WIRING DIAGRAM-BODY FOR ADDITIONAL INFORMATION.
 ① SEE MANUFACTURER'S DIAGRAM FOR ADDITIONAL INFORMATION.

98 222RD/RC

TITLE		WIRING DIAGRAM-AUTO LAMPS	
DATE	SCALE	REV	1.0
SHEET 3	OF 4	FIG NO	127079



WIRE DIAGRAM-BACKWALL (WIRE ASM 124673-04)

98 222RD/RC/RT CANADIAN

FILE NO.	WIRING DIAGRAM-AUTO LAMPS
DO NOT SCALE DRAWING	REV. NO.
SHEET 4 OF 4	127079

② SEE WIRING DIAGRAM-BODY FOR ADDITIONAL INFORMATION.
 ① SEE MANUFACTURER'S DIAGRAM FOR ADDITIONAL INFORMATION.