



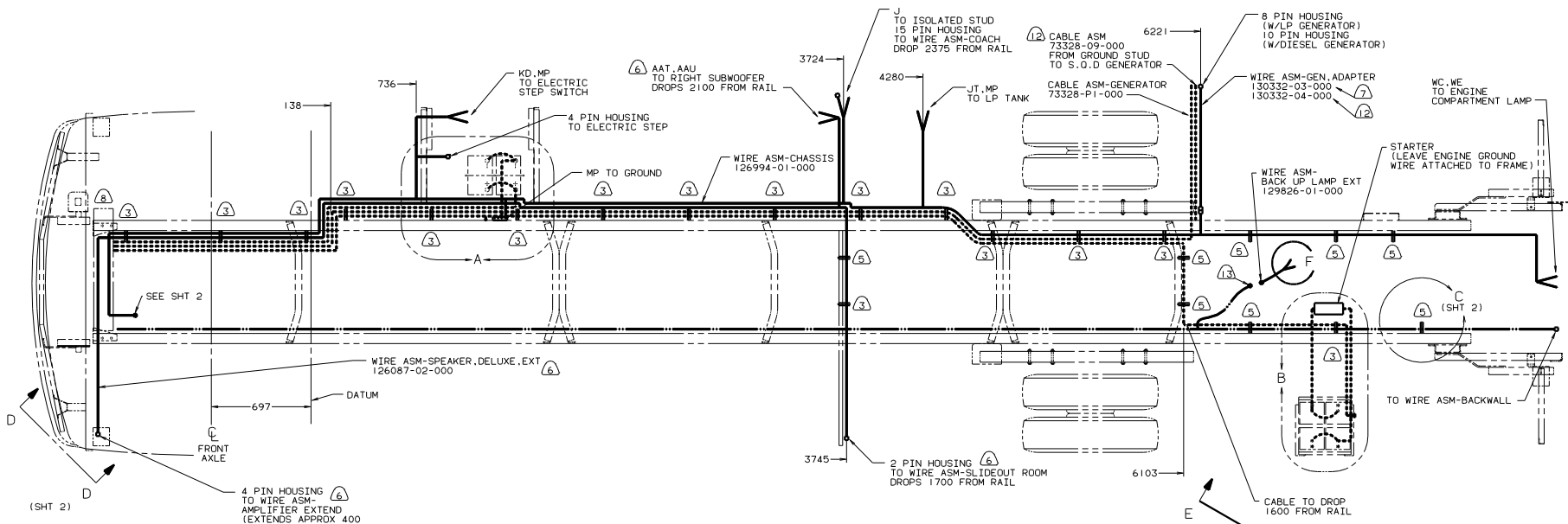
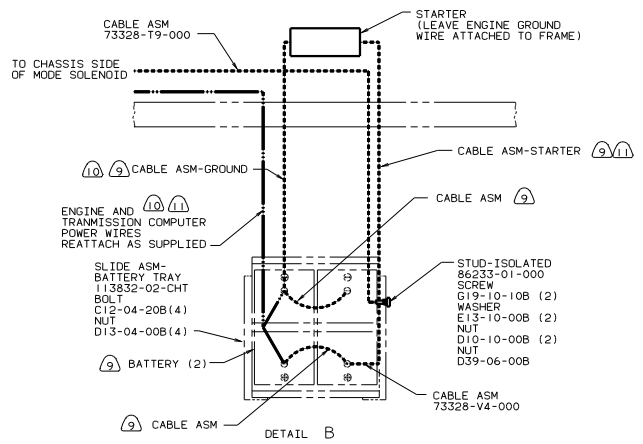
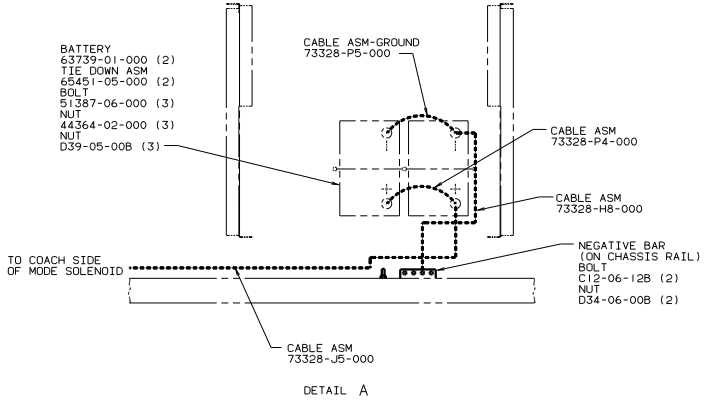
DANGER

Danger of electrical shock, burns or death. Always remove all power sources before attempting any repair, service or diagnostic work. Power can be present from shore power, generator, inverter or battery. All power sources must be disabled and secured before performing any service.

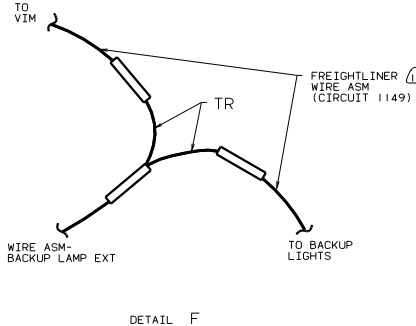


CAUTION

If you lack the skills, tools or equipment to perform diagnostic or repair work leave such work to an authorized Winnebago Industries dealer or other qualified shop.



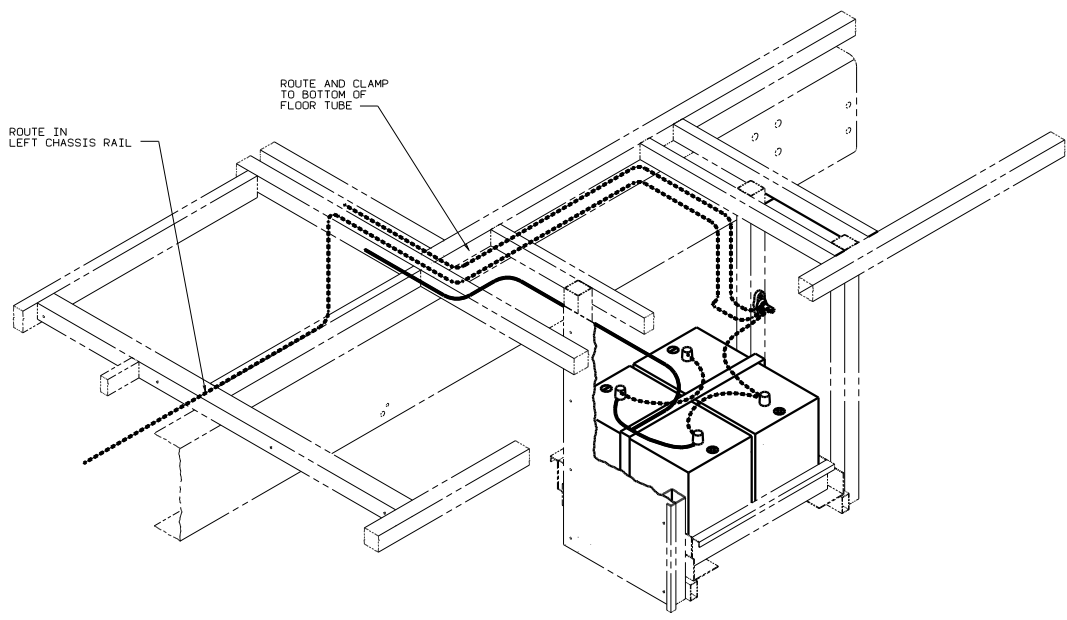
- (1) CUT WIRE AND RECONNECT AS SHOWN.
- (2) REMOVE 6 POSITION WEATHER PACK HOUSING SUPPLIED W/CHASSIS & SEND TO WIRE PREP.
- (3) 670 GEN-7.5KW, QUIET DIESEL.
- (4) COIL UP EXCESS CABLE AND TIE WITH 8343-02-000.
- (5) USE AS SUPPLIED.
- (6) SUPPLIED WITH CHASSIS.
- (7) FOR ADDITIONAL INFORMATION, SEE WIRING INSTL FRONT END.
- (8) 39R GEN-6.5KW, MARQUIS, LOUD LP.
- (9) 21V SOUND SYSTEM-DLX.
- (10) CLAMP 10497-03-000, SCREW G11-10-16B.
- (11) ROUTE CABLES BELOW CHASSIS RAIL IN THIS AREA, FOLLOW INSIDE RAIL.
- (12) CLAMP 83610-01-000, SCREW G11-10-16B.
- (13) SECURE CONDUIT 41953-09-000, 41953-10-000 AND 41953-11-000 OVER ALL WIRES IN CONTACT WITH SHARP EDGES.



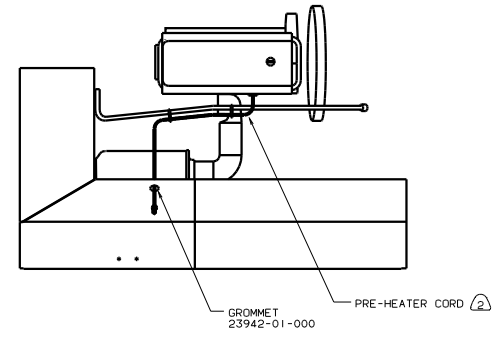
FOR ELECTRICAL TORQUE SPECIFICATIONS SEE DWG NO. 128783-01-000

ICE FREIGHTLINER, CHASSIS

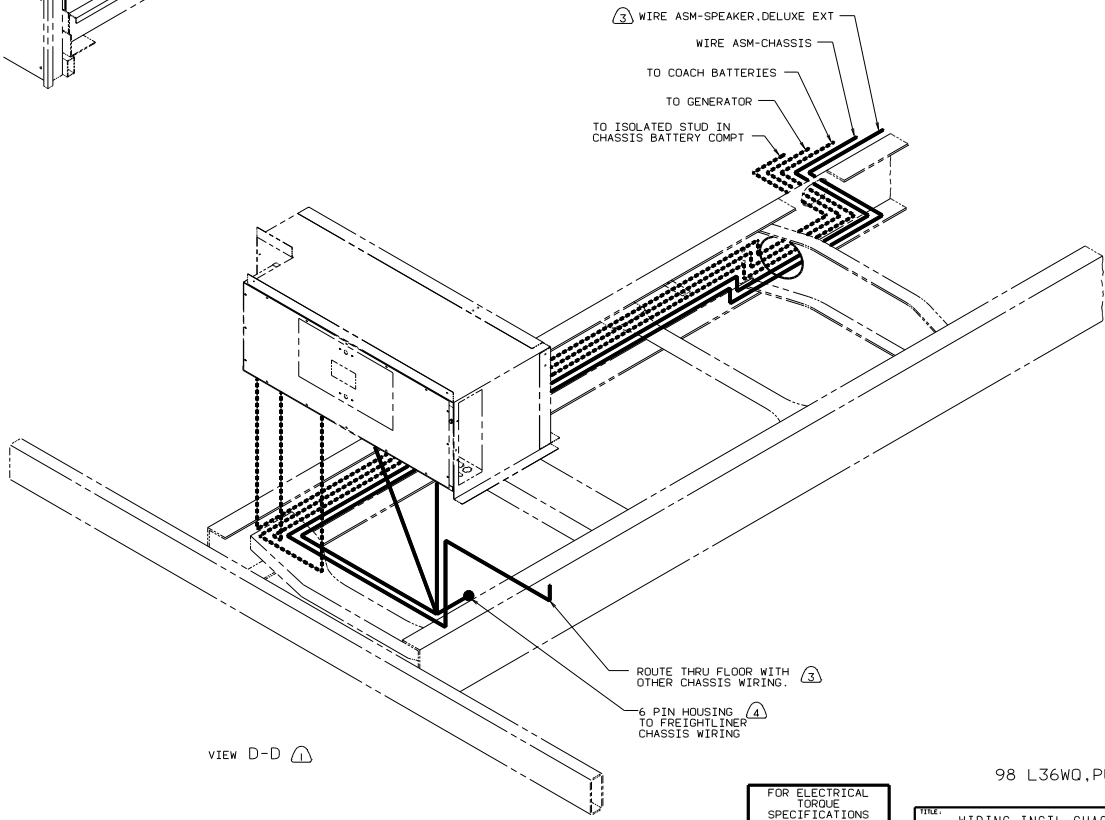
WINNEBAGO 98 L36W0 PUSHER	
DATE	UNSPECIFIED TOLERANCES ARE:
DATE	FR. 1/16
DATE	FR. 1/32
DATE	FR. 1/64
DATE	FR. 3/16
DATE	FR. 1/2
DATE	FR. 1
DATE	FR. 2
DATE	FR. 3
DATE	FR. 4
DATE	FR. 5
DATE	FR. 6
DATE	FR. 7
DATE	FR. 8
DATE	FR. 9
DATE	FR. 10
DATE	FR. 11
DATE	FR. 12
DATE	FR. 13
DATE	FR. 14
DATE	FR. 15
DATE	FR. 16
DATE	FR. 17
DATE	FR. 18
DATE	FR. 19
DATE	FR. 20
DATE	FR. 21
DATE	FR. 22
DATE	FR. 23
DATE	FR. 24
DATE	FR. 25
DATE	FR. 26
DATE	FR. 27
DATE	FR. 28
DATE	FR. 29
DATE	FR. 30
DATE	FR. 31
DATE	FR. 32
DATE	FR. 33
DATE	FR. 34
DATE	FR. 35
DATE	FR. 36
DATE	FR. 37
DATE	FR. 38
DATE	FR. 39
DATE	FR. 40
DATE	FR. 41
DATE	FR. 42
DATE	FR. 43
DATE	FR. 44
DATE	FR. 45
DATE	FR. 46
DATE	FR. 47
DATE	FR. 48
DATE	FR. 49
DATE	FR. 50
DATE	FR. 51
DATE	FR. 52
DATE	FR. 53
DATE	FR. 54
DATE	FR. 55
DATE	FR. 56
DATE	FR. 57
DATE	FR. 58
DATE	FR. 59
DATE	FR. 60
DATE	FR. 61
DATE	FR. 62
DATE	FR. 63
DATE	FR. 64
DATE	FR. 65
DATE	FR. 66
DATE	FR. 67
DATE	FR. 68
DATE	FR. 69
DATE	FR. 70
DATE	FR. 71
DATE	FR. 72
DATE	FR. 73
DATE	FR. 74
DATE	FR. 75
DATE	FR. 76
DATE	FR. 77
DATE	FR. 78
DATE	FR. 79
DATE	FR. 80
DATE	FR. 81
DATE	FR. 82
DATE	FR. 83
DATE	FR. 84
DATE	FR. 85
DATE	FR. 86
DATE	FR. 87
DATE	FR. 88
DATE	FR. 89
DATE	FR. 90
DATE	FR. 91
DATE	FR. 92
DATE	FR. 93
DATE	FR. 94
DATE	FR. 95
DATE	FR. 96
DATE	FR. 97
DATE	FR. 98
DATE	FR. 99
DATE	FR. 100



VIEW E-E



VIEW C



VIEW D-D (3)

- (4) REMOVE 6 POSITION WEATHER PACK HOUSING SUPPLIED W/CHASSIS AND SEND TO WIRE PREP.
- (3) 21V SOUND SYSTEM-DLX.
- (2) SECURE CORD AWAY FROM ALL MOVING PARTS AND EXHAUST WITH TIE-WIRE 93147-01-000 AS REQUIRED.
- (1) SEE WIRING INSTL-FRONT END FOR ADDITIONAL INFORMATION.

NOTES:

FOR ELECTRICAL TORQUE SPECIFICATIONS SEE DWG NO. 128783-01-000

TITLE: WIRING INSTL-CHASSIS		DWG NO. 126995	
30 100 SCALE 2000	1/16	2	2
SHEET 2 OF 2		1 E	

98 L36W0,PUSHER