



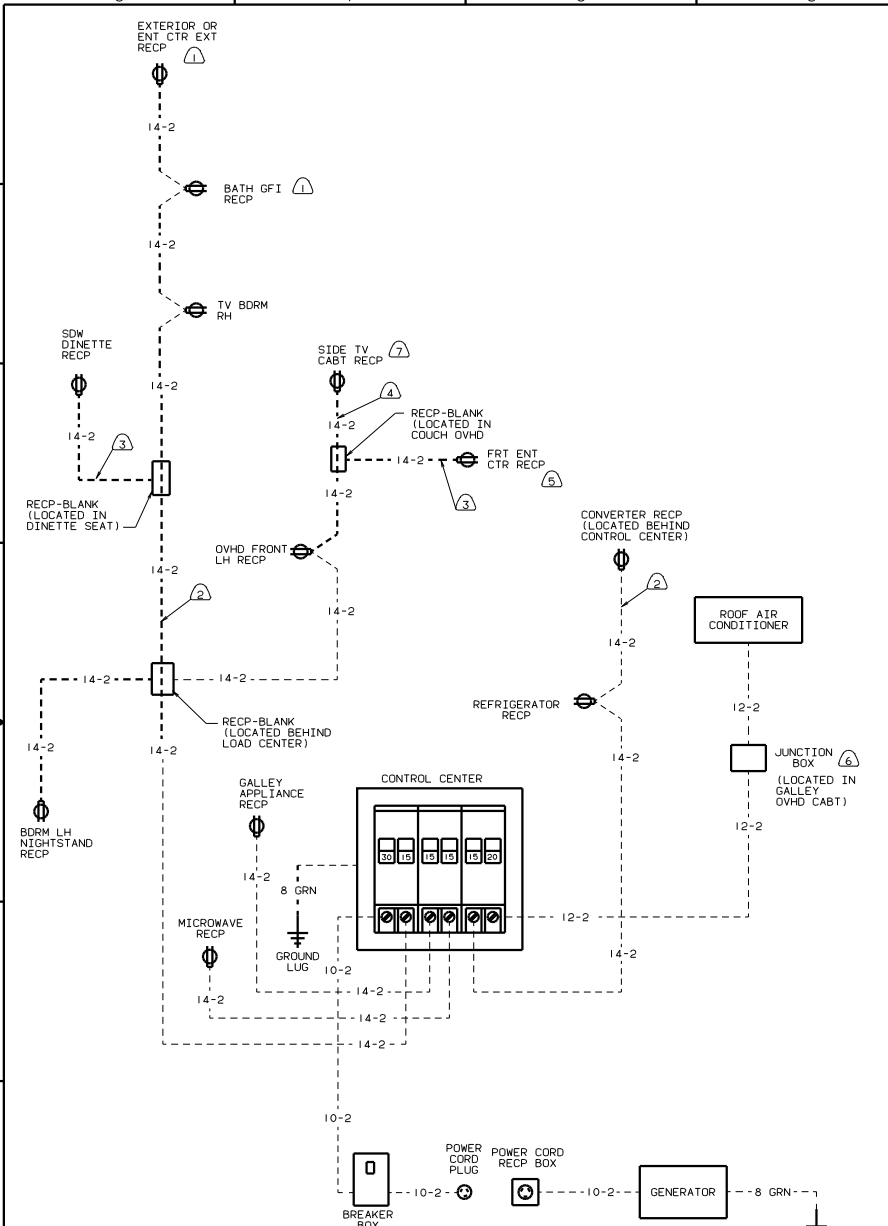
**DANGER**

**Danger of electrical shock, burns or death.** Always remove all power sources before attempting any repair, service or diagnostic work. Power can be present from shore power, generator, inverter or battery. All power sources must be disabled and secured before performing any service.



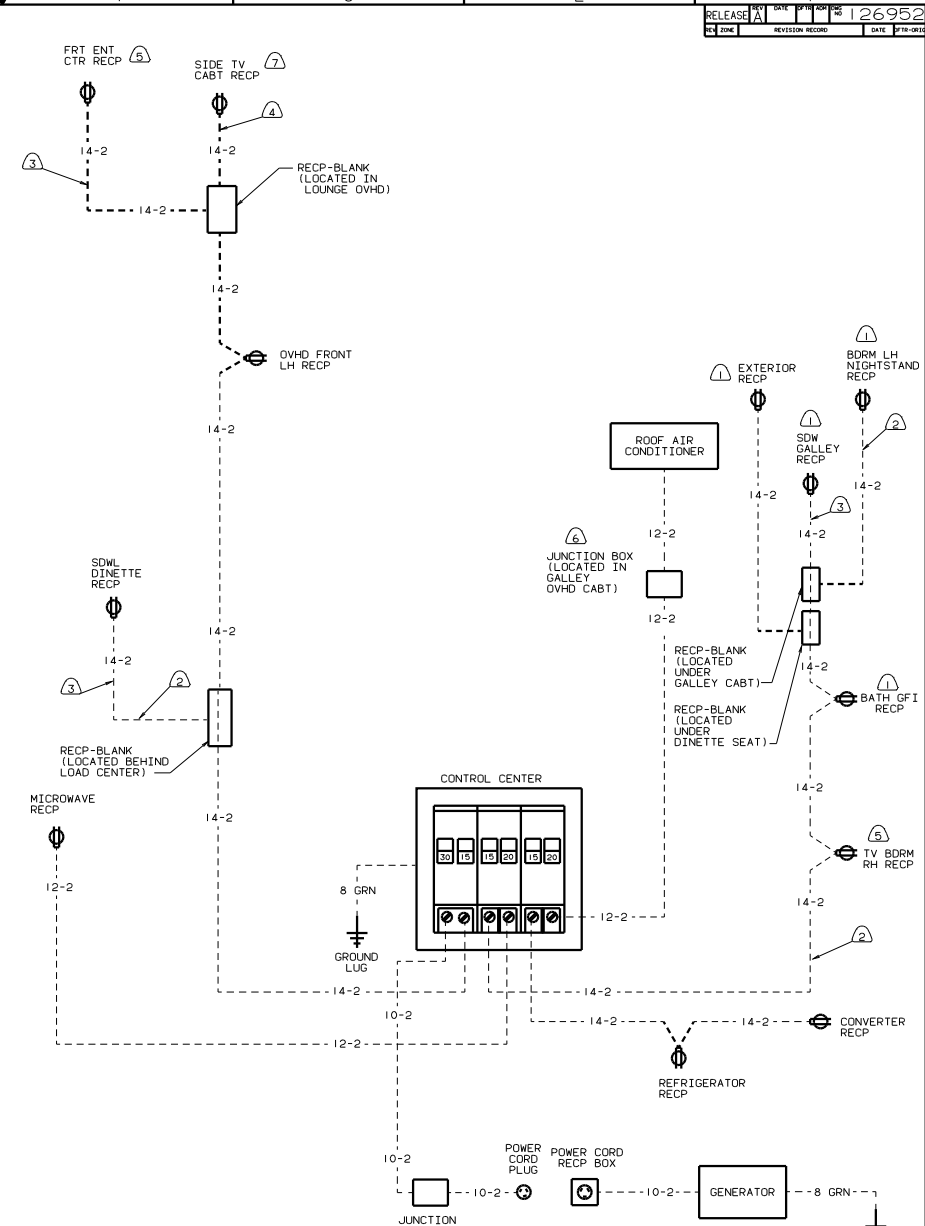
**CAUTION**

If you lack the skills, tools or equipment to perform diagnostic or repair work leave such work to an authorized Winnebago Industries dealer or other qualified shop.



265 CODE STANDARDS-CSA

- ① NOT USED WITH 78A, TV-13", W/VCP, 12V 42T, TV-19", W/SWITCHER OR 210, TV-19", W/VCR/SWITCHING SYSTEM.
- ② NOT USED WITH 250 A/C, ROOF-ONE 14,800.
- ③ 210 TV-19" W/VCR/SWITCHING SYSTEM OR 42T TV-19" W/SWITCHER.
- ④ WIRE ROUTED IN ROOF.
- ③ ROUTE WIRE THRU SIDEWALL.
- ② WIRE ROUTED UNDER FLOOR.
- ① PROTECTED BY GFI OUTLET.



IBI CODE STANDARDS-USA

12D ELECTRICAL SYS-30 AMP

WINNEBAGO		98 431WS
OF IN	DATE	UNDESIGNED TOLERANCES ARE MATERIAL
CHP	DATE	WELD DIM 1/16"
TRF	DATE	ONE-PLACE 1/8, 1/16"
D/E	DATE	TWO-PLACE 1/8, 1/16"
DRP	DATE	WELD
CONP	DATE	INDUS WELD PRODUCTION
LANST	DATE	
TITLE: WIRING INSTL-BODY 110V		
REV #	SCALE	NOTE TO THE SCALE SHOWN
ALL DIMENSIONS ARE IN MILLIMETERS	SHEET	1 OF 1