



**DANGER**

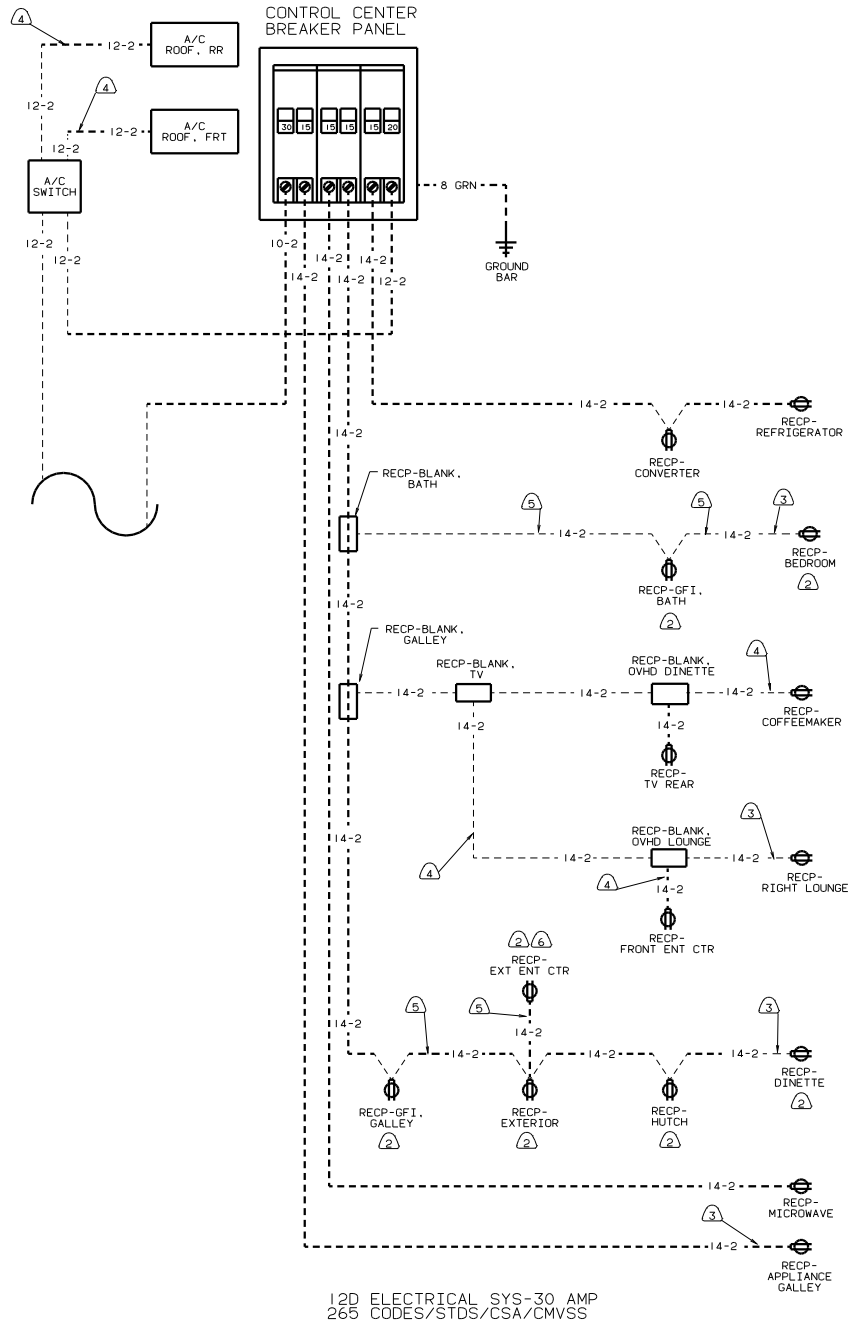
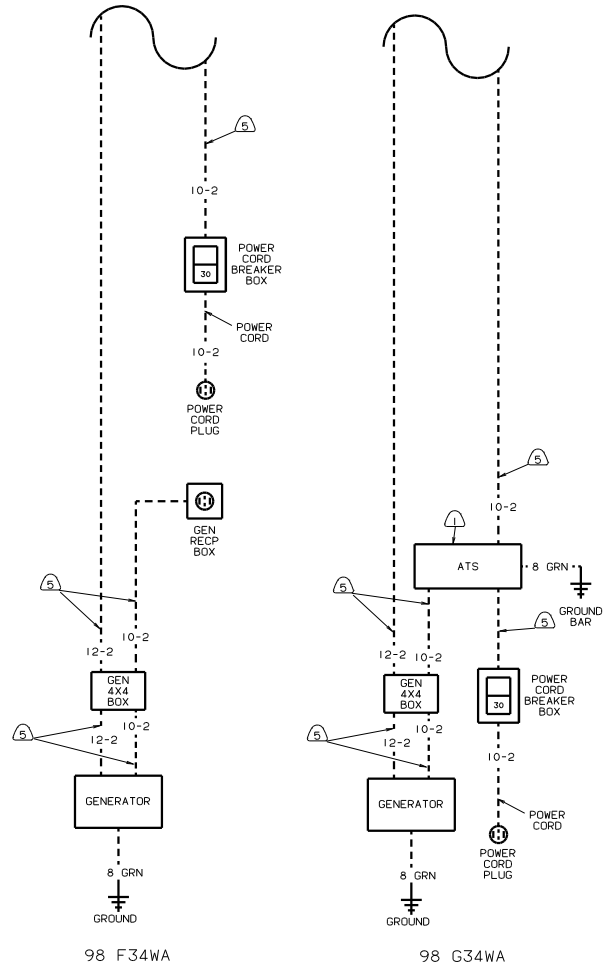
**Danger of electrical shock, burns or death.** Always remove all power sources before attempting any repair, service or diagnostic work. Power can be present from shore power, generator, inverter or battery. All power sources must be disabled and secured before performing any service.



**CAUTION**

If you lack the skills, tools or equipment to perform diagnostic or repair work leave such work to an authorized Winnebago Industries dealer or other qualified shop.





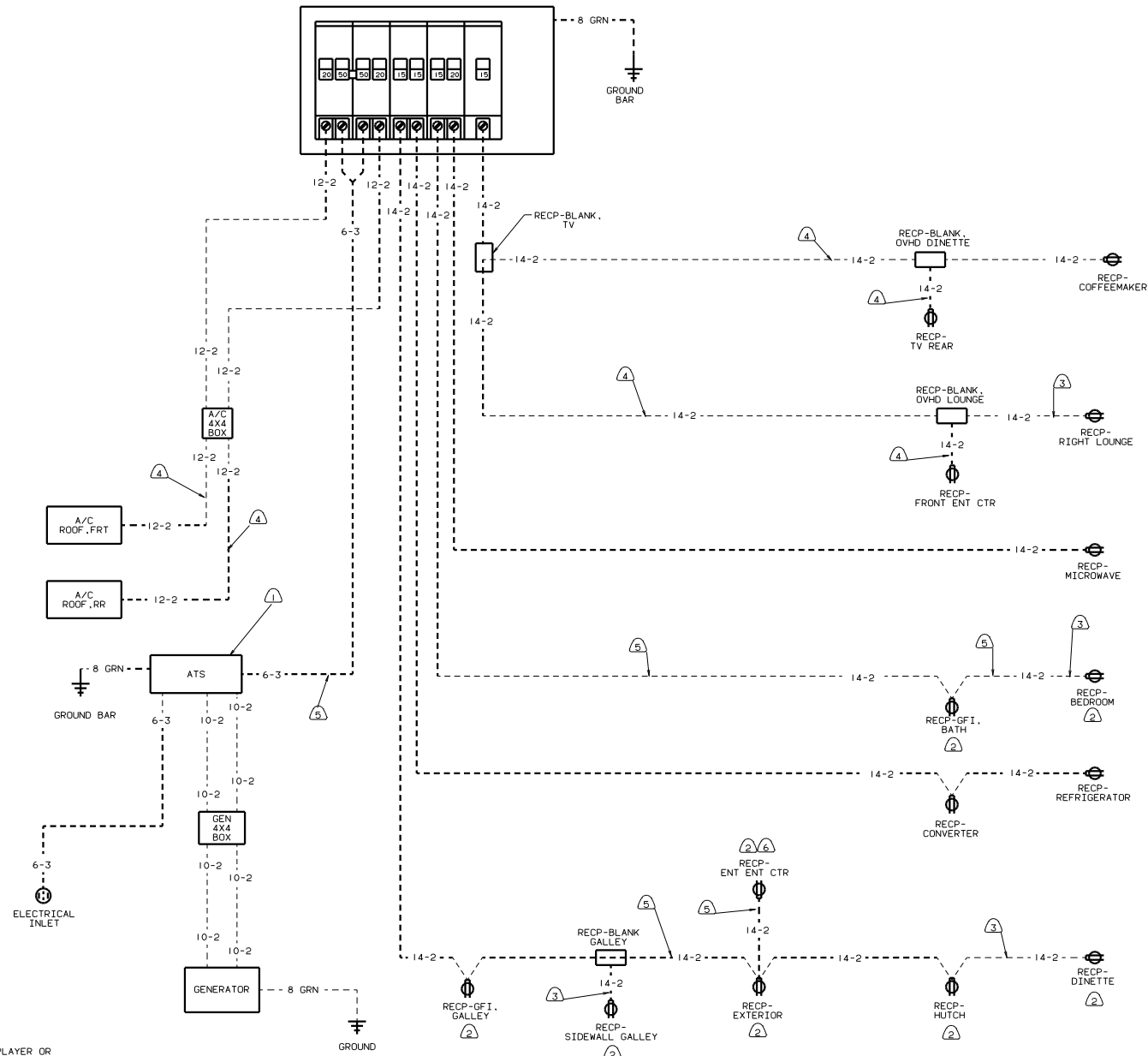
12D ELECTRICAL SYS-30 AMP  
265 CODES/STDS/CSA/CMVSS

98 F & G34WA

- Ⓐ 105 ENTERTAINMENT CTR-EXT. W/CD PLAYER OR 76C ENTERTAINMENT CTR-EXT W/CASSETTE.
- Ⓔ WIRE ROUTED BELOW MAIN FLOOR.
- Ⓕ WIRE ROUTED IN ROOF.
- Ⓖ WIRE ROUTED IN SIDEWALL.
- Ⓗ PROTECTED BY GROUND FAULT INTERRUPTER RECP.
- Ⓘ SEE MANUFACTURER'S WIRING DIAGRAM FOR ADDITIONAL INFORMATION

TITLE		WIRING DIAGRAM-BODY 110V	
NO. OF SHEETS	DATE	REV.	DATE
2	11/01/05	1	11/01/05
SHEET 2 OF 4		126832	

CONTROL CENTER  
BREAKER PANEL



- NOTES:
- (6) 105 ENTERTAINMENT CTR-EXT. W/CD PLAYER OR 76C ENTERTAINMENT CTR-EXT. W/CASSETTE.
  - (5) WIRE ROUTED BELOW MAIN FLOOR.
  - (4) WIRE ROUTED IN ROOF.
  - (3) WIRE ROUTED IN SIDEWALL.
  - (2) PROTECTED BY GROUND FAULT INTERRUPTER RECP.
  - (1) SEE MANUFACTURER'S WIRING DIAGRAM FOR ADDITIONAL INFORMATION

**98 G34WA ONLY**  
78J ELECTRICAL SYS-50 AMP  
IB1 CODES/STANDARDS USA

TITLE		WIRING DIAGRAM-BODY, LIQ V	
NO. OF SCALES/REV.	REV.	SHEET	NO.
		3 OF 4	16
		126832	

