



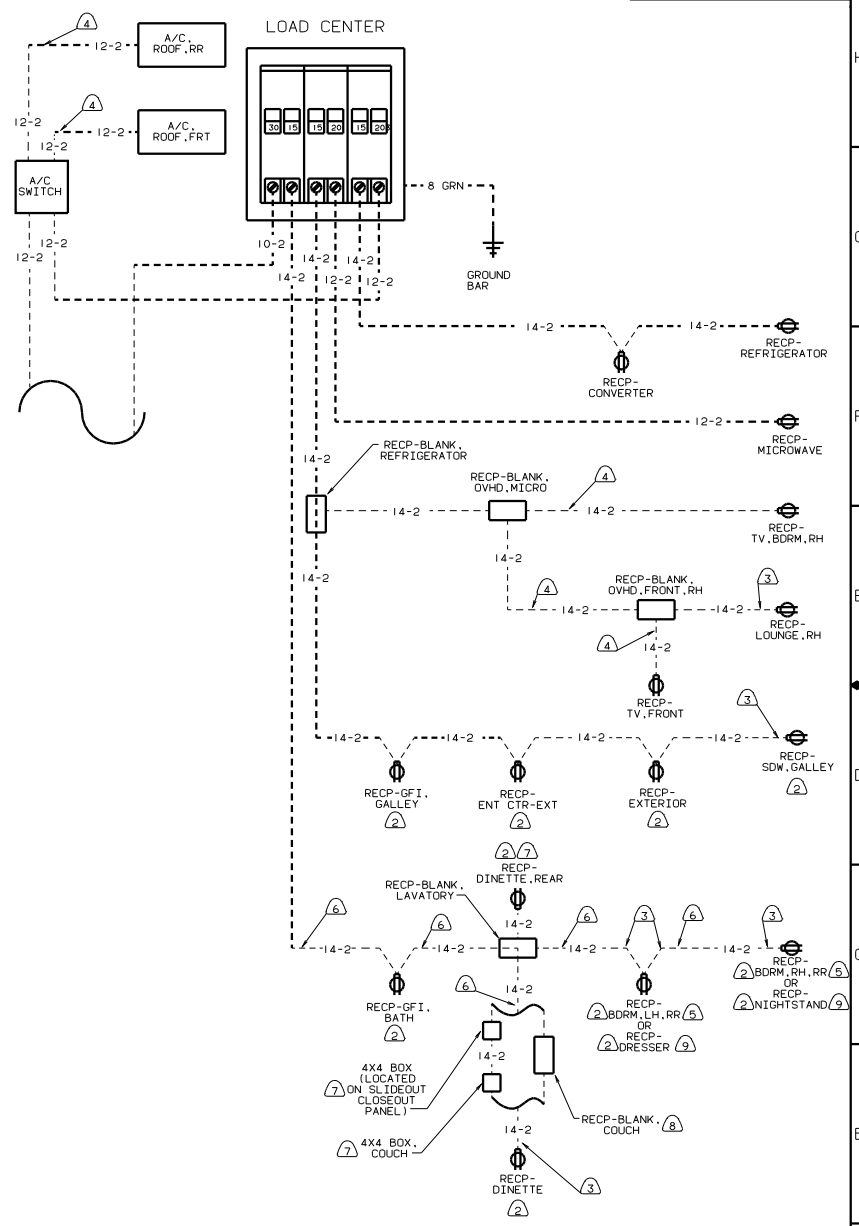
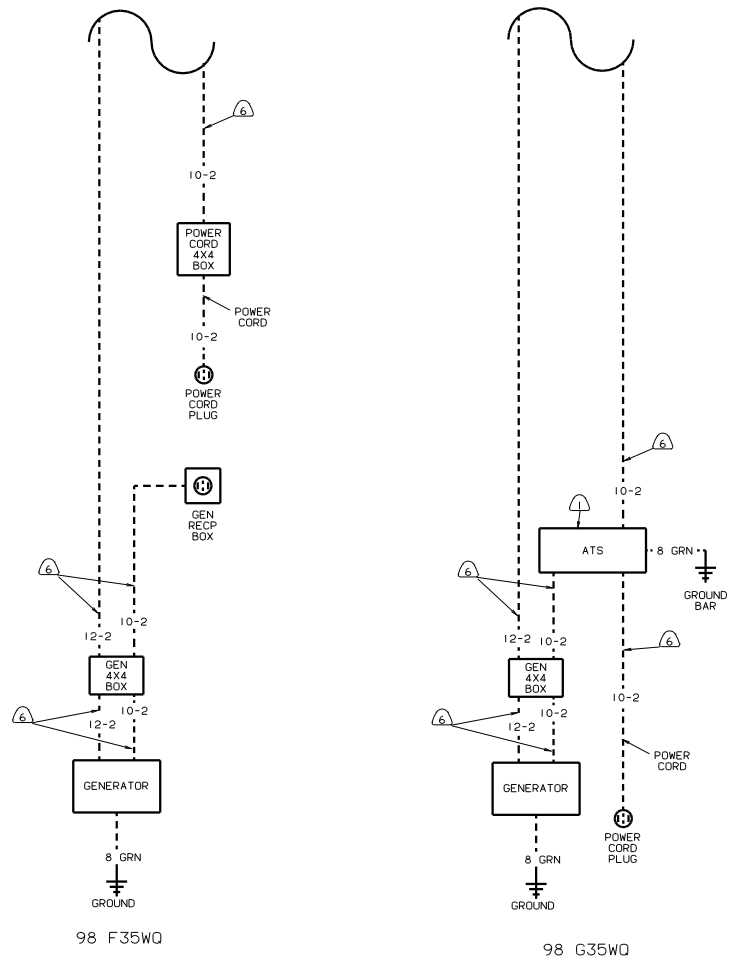
DANGER

Danger of electrical shock, burns or death. Always remove all power sources before attempting any repair, service or diagnostic work. Power can be present from shore power, generator, inverter or battery. All power sources must be disabled and secured before performing any service.



CAUTION

If you lack the skills, tools or equipment to perform diagnostic or repair work leave such work to an authorized Winnebago Industries dealer or other qualified shop.



- (9) 45G BED-TWINS
- (8) 1A8 SLIDE-OUT ROOM, W/O(FRT LT)
- (7) 09L SLIDE-OUT ROOM, FRT LT
- (6) WIRE ROUTED BELOW UPPER FLOOR
- (5) 49X BED-QUEEN
- (4) WIRE ROUTED IN ROOF
- (3) WIRE ROUTED THROUGH SIDEWALL
- (2) PROTECTED BY GROUND FAULT INTERRUPTER RECEPTACLE
- (1) SEE MANUFACTURER'S WIRING DIAGRAM FOR ADDITIONAL INFORMATION.

98 F & G35WQ

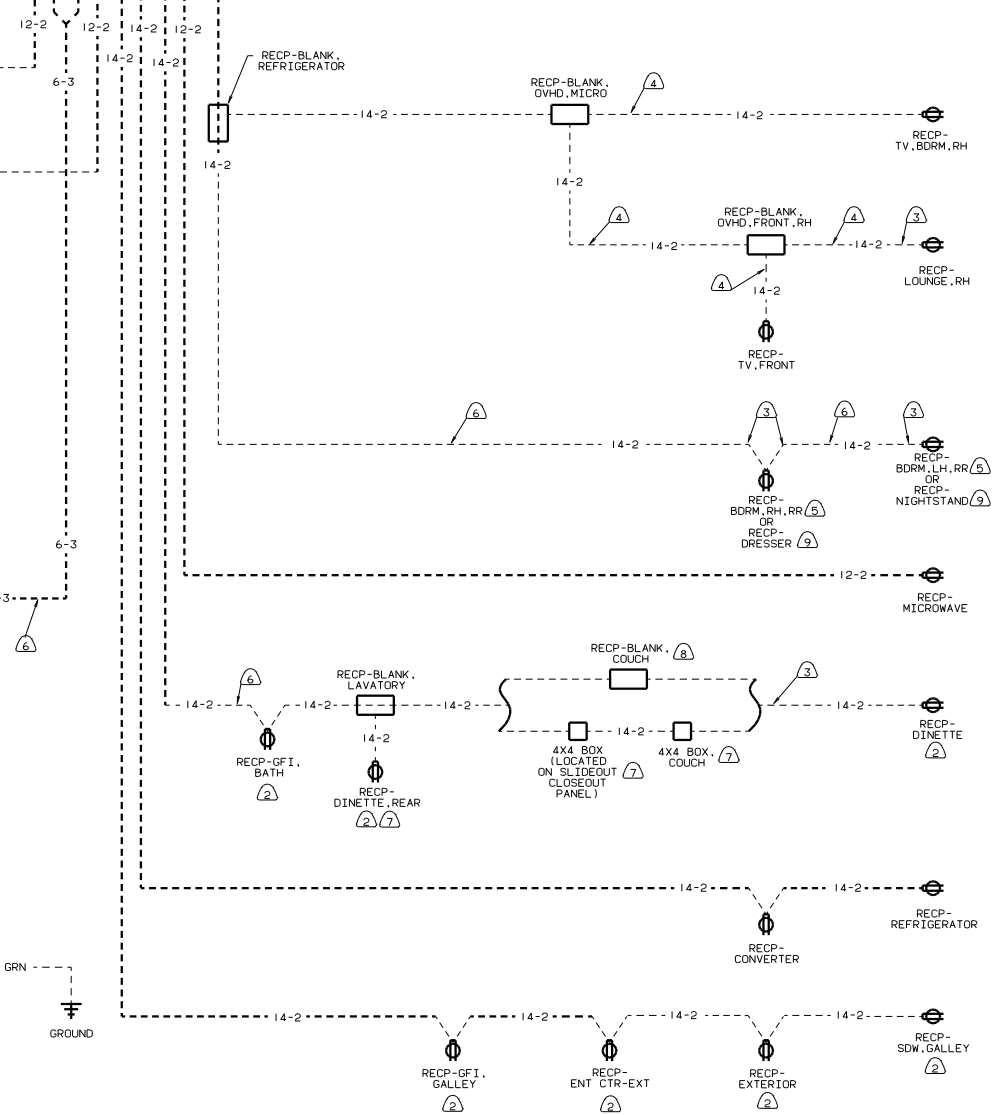
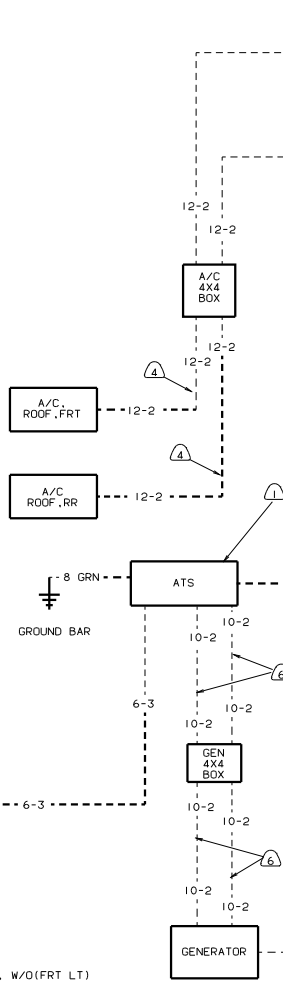
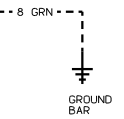
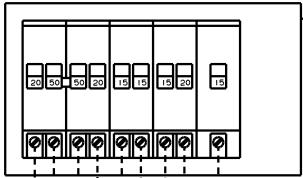
12D ELECTRICAL SYS-30 AMP
 IBI CODE STANDARDS-USA

WINNEBAGO 98 F & G35WQ

OF IN	DATE	UNDESIGNED TELECOMM. ARE.	MATERIAL
CHP	DATE	ONE-PLACE (9, 21)	
DFE	DATE	TWO-PLACE (9, 20)	
D/E	DATE	W/ANGLE	
CONP	DATE	INDIC W/ANGLE PROJECTION	

LABOR: _____ TITLE: _____
 WIRING DIAGRAM-BODY 110V
 SHEET 1 OF 4

LOAD CENTER

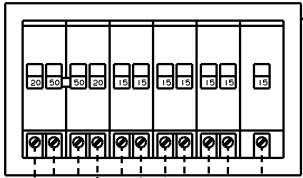


- (10) 49X BED-QUEEN
- (9) 45G BED-TWINS
- (8) 1AB SLIDE-OUT ROOM, W/O(FRT LT)
- (7) 09L SLIDE-OUT ROOM, FRT LT
- (6) WIRE ROUTED BELOW UPPER FLOOR.
- (5) 49X BED-QUEEN
- (4) WIRE ROUTED IN ROOF.
- (3) WIRE ROUTED THROUGH SIDEWALL.
- (2) PROTECTED BY GROUND FAULT INTERRUPTER RECP.
- (1) SEE MANUFACTURER'S WIRING DIAGRAM FOR ADDITIONAL INFORMATION

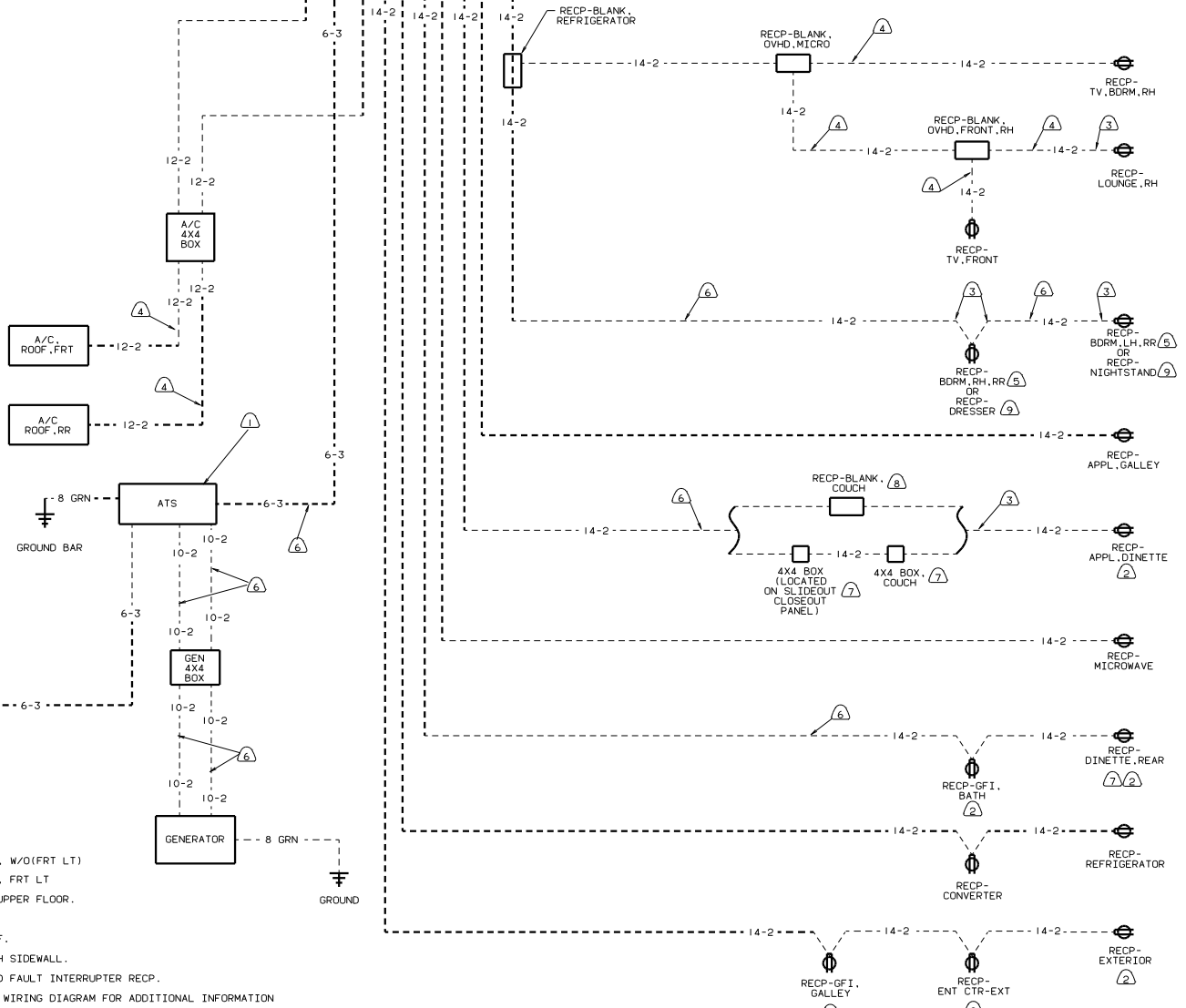
98 G35MP ONLY
 78J ELECTRICAL SYS-50 AMP
 IBI CODE STANDARDS-USA

TITLE: WIRING DIAGRAM-BODY	
DO NOT SCALE DRAWING	DATE
SHEET 3 OF 4	1.6
	126758

LOAD CENTER



GROUND BAR



- (9) 45G BED-TWINS
- (8) 1AB SLIDE-OUT ROOM, W/O(FRT LT)
- (7) 09L SLIDE-OUT ROOM, FRT LT
- (6) WIRE ROUTED BELOW UPPER FLOOR.
- (5) 49X BED-QUEEN
- (4) WIRE ROUTED IN ROOF.
- (3) WIRE ROUTED THROUGH SIDEWALL.
- (2) PROTECTED BY GROUND FAULT INTERRUPTER RECP.
- (1) SEE MANUFACTURER'S WIRING DIAGRAM FOR ADDITIONAL INFORMATION

98 G35MP ONLY
 78J ELECTRICAL SYS-50 AMP
 265 COODE STANDARDS-CSA

TITLE:	WIRING DIAGRAM-BODY
NO. OF SHEETS:	4
SHEET NO.:	4
DATE:	126758