



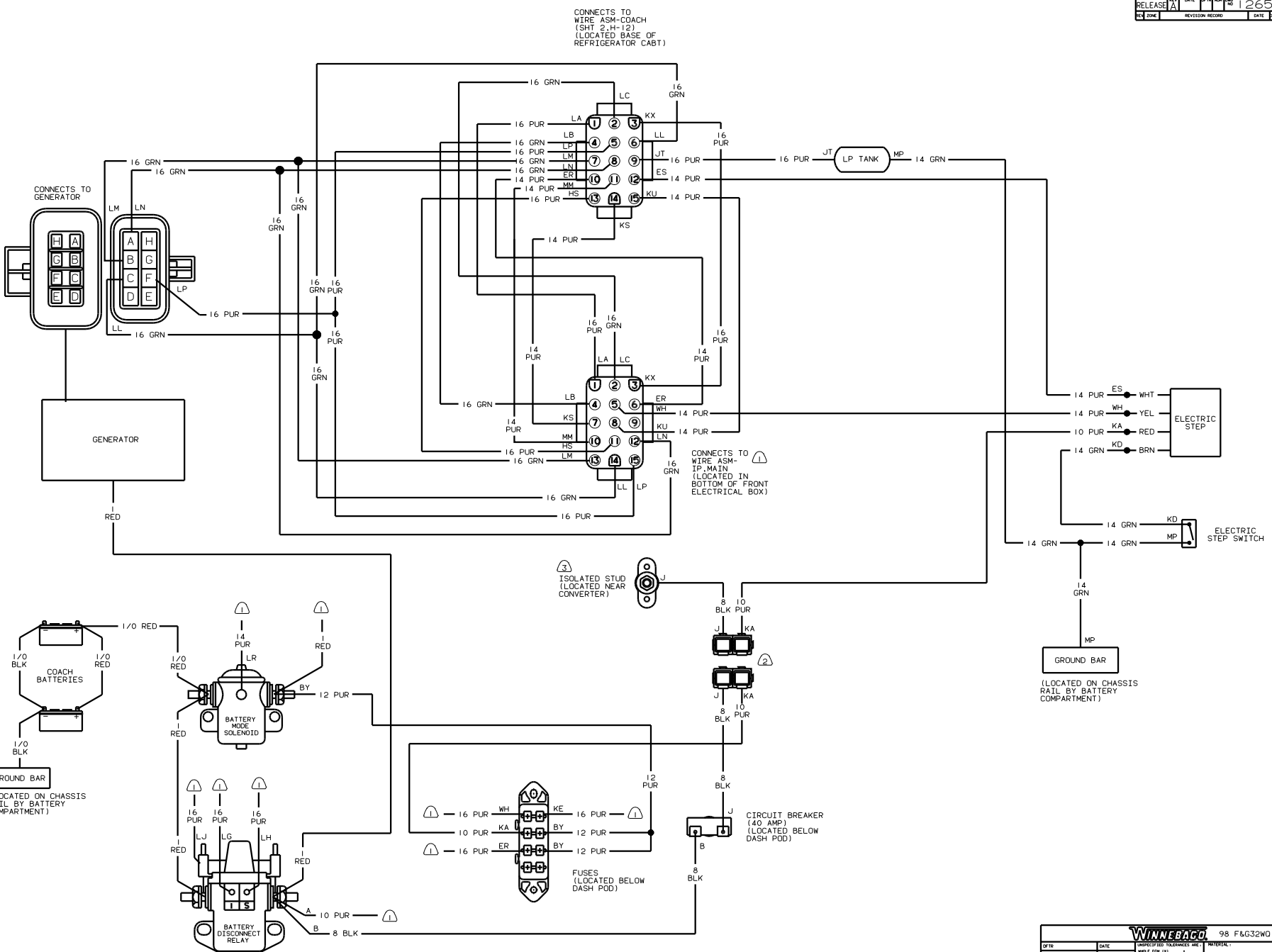
**DANGER**

**Danger of electrical shock, burns or death.** Always remove all power sources before attempting any repair, service or diagnostic work. Power can be present from shore power, generator, inverter or battery. All power sources must be disabled and secured before performing any service.



**CAUTION**

If you lack the skills, tools or equipment to perform diagnostic or repair work leave such work to an authorized Winnebago Industries dealer or other qualified shop.



- ③ SEE SHT 2 FOR ADDITIONAL INFORMATION.
- ② CONNECTION MADE IN FRONT ELECTRICAL BOX.
- ① SEE WIRING DIAGRAM-AUTO FOR ADDITIONAL INFORMATION.

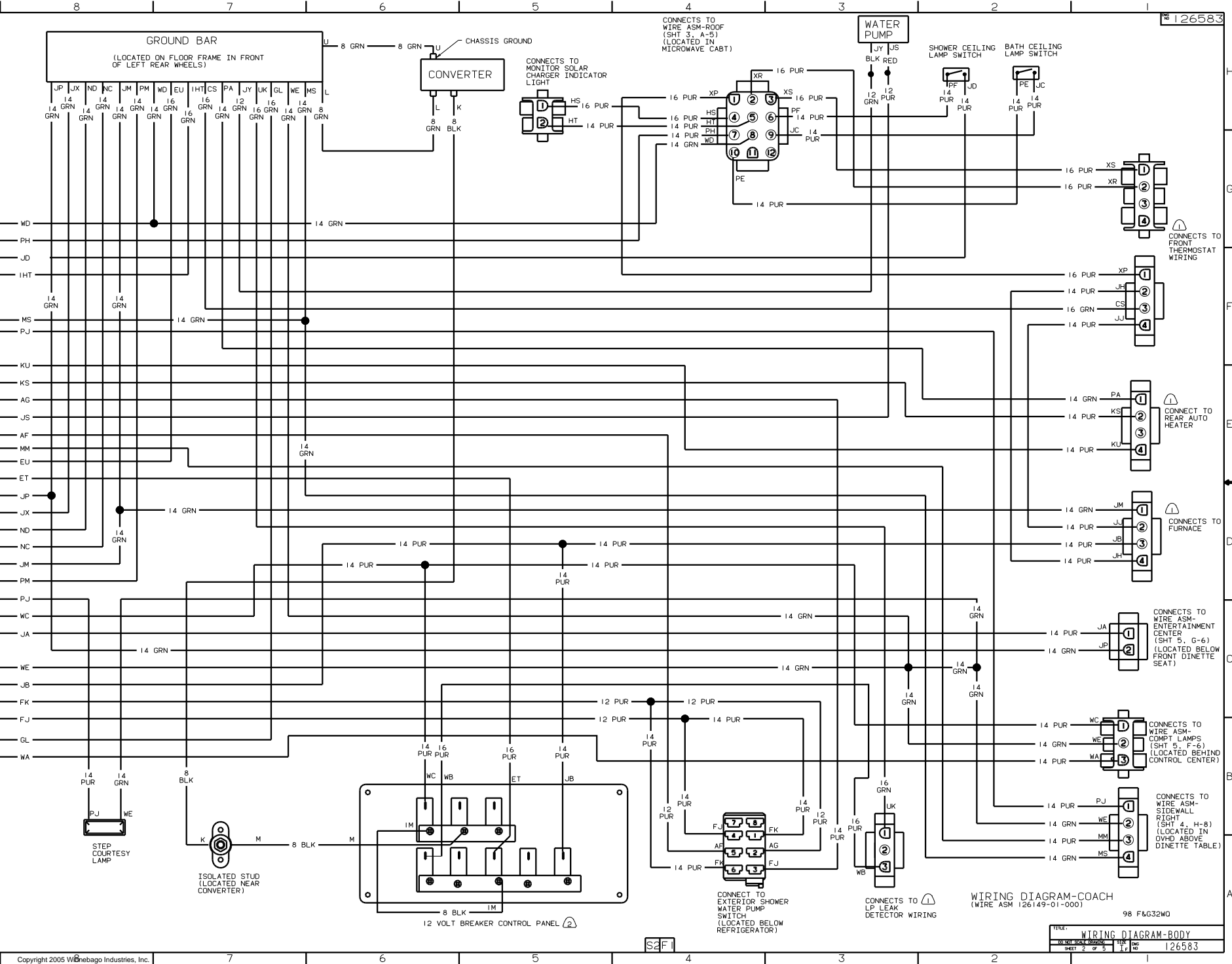
WIRING DIAGRAM-CHASSIS  
 (WIRE ASM 127255)

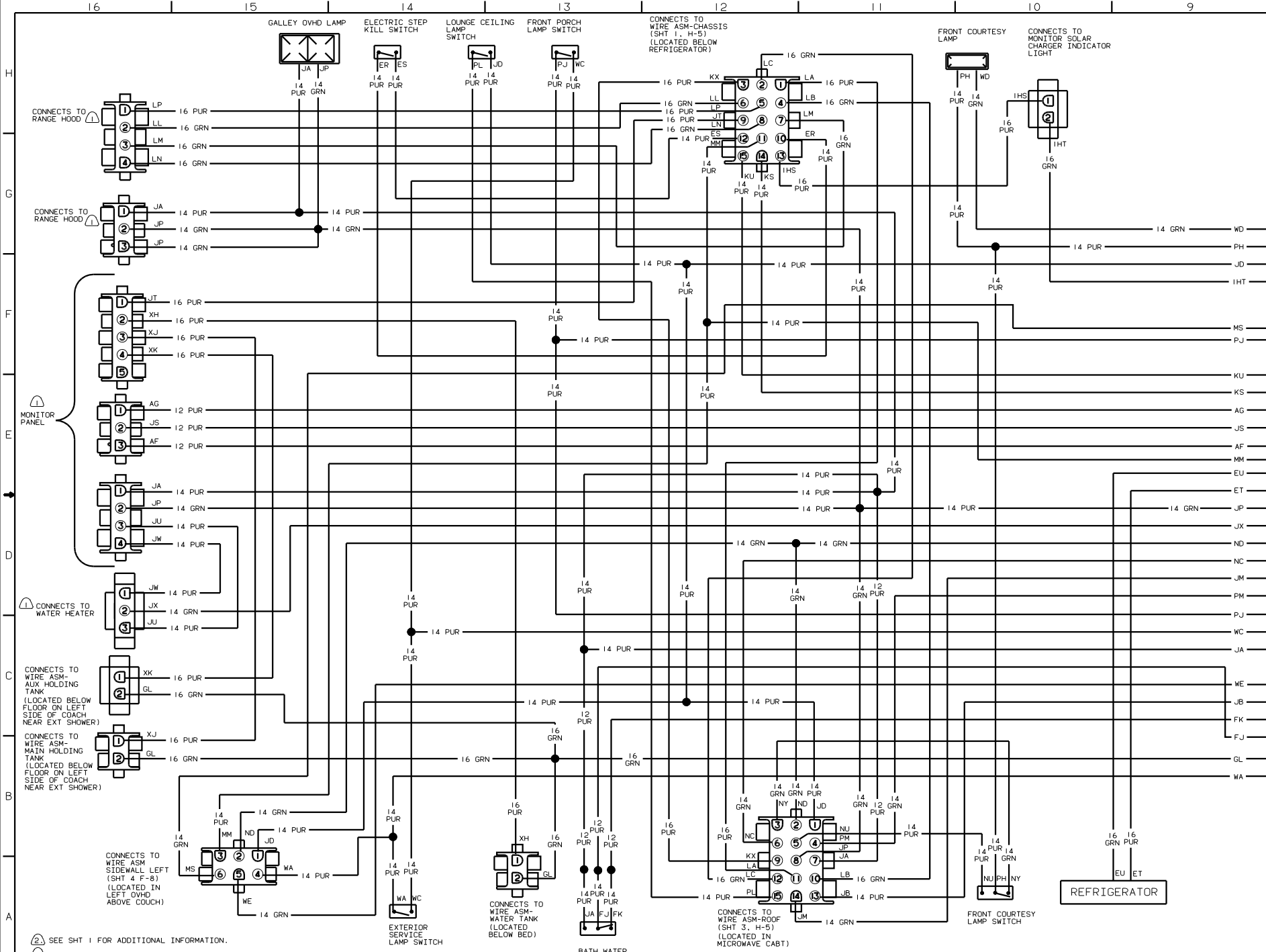
OF IN		DATE	UNDESIGNED TOLERANCES ARE	INVENTOR
CHP	DATE	WHILE ON 101		
DFE	DATE	ONE-PLACE 19.81		
DLE	DATE	TWO-PLACE 19.883		
COMR	DATE	THREE-PLACE 19.883		
DATE	DATE	FOUR-PLACE 19.883		
DATE	DATE	FIVE-PLACE 19.883		
DATE	DATE	SIX-PLACE 19.883		
DATE	DATE	SEVEN-PLACE 19.883		
DATE	DATE	EIGHT-PLACE 19.883		
DATE	DATE	NINE-PLACE 19.883		
DATE	DATE	TEN-PLACE 19.883		
DATE	DATE	ELEVEN-PLACE 19.883		
DATE	DATE	TWELVE-PLACE 19.883		
DATE	DATE	THIRTEEN-PLACE 19.883		
DATE	DATE	FOURTEEN-PLACE 19.883		
DATE	DATE	FIFTEEN-PLACE 19.883		
DATE	DATE	SIXTEEN-PLACE 19.883		
DATE	DATE	SEVENTEEN-PLACE 19.883		
DATE	DATE	EIGHTEEN-PLACE 19.883		
DATE	DATE	NINETEEN-PLACE 19.883		
DATE	DATE	TWENTY-PLACE 19.883		

WINNEBAGO 98 F&G32W0

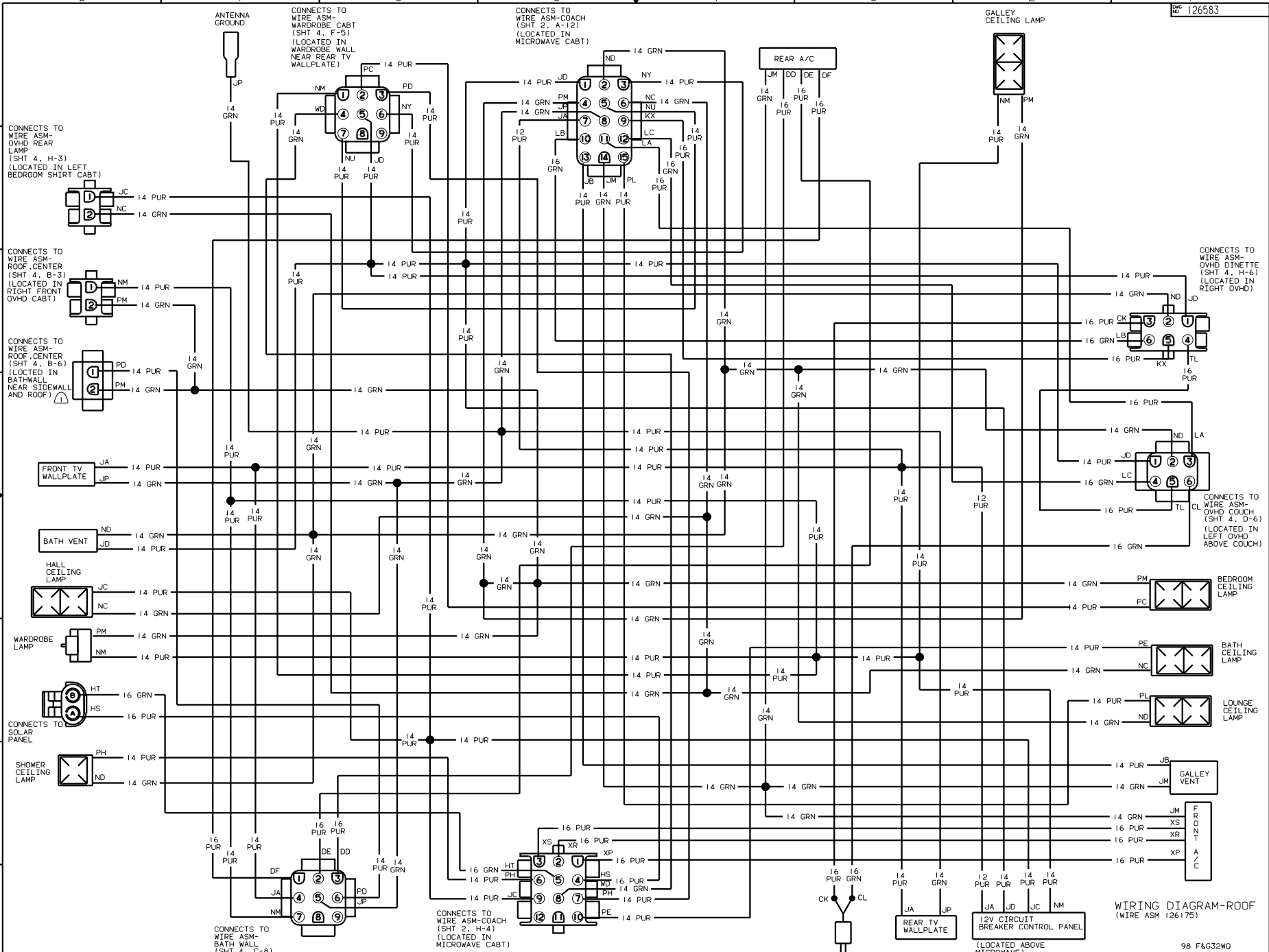
WIRING DIAGRAM-BODY

126583





NOTES:  
 (2) SEE SHT 1 FOR ADDITIONAL INFORMATION.  
 (1) SEE MANUFACTURER'S DIAGRAM FOR ADDITIONAL INFORMATION.



CONNECTS TO WIRE ASM-OVHD REAR LAMP (SHT 4, H-3) (LOCATED IN LEFT BEDROOM SHIRT CABT)

CONNECTS TO WIRE ASM-ROOF-CENTER (SHT 4, B-3) (LOCATED IN RIGHT FRONT OVHD CABT)

CONNECTS TO WIRE ASM-ROOF-CENTER (SHT 4, B-6) (LOCATED IN BATHWALL NEAR SIDEWALL AND ROOF)

FRONT TV WALLPLATE

BATH VENT

HALL CEILING LAMP

WARDROBE LAMP

CONNECTS TO SOLAR PANEL

SHOWER CEILING LAMP

CONNECTS TO WIRE ASM-BATH WALL (SHT 4, C-8) (LOCATED IN BATHWALL NEAR SIDEWALL AND ROOF)

CONNECTS TO WIRE ASM-COACH (SHT 2, H-4) (LOCATED IN MICROWAVE CABT)

CONNECTS TO WIRE ASM-COACH (SHT 2, A-12) (LOCATED IN MICROWAVE CABT)

CONNECTS TO WIRE ASM-OVHD DINETTE (SHT 4, H-6) (LOCATED IN RIGHT OVHD)

CONNECTS TO WIRE ASM-OVHD COUCH (SHT 4, D-6) (LOCATED IN LEFT OVHD ABOVE COUCH)

BEDROOM CEILING LAMP

BATH CEILING LAMP

LOUNGE CEILING LAMP

GALLEY VENT

REAR TV WALLPLATE

GALLEY CEILING LAMP

12V CIRCUIT BREAKER CONTROL PANEL (LOCATED ABOVE MICROWAVE)

TO TV SPEAKER JACK

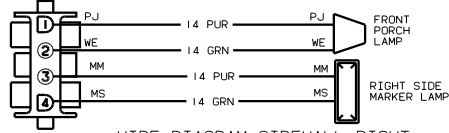
WIRING DIAGRAM-ROOF (WIRE ASM 126175)

98 F&G32WO

TITLE		WIRING DIAGRAM-BODY	
DO NOT SCALE DRAWING	DATE	REV	NO
SHEET 3 OF 5	1.6		

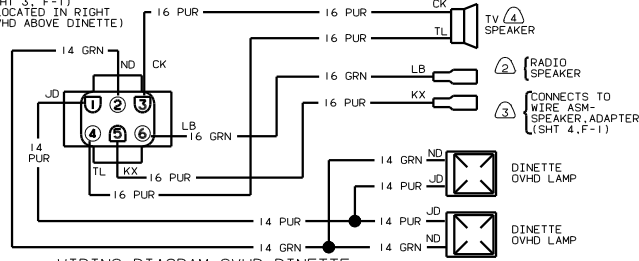
NOTES: USE WITH G-SERIES UNITS.

CONNECTS TO WIRE ASM-COACH (SHT 2, B-1) (LOCATED IN OVHD ABOVE DINETTE TABLE)



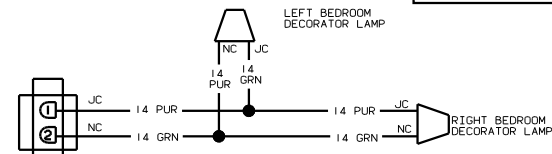
WIRE DIAGRAM SIDEWALL, RIGHT  
(WIRE ASM 127265-01)

CONNECTS TO WIRE ASM-ROOF (SHT 3, F-1) (LOCATED IN RIGHT OVHD ABOVE DINETTE)



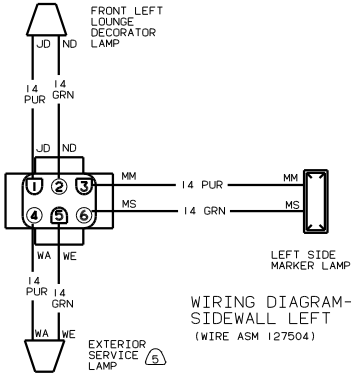
WIRING DIAGRAM OVHD DINETTE  
(WIRE ASM 126076-02)

LEFT BEDROOM DECORATOR LAMP



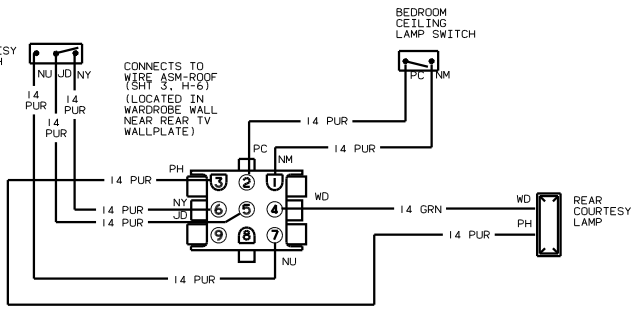
WIRING DIAGRAM OVHD  
(WIRE ASM 122279-01)

CONNECTS TO WIRE ASM-COACH (SHT 2, A-15) (LOCATED IN LEFT OVHD ABOVE COUCH)



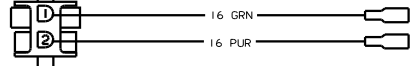
WIRING DIAGRAM SIDEWALL LEFT  
(WIRE ASM 127504)

CONNECTS TO WIRE ASM-ROOF (SHT 3, H-6) (LOCATED IN WARDROBE WALL NEAR REAR TV WALLPLATE)



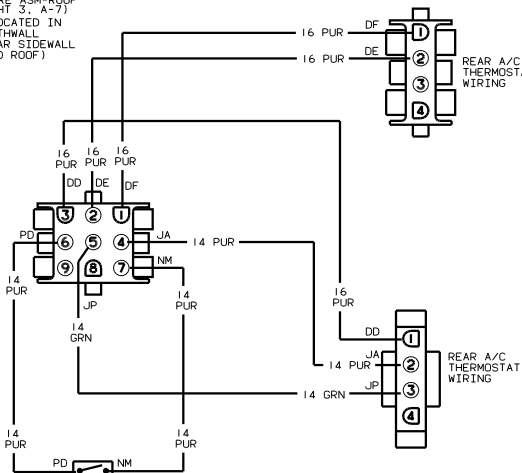
WIRING DIAGRAM WARDROBE CABT  
(WIRE ASM 123010)

CONNECTS TO WIRE ASM-OVHD DINETTE (SHT 4, C-4) OR WIRE ASM-OVHD DINETTE (SHT 4, H-4)



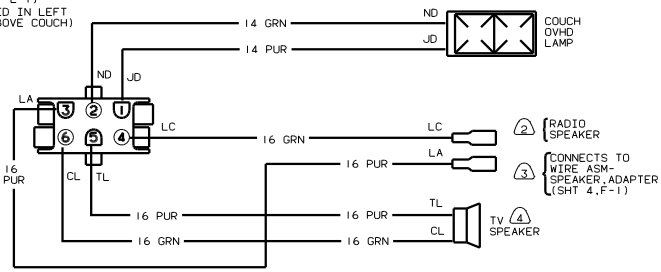
WIRING DIAGRAM-SPEAKER, ADAPTER  
(WIRE ASM-124843)

CONNECTS TO WIRE ASM-ROOF (SHT 3, A-7) (LOCATED IN BATHWALL NEAR SIDEWALL AND ROOF)



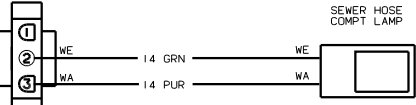
WIRING DIAGRAM BATH WALL  
(WIRE ASM 123011)

CONNECTS TO WIRE ASM-ROOF (SHT 3, E-1) (LOCATED IN LEFT OVHD ABOVE COUCH)

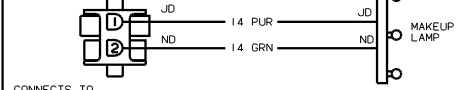


WIRING DIAGRAM OVHD SPEAKERS  
(WIRE ASM 123008)

WIRE ASM-COACH (SHT 2, B-1) (LOCATED IN SEWER COMPT)

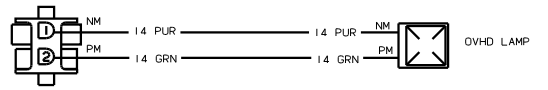


WIRING DIAGRAM-COMPT LAMPS  
(WIRE ASM 127792-01)



WIRING DIAGRAM ROOF, CENTER  
(WIRE ASM 77093-03)

CONNECTS TO WIRE ASM-ROOF (SHT 3, F-8) (LOCATED IN FRONT RIGHT OVHD CABINET)

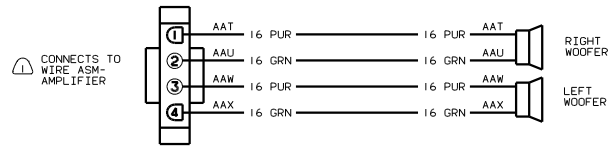
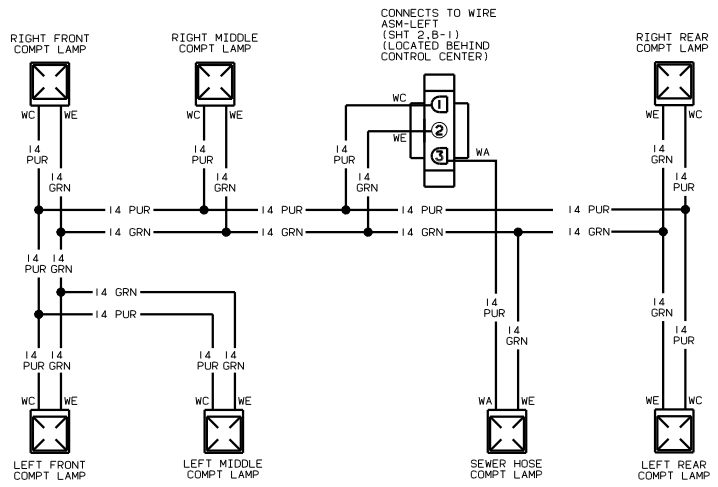
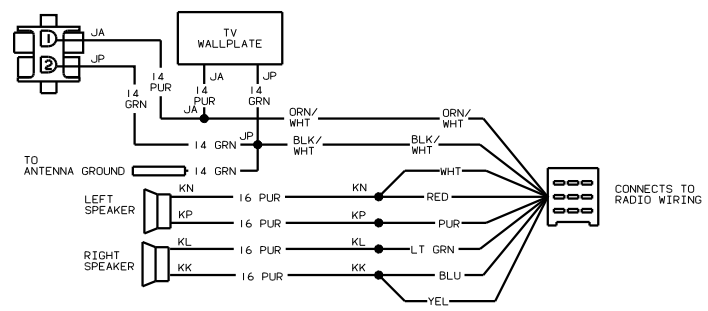


WIRING DIAGRAM ROOF, CENTER  
(WIRE ASM 77093-14)

- ⑤ USED WITH G-SERIES UNITS.
- ④ NOT USED WITH DELUXE SOUND.
- ③ WITH DELUXE SOUND.
- ② WITHOUT DELUXE SOUND.
- ① SEE WIRING DIAGRAM-AUTO FOR ADDITIONAL INFORMATION.

98 F&G32W0

CONNECTS TO WIRE ASM RIGHT (SHT 2,C-1) (LOCATED BELOW FRONT DINETTE SEAT)



- Ⓜ USE WITH G-SERIES UNITS ONLY.
- Ⓜ WITH DELUXE SOUND.
- Ⓜ SEE WIRING DIAGRAM-AUTO FOR ADDITIONAL INFORMATION.