



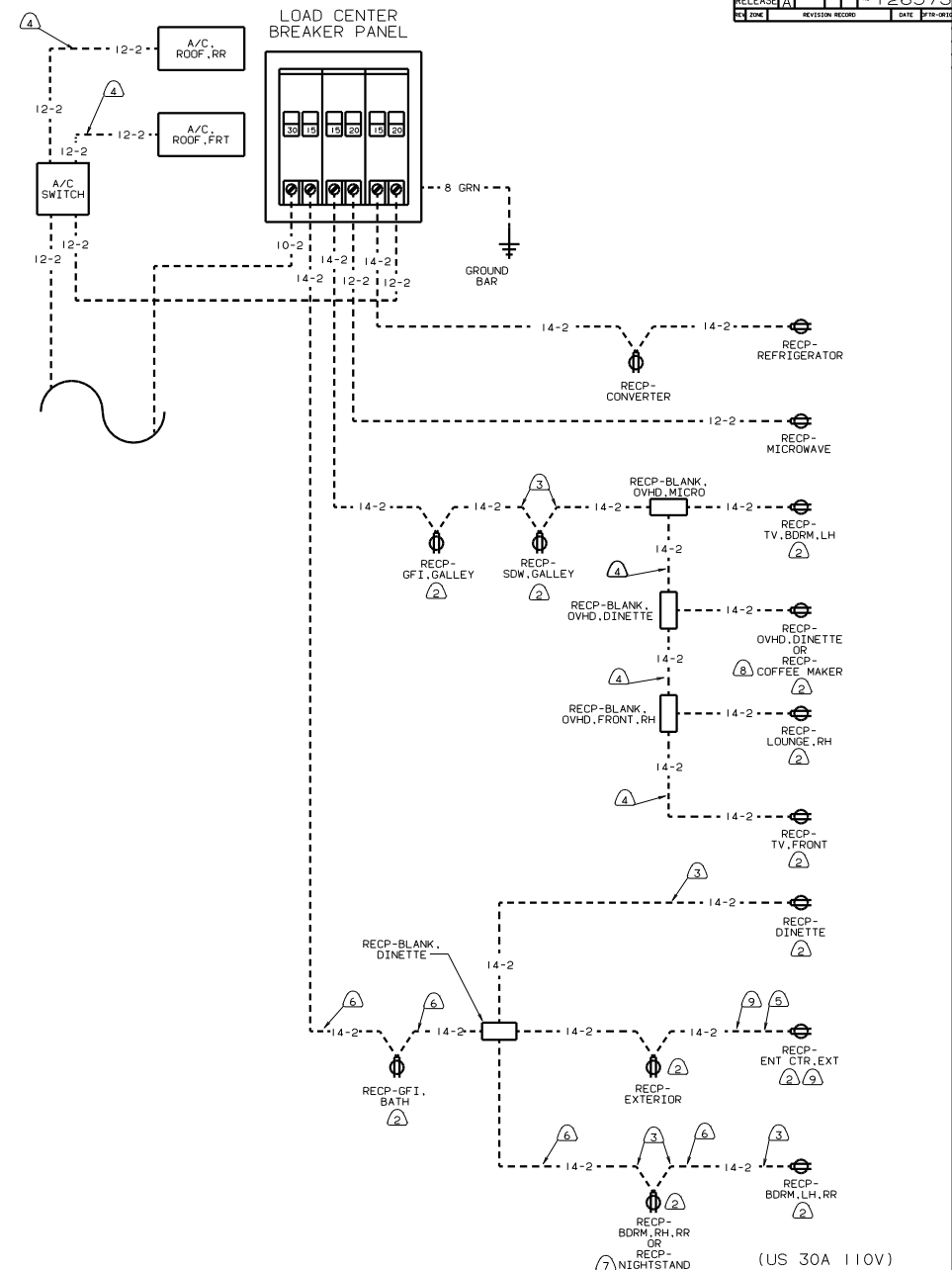
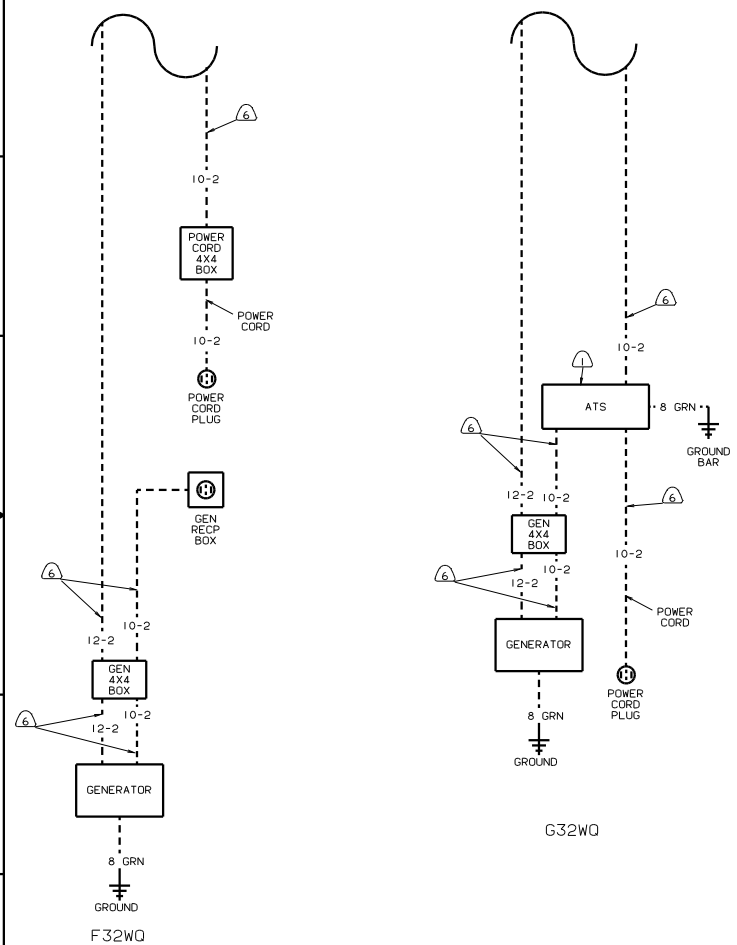
DANGER

Danger of electrical shock, burns or death. Always remove all power sources before attempting any repair, service or diagnostic work. Power can be present from shore power, generator, inverter or battery. All power sources must be disabled and secured before performing any service.



CAUTION

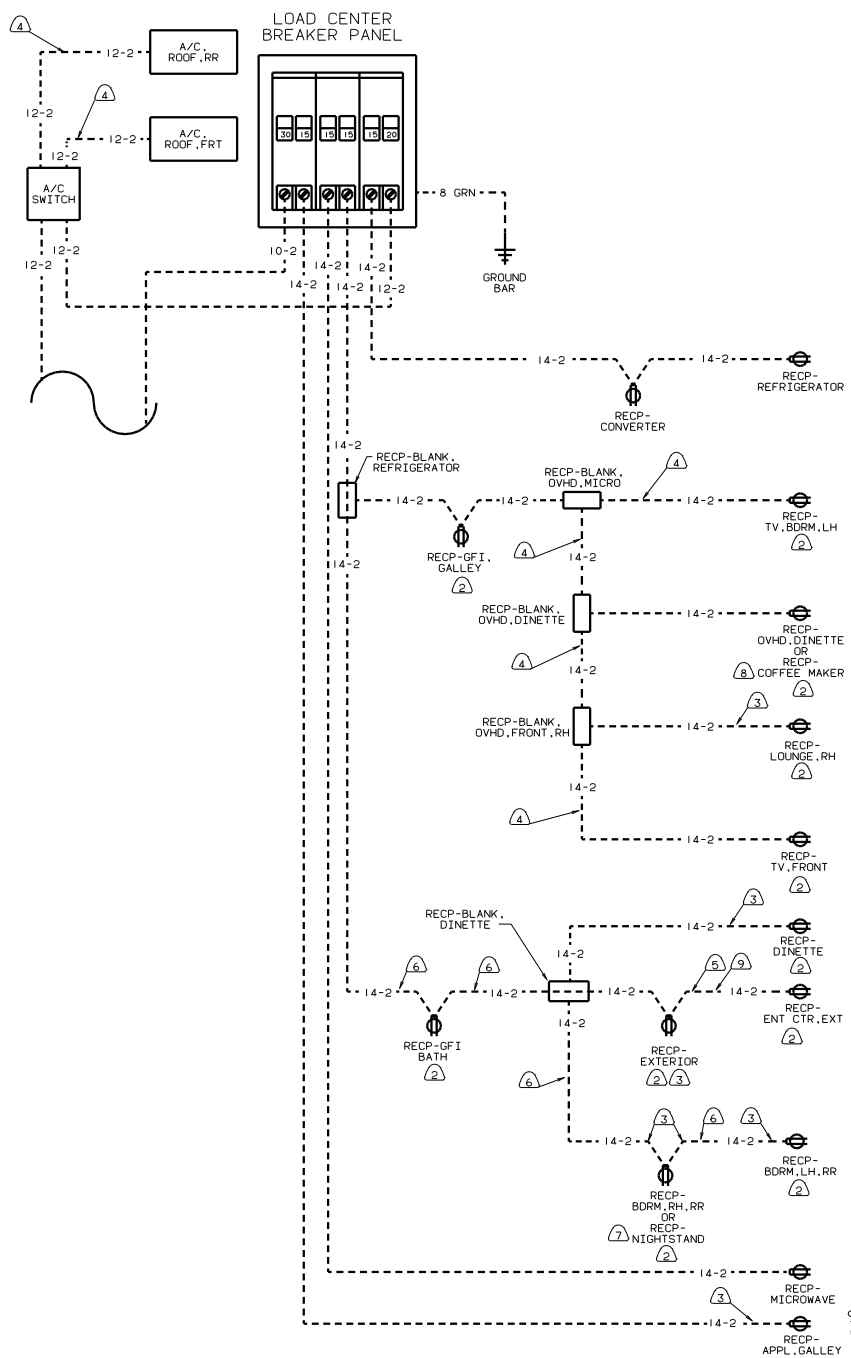
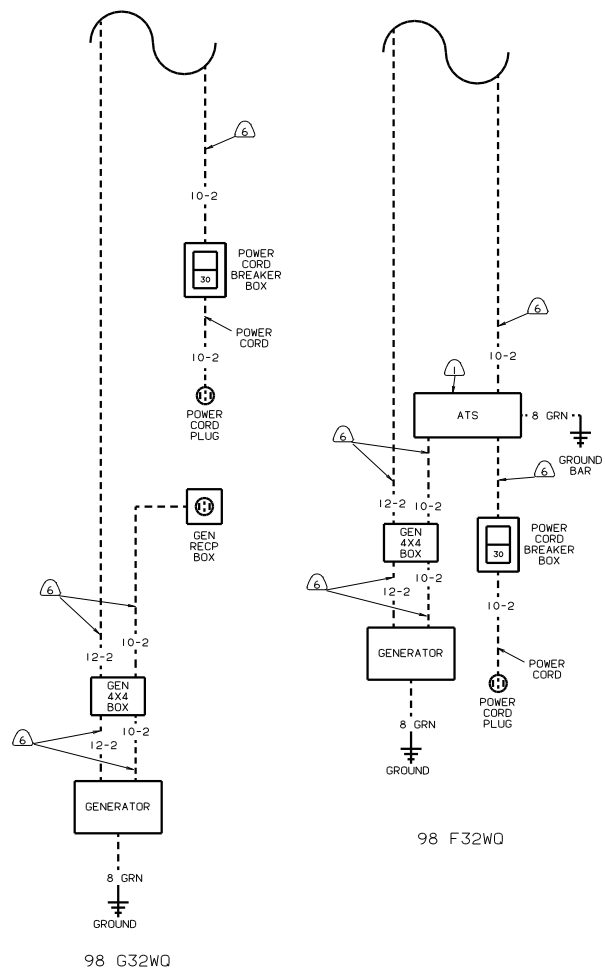
If you lack the skills, tools or equipment to perform diagnostic or repair work leave such work to an authorized Winnebago Industries dealer or other qualified shop.



- (9) USED WITH ENT CTR, EXT
- (8) USED WITH COFFEE MAKER
- (7) USED WITH TWIN BEDS
- (6) WIRE ROUTED BELOW MAIN FLOOR.
- (5) WIRE ROUTED THROUGH FLOOR
- (4) WIRE ROUTED IN ROOF.
- (3) WIRE ROUTED IN SIDEWALL.
- (2) PROTECTED BY GROUND FAULT INTERRUPTER RECP.
- (1) SEE MANUFACTURER'S WIRING DIAGRAM FOR ADDITIONAL INFORMATION

(US 30A 110V)

WINNEBAGO		98 F & G32WQ
OF IN	DATE	UNDESIGNED DIMENSIONS ARE MATERIAL
CHP	DATE	WHOLE OR 1/2"
DFE	DATE	ONE-PLACE (1/2, 1/4)
DFE	DATE	TWO-PLACE (1/2, 1/4)
DFE	DATE	ANGLE
COMP	DATE	INDICATE WIRE PRODUCTION
LANE #	TITLE	
REV #	SCALE	NO. OF SHEETS
ALL DIMENSIONS ARE IN MILLIMETERS	SHEET 1 OF 4	126573

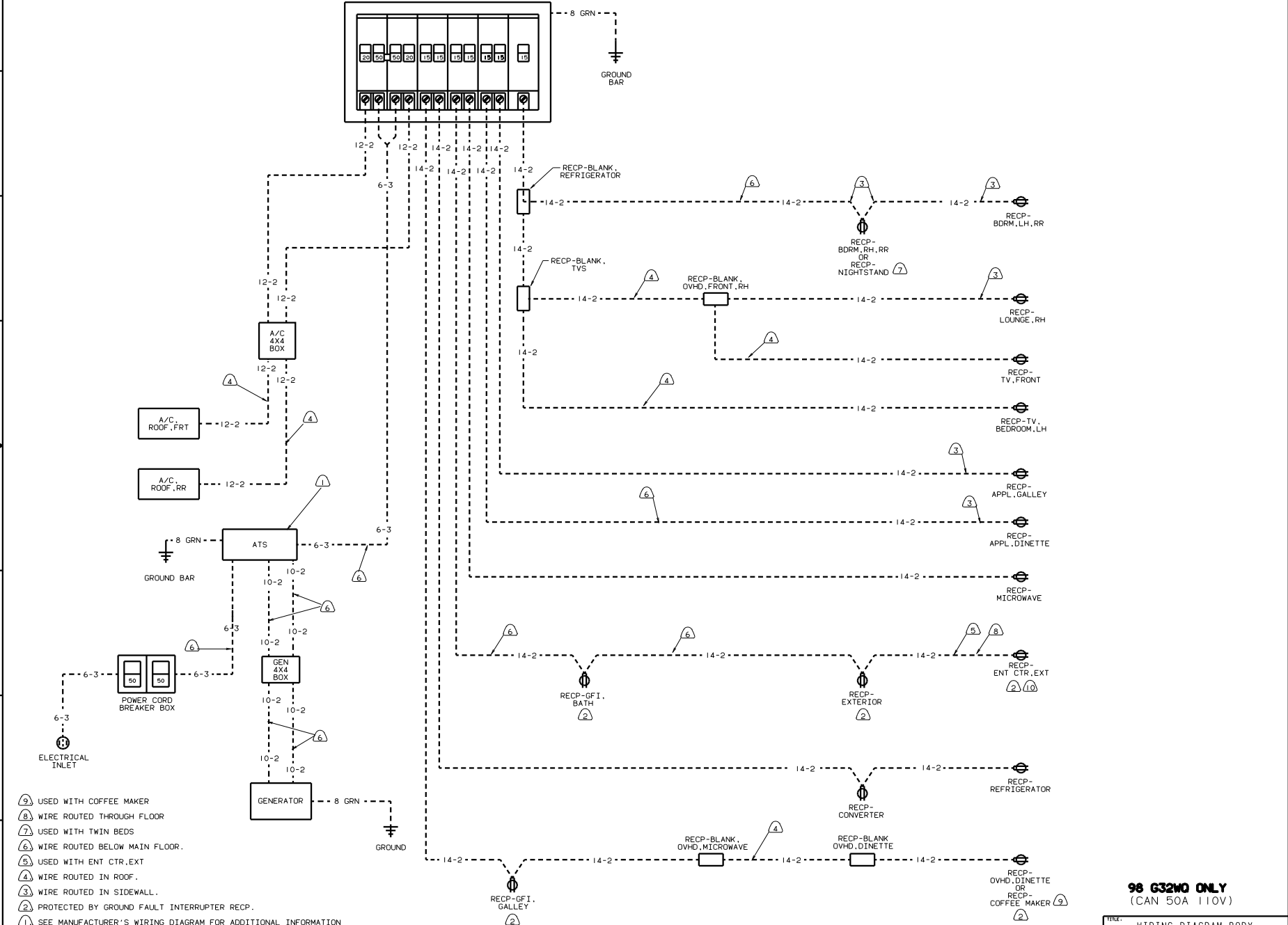
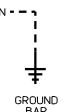
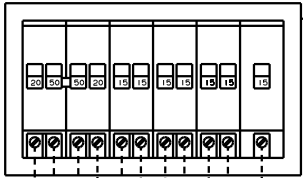


- ⑨ USED WITH ENT CTR, EXT
- ⑧ USED WITH COFFEE MAKER
- ⑦ USED WITH TWIN BEDS
- ⑥ WIRE ROUTED BELOW MAIN FLOOR.
- ⑤ WIRE ROUTED THROUGH FLOOR
- ④ WIRE ROUTED IN ROOF.
- ③ WIRE ROUTED IN SIDEWALL.
- ② PROTECTED BY GROUND FAULT INTERRUPTER RECP.
- ① SEE MANUFACTURER'S WIRING DIAGRAM FOR ADDITIONAL INFORMATION

TITLE		WIRING DIAGRAM-BODY	
NO. OF SHEETS	4	SHEET NO.	2
DATE		126573	

98 F & G32WQ
(CAN 30A 110V)

LOAD CENTER
BREAKER PANEL



- ⑨ USED WITH COFFEE MAKER
- ⑧ WIRE ROUTED THROUGH FLOOR
- ⑦ USED WITH TWIN BEDS
- ⑥ WIRE ROUTED BELOW MAIN FLOOR.
- ⑤ USED WITH ENT CTR. EXT
- ④ WIRE ROUTED IN ROOF.
- ③ WIRE ROUTED IN SIDEWALL.
- ② PROTECTED BY GROUND FAULT INTERRUPTER RECP.
- ① SEE MANUFACTURER'S WIRING DIAGRAM FOR ADDITIONAL INFORMATION

98 G32WO ONLY
(CAN 50A 110V)

TITLE: WIRING DIAGRAM-BODY	
NO. OF SHEETS: 4	SHEET NO: 4
DATE: 11/16/05	REV: 1
126573	