



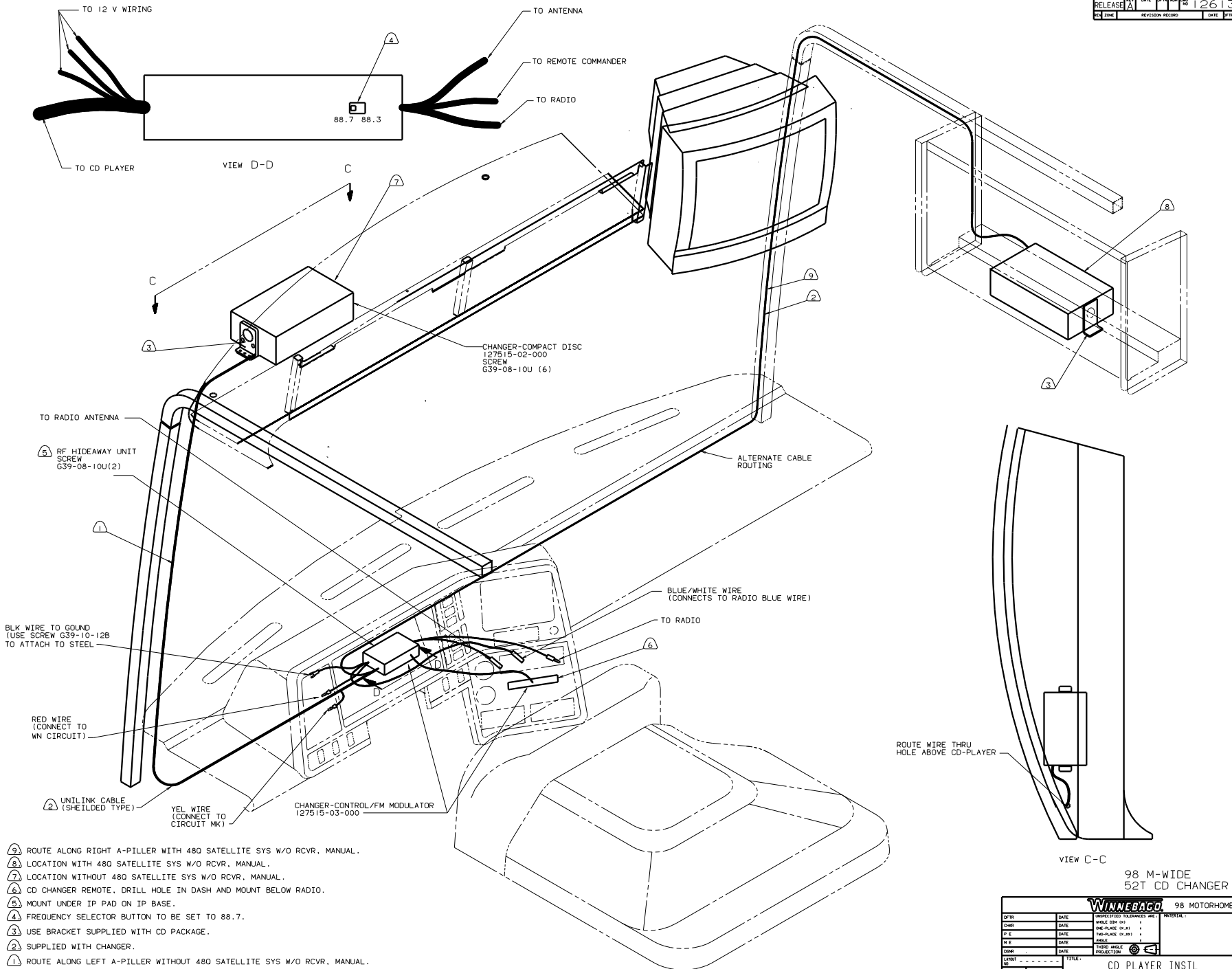
DANGER

Danger of electrical shock, burns or death. Always remove all power sources before attempting any repair, service or diagnostic work. Power can be present from shore power, generator, inverter or battery. All power sources must be disabled and secured before performing any service.



CAUTION

If you lack the skills, tools or equipment to perform diagnostic or repair work leave such work to an authorized Winnebago Industries dealer or other qualified shop.

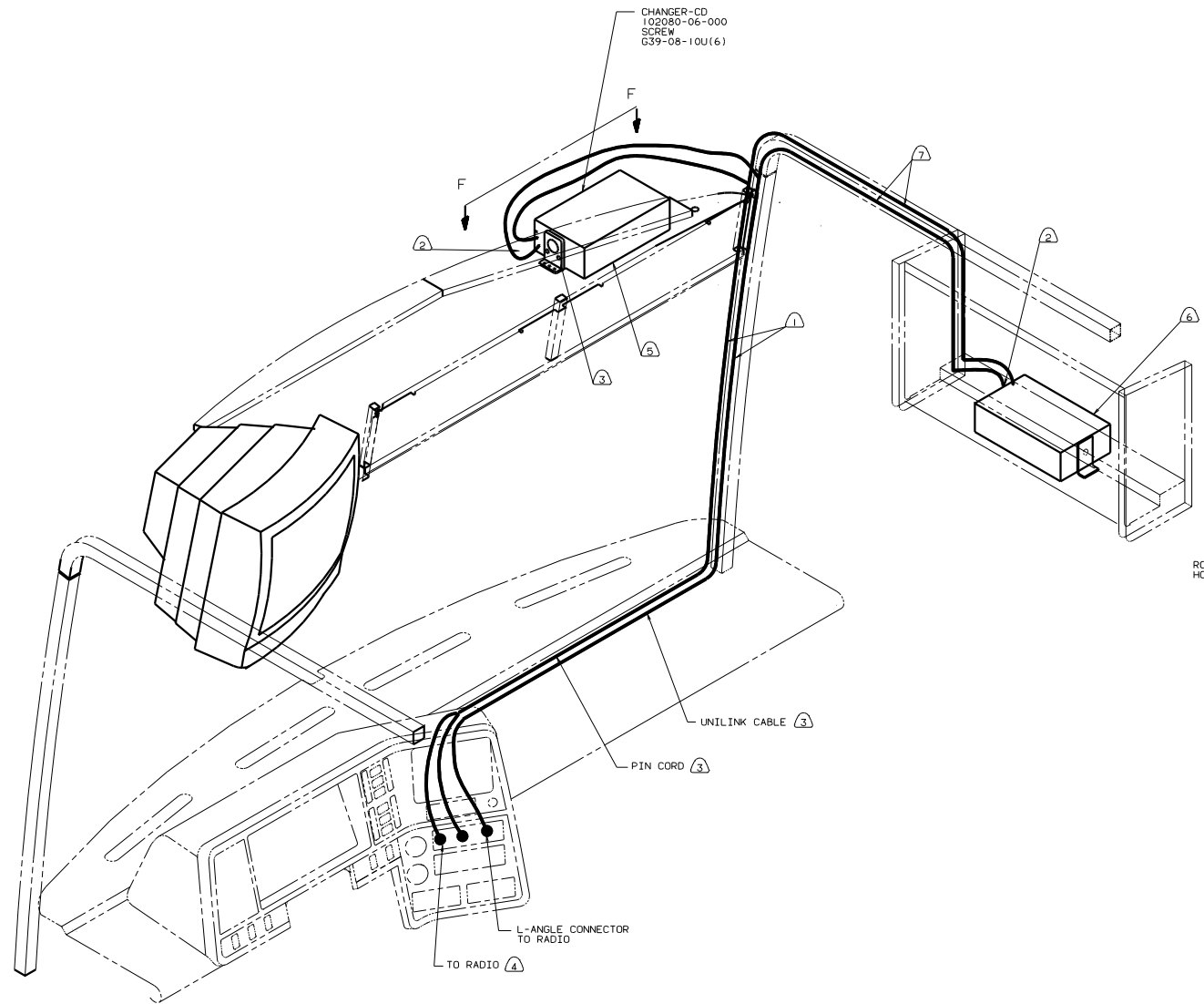


- ⑨ ROUTE ALONG RIGHT A-PILLER WITH 480 SATELLITE SYS W/O RCVR. MANUAL.
- ⑧ LOCATION WITH 480 SATELLITE SYS W/O RCVR. MANUAL.
- ⑦ LOCATION WITHOUT 480 SATELLITE SYS W/O RCVR. MANUAL.
- ⑥ CD CHANGER REMOTE. DRILL HOLE IN DASH AND MOUNT BELOW RADIO.
- ⑤ MOUNT UNDER IP PAD ON IP BASE.
- ④ FREQUENCY SELECTOR BUTTON TO BE SET TO 88.7.
- ③ USE BRACKET SUPPLIED WITH CD PACKAGE.
- ② SUPPLIED WITH CHANGER.
- ① ROUTE ALONG LEFT A-PILLER WITHOUT 480 SATELLITE SYS W/O RCVR. MANUAL.

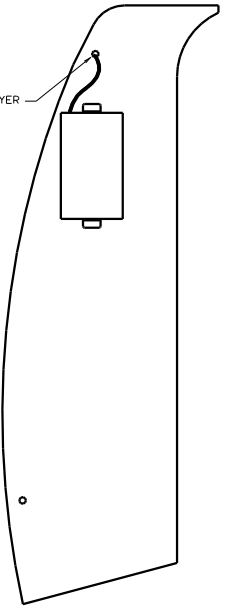
NOTES:

98 M-WIDE
52T CD CHANGER

WINNEBAGO		98 MOTORHOMES	
DATE	DATE	UNSPECIFIED TOLERANCES ARE:	MATERIAL
DATE	DATE	WHOLE DIMS (1)	
DATE	DATE	ONE-PLACE (1X.01)	
DATE	DATE	TWO-PLACE (1X.001)	
DATE	DATE	THREE-PLACE (1X.0001)	
DATE	DATE	FOUR-PLACE (1X.00001)	
DATE	DATE	FIVE-PLACE (1X.000001)	
DATE	DATE	SIX-PLACE (1X.0000001)	
DATE	DATE	SEVEN-PLACE (1X.00000001)	
DATE	DATE	EIGHT-PLACE (1X.000000001)	
DATE	DATE	NINE-PLACE (1X.0000000001)	
DATE	DATE	TEN-PLACE (1X.00000000001)	
DATE	DATE	UNSPECIFIED DIMENSIONS ARE:	
DATE	DATE	WHOLE DIMS (1)	
DATE	DATE	ONE-PLACE (1X.01)	
DATE	DATE	TWO-PLACE (1X.001)	
DATE	DATE	THREE-PLACE (1X.0001)	
DATE	DATE	FOUR-PLACE (1X.00001)	
DATE	DATE	FIVE-PLACE (1X.000001)	
DATE	DATE	SIX-PLACE (1X.0000001)	
DATE	DATE	SEVEN-PLACE (1X.00000001)	
DATE	DATE	EIGHT-PLACE (1X.000000001)	
DATE	DATE	NINE-PLACE (1X.0000000001)	
DATE	DATE	TEN-PLACE (1X.00000000001)	
DATE	DATE	UNSPECIFIED DIMENSIONS ARE:	
DATE	DATE	WHOLE DIMS (1)	
DATE	DATE	ONE-PLACE (1X.01)	
DATE	DATE	TWO-PLACE (1X.001)	
DATE	DATE	THREE-PLACE (1X.0001)	
DATE	DATE	FOUR-PLACE (1X.00001)	
DATE	DATE	FIVE-PLACE (1X.000001)	
DATE	DATE	SIX-PLACE (1X.0000001)	
DATE	DATE	SEVEN-PLACE (1X.00000001)	
DATE	DATE	EIGHT-PLACE (1X.000000001)	
DATE	DATE	NINE-PLACE (1X.0000000001)	
DATE	DATE	TEN-PLACE (1X.00000000001)	



ROUTE WIRE THRU HOLE ABOVE CD PLAYER

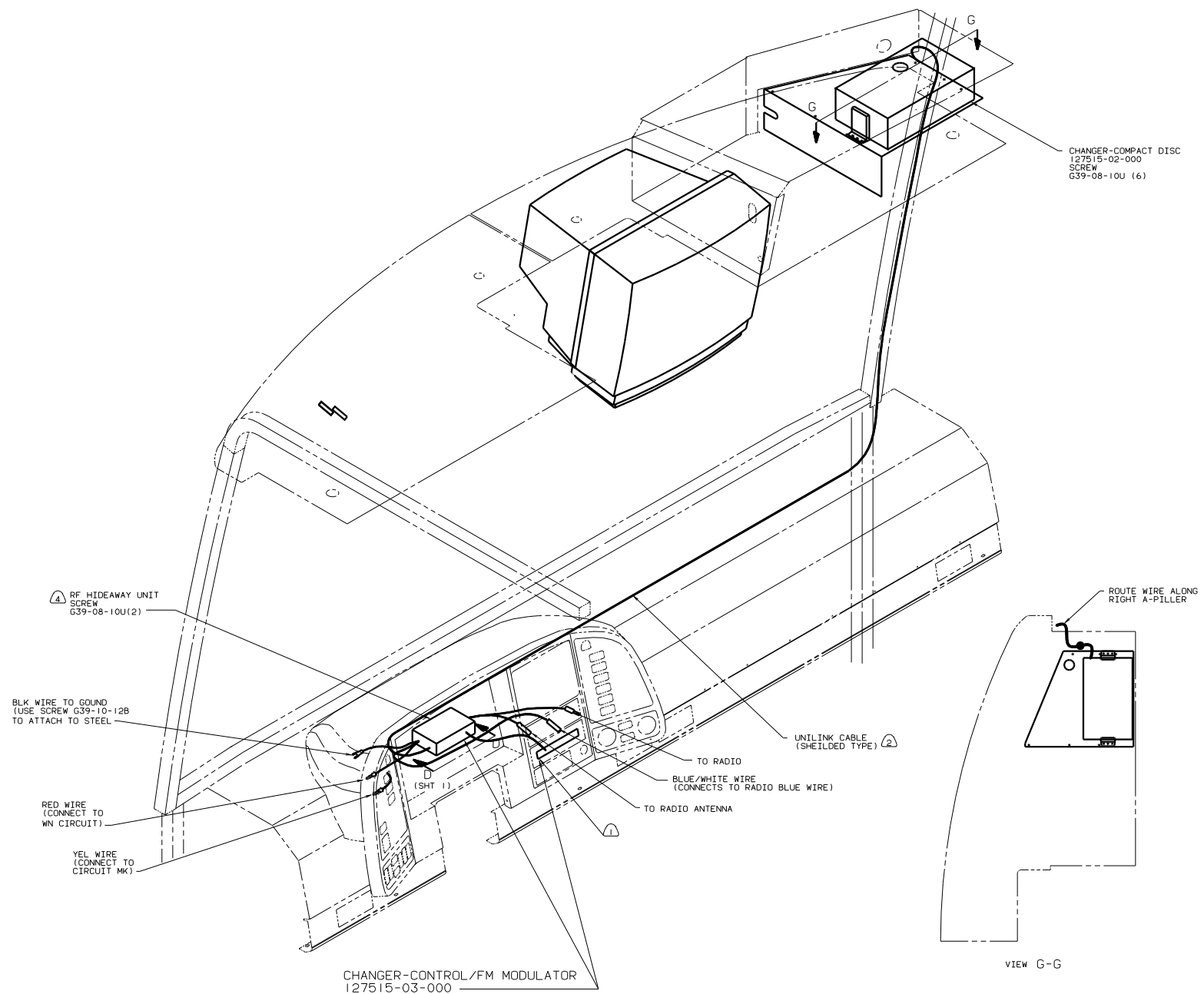


VIEW F-F

- ⑦ ALTERNATE ROUTING WITH 480 SATELLITE SYS W/O RCVR. MANUAL OR 78K SATELLITE SYS W/O REC. POWER
- ⑥ LOCATION WITH 480 SATELLITE SYS W/O RCVR. MANUAL OR 78K SATELLITE SYS W/O REC. POWER
- ⑤ LOCATION WITHOUT 480 SATELLITE SYS W/O RCVR. MANUAL OR 78K SATELLITE SYS W/O REC. POWER
- ④ SEE RADIO INSTALLATION FOR RADIO P/N.
- ③ SUPPLIED WITH CHANGER.
- ② SEE SHT 3 FOR ADDITIONAL INFORMATION.
- ① ROUTED ALONG RIGHT A-PILLAR.

98 0-SERIES
52T CD CHANGER OR
21V SOUND SYSTEM-DLX

TITLE		CD PLAYER INSTL	
30 1/2" SCALE DRAWING	REV	1	126132
SHEET 2 OF 4	DATE		



④ RF HIDEAWAY UNIT SCREW G39-08-10U(2)

BLK WIRE TO GROUND (USE SCREW G39-10-12B TO ATTACH TO STEEL)

RED WIRE (CONNECT TO WN CIRCUIT)

YEL WIRE (CONNECT TO CIRCUIT MK)

UNILINK CABLE (SHIELDED TYPE) ②

TO RADIO

BLUE/WHITE WIRE (CONNECTS TO RADIO BLUE WIRE)

TO RADIO ANTENNA

CHANGER-COMPACT DISC 127515-02-000 SCREW G39-08-10U (6)

ROUTE WIRE ALONG RIGHT A-PILLER

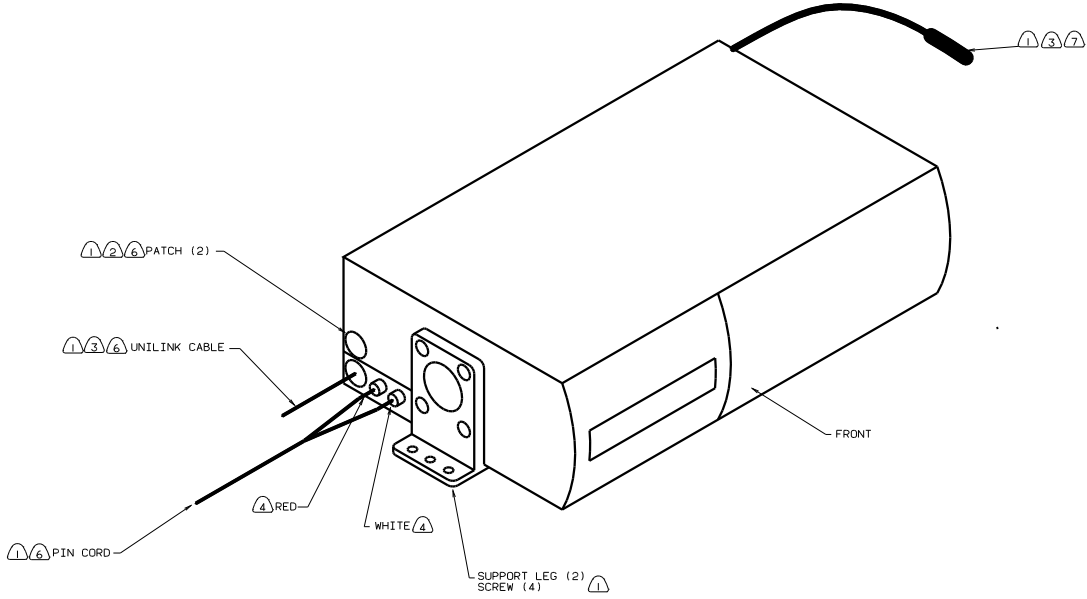
VIEW G-G

CHANGER-CONTROL/FM MODULATOR 127515-03-000

- NOTES:
- ④ MOUNT UNDER IP PAD ON IP BASE.
 - ③ USE BRACKET SUPPLIED WITH CD PACKAGE.
 - ② SUPPLIED WITH CHANGER.
 - ① CD CHANGER REMOTE. DRILL HOLE IN DASH AND MOUNT BELOW RADIO.

98 F.G&L-SERIES 52T CD CHANGER OR

TITLE		CD PLAYER INSTL	
30 X 10 SCALE DRAWING	REV	DATE	126132
SHEET 3 OF 4	1 E		



- ⑦ UNLINK CABLE ON THIS SIDE OF CHANGER 127515-02-000 ONLY.
- ⑥ Q-SERIES ONLY
- 5. SEE SHEETS 1, 2 & 3 FOR ADDITIONAL INFORMATION.
- ④ CONNECT PIN CORD CONNECTORS PER COLOR MATCH. RED TO RED. WHITE TO WHITE.
- ③ STRAIGHT CONNECTOR TO CD-CHANGER, L-CONNECTOR TO RADIO.
- ② COVER THE HOLES WHICH ARE NOT USED. WITH PATCH.
- ① SUPPLIED WITH CD CHANGER

NOTES:

TITLE		CD PLAYER INSTL	
DATE SCALE DRAWING	REV	ENG	NO
SHEET 4 OF 4	1		126132