



DANGER

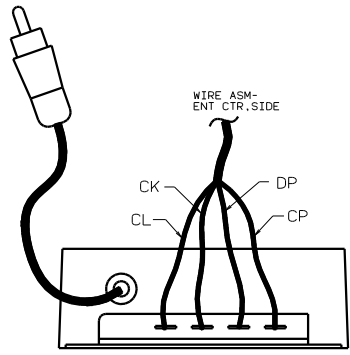
Danger of electrical shock, burns or death. Always remove all power sources before attempting any repair, service or diagnostic work. Power can be present from shore power, generator, inverter or battery. All power sources must be disabled and secured before performing any service.



CAUTION

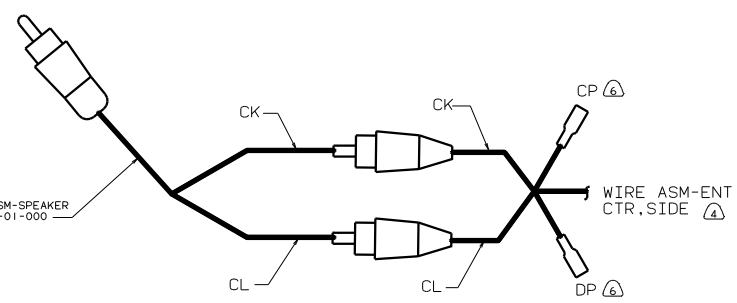
If you lack the skills, tools or equipment to perform diagnostic or repair work leave such work to an authorized Winnebago Industries dealer or other qualified shop.

TO TV SPEAKER OUTPUT JACK



DETAIL A (6)

TO TV SPEAKER OUTPUT JACK



DETAIL A (5)

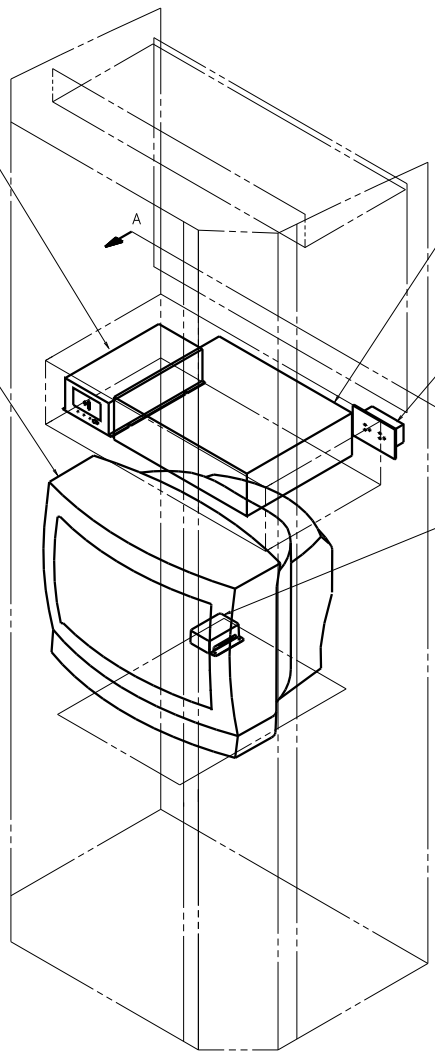
(2) INVERTER-130 WATT
 99048-03-000
 SCREW
 G67-08-08U(4)

(1) TV-19"
 124075-03-000

VCR-VHS
 124073-03-000
 FASTENER-DUAL LOCK
 85774-01-000
 85774-02-000 (3)

RECP
 86738-01-CHT

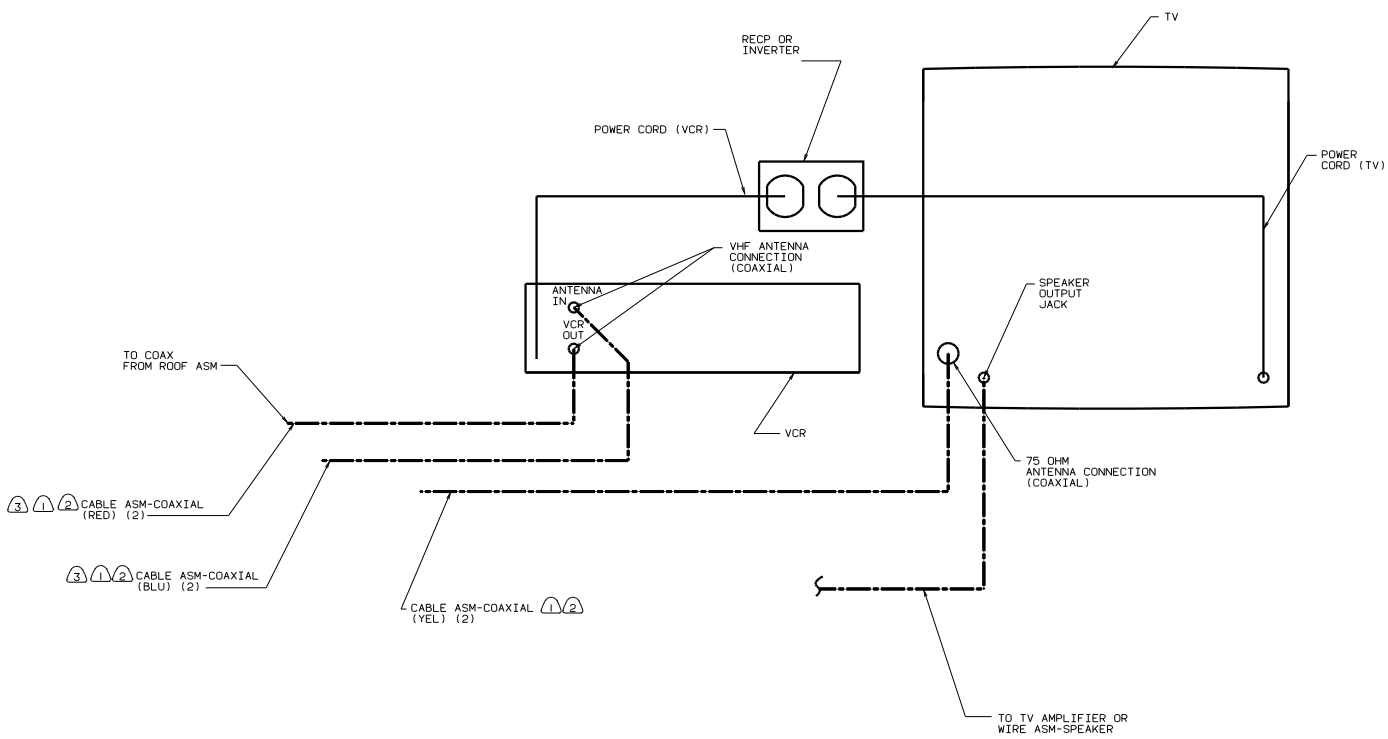
AMPLIFIER-TV
 115540-01-000
 FASTENER-DUAL LOCK
 85774-01-000
 85774-02-000
 (SEE DETAIL A) (1) (6)



- (6) NOT USED WITH 21V SOUND SYSTEM-DLX.
- (5) 21V SOUND SYSTEM-DLX.
- (4) SEE WIRING INSTL-BODY FOR ADDITIONAL INFORMATION.
- (3) 72H VCR W/REMOTE.
- (2) 40F INVERTER-DC/AC, 130W.
- (1) 42T TV-19" FRT & SW-SYS.

79H ENTERTAINMENT CTR-INT

OF IN		DATE	UNSPECIFIED TOLERANCES ARE:	INVERTAL
CHP	DATE	WHOLE DIM IN	+	
DYE	DATE	ONE-PLACE IN .01	.	
D/E	DATE	TWO-PLACE IN .001	.	
DATE	DATE	THREE-PLACE IN .0001	.	
DATE	DATE	FOUR-PLACE IN .00001	.	
DATE	DATE	FIVE-PLACE IN .000001	.	
DATE	DATE	SIX-PLACE IN .0000001	.	
DATE	DATE	SEVEN-PLACE IN .00000001	.	
DATE	DATE	EIGHT-PLACE IN .000000001	.	
DATE	DATE	NINE-PLACE IN .0000000001	.	
DATE	DATE	TEN-PLACE IN .00000000001	.	
DATE	DATE	ELEVEN-PLACE IN .000000000001	.	
DATE	DATE	TWELVE-PLACE IN .0000000000001	.	
DATE	DATE	THIRTEEN-PLACE IN .00000000000001	.	
DATE	DATE	FOURTEEN-PLACE IN .000000000000001	.	
DATE	DATE	FIFTEEN-PLACE IN .0000000000000001	.	
DATE	DATE	SIXTEEN-PLACE IN .00000000000000001	.	
DATE	DATE	SEVENTEEN-PLACE IN .000000000000000001	.	
DATE	DATE	EIGHTEEN-PLACE IN .0000000000000000001	.	
DATE	DATE	NINETEEN-PLACE IN .00000000000000000001	.	
DATE	DATE	TWENTY-PLACE IN .000000000000000000001	.	
DATE	DATE	TWENTY-ONE-PLACE IN .0000000000000000000001	.	
DATE	DATE	TWENTY-TWO-PLACE IN .00000000000000000000001	.	
DATE	DATE	TWENTY-THREE-PLACE IN .000000000000000000000001	.	
DATE	DATE	TWENTY-FOUR-PLACE IN .0000000000000000000000001	.	
DATE	DATE	TWENTY-FIVE-PLACE IN .00000000000000000000000001	.	
DATE	DATE	TWENTY-SIX-PLACE IN .000000000000000000000000001	.	
DATE	DATE	TWENTY-SEVEN-PLACE IN .0000000000000000000000000001	.	
DATE	DATE	TWENTY-EIGHT-PLACE IN .00000000000000000000000000001	.	
DATE	DATE	TWENTY-NINE-PLACE IN .000000000000000000000000000001	.	
DATE	DATE	THIRTY-PLACE IN .0000000000000000000000000000001	.	
DATE	DATE	THIRTY-ONE-PLACE IN .00000000000000000000000000000001	.	
DATE	DATE	THIRTY-TWO-PLACE IN .000000000000000000000000000000001	.	
DATE	DATE	THIRTY-THREE-PLACE IN .0000000000000000000000000000000001	.	
DATE	DATE	THIRTY-FOUR-PLACE IN .00000000000000000000000000000000001	.	
DATE	DATE	THIRTY-FIVE-PLACE IN .000000000000000000000000000000000001	.	
DATE	DATE	THIRTY-SIX-PLACE IN .0000000000000000000000000000000000001	.	
DATE	DATE	THIRTY-SEVEN-PLACE IN .00000000000000000000000000000000000001	.	
DATE	DATE	THIRTY-EIGHT-PLACE IN .000000000000000000000000000000000000001	.	
DATE	DATE	THIRTY-NINE-PLACE IN .0000000000000000000000000000000000000001	.	
DATE	DATE	FOURTY-PLACE IN .001	.	
DATE	DATE	FOURTY-ONE-PLACE IN .0001	.	
DATE	DATE	FOURTY-TWO-PLACE IN .001	.	
DATE	DATE	FOURTY-THREE-PLACE IN .0001	.	
DATE	DATE	FOURTY-FOUR-PLACE IN .001	.	
DATE	DATE	FOURTY-FIVE-PLACE IN .0001	.	
DATE	DATE	FOURTY-SIX-PLACE IN .001	.	
DATE	DATE	FOURTY-SEVEN-PLACE IN .0001	.	
DATE	DATE	FOURTY-EIGHT-PLACE IN .001	.	
DATE	DATE	FOURTY-NINE-PLACE IN .0001	.	
DATE	DATE	FIFTY-PLACE IN .001	.	



VIEW A-A
 42" TV-19" FRT & SW-SYS
 72H VCR W/REMOTE

- ③ WITH 72H VCR W/REMOTE.
- ② SEE WIRING INSTL-BODY AND OR WIRING INSTL-TV/VCR FRONT FOR ADDITIONAL INFORMATION.
- ① CABLE ASM-MARKED WITH COLORED TAPE.

NOTES:

79H ENTERTAINMENT CTR-INT

TITLE		126129	
WIRING INSTL-TV/VCR FRONT			
NO. OF SHEETS	TOT. SHEETS	DATE	REV. NO.
2	2		1